



## SPECIFICATION

**MODULE NO.: WF57FTLAFDNT0#**

### General Specifications

Item	Dimension	Unit
Size	5.7	inch
Dot Matrix	640 x RGBx480(TFT)	dots
Module dimension	127.14 x 100.94 x 9.0	mm
Active area	115.2 x 86.4	mm
Dot pitch	0.06 x 0.18	mm
LCD type	TFT, Normally White, Transmissive	
View Direction	6 o'clock	
Gray Scale Inversion Direction	12 o'clock	
Backlight Type	LED ,Normally White	
With /Without TP	With RTP	
Surface	Anti-Glare	

\*Color tone slight changed by temperature and driving voltage.

# Absolute Maximum Ratings

Item	Symbol	Min	Typ	Max	Unit
Power Supply for Logic	VCC-DGND	-0.3	—	7	V
Power Supply for Analog	AVDD-AGND	-0.3	—	13.5	V
Input Voltage	VI	-0.3	—	VDD+0.3	V
Operating Temperature	TOP	-20	—	+70	°C
Storage Temperature	TST	-30	—	+80	°C

# Electrical Characteristics

Operating conditions:

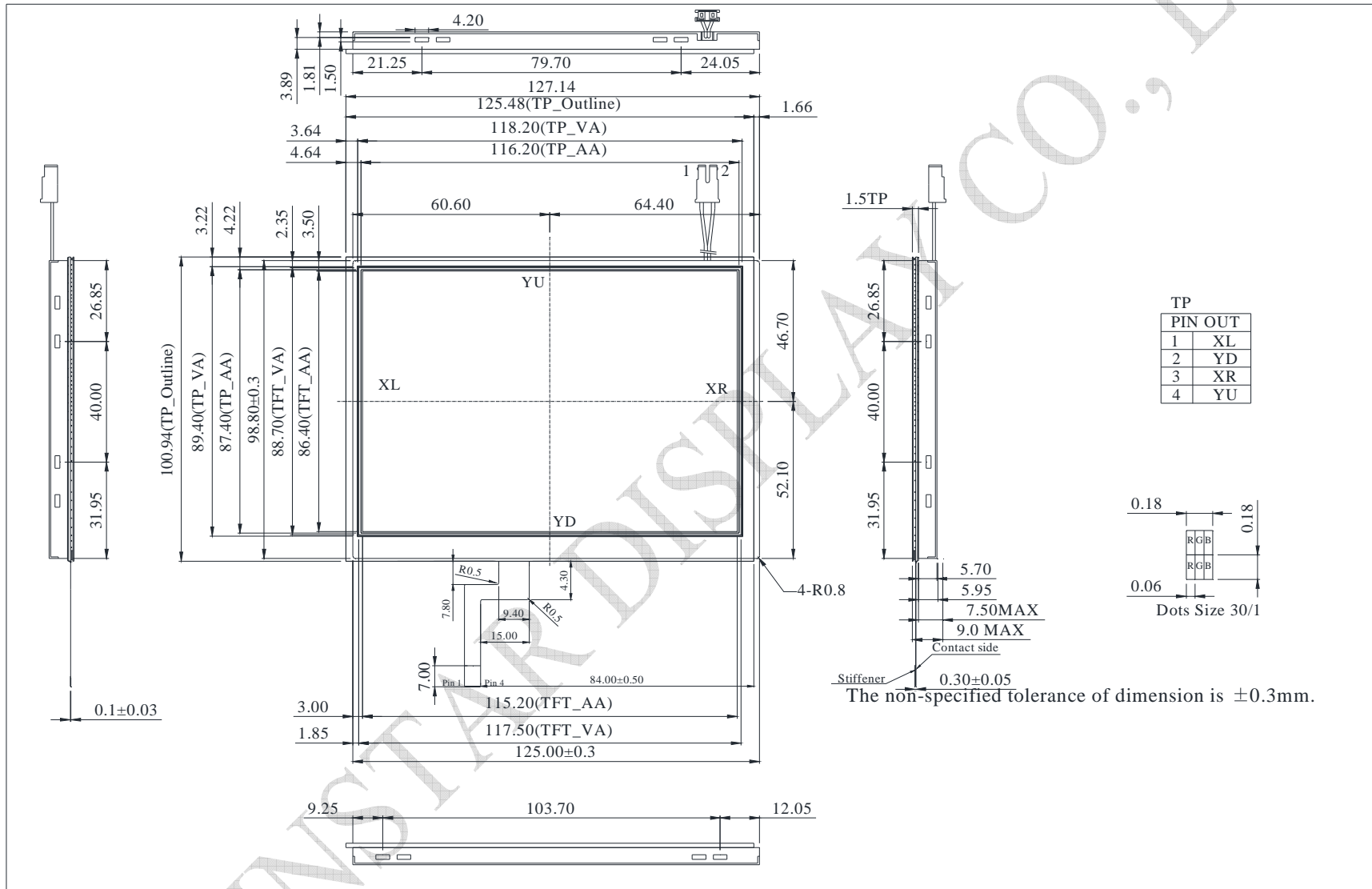
Item	Symbol	Condition	Min	Typ	Max	Unit
Supply Voltage For LCM	VCC	—	3.0	3.3	3.6	V
Supply Current For LCM	ICC	-	—	15	20	mA
Power Consumption	-	-	—	49.5	72	mW
Power Supply for Analog	AVDD	AVDD-AGND	—	10.0	—	V
Input Voltage	V <sub>IH</sub>	H Level	0.7VCC	—	VCC	V
	V <sub>IL</sub>	L Level	0	—	0.3VCC	V
Recommended LC Driving Voltage for 25°C	V <sub>GH</sub>	(Note)	—	15.0	—	V
	V <sub>GL</sub>		—	-10.0	—	V
	V <sub>COM</sub>		—	3.7	—	V

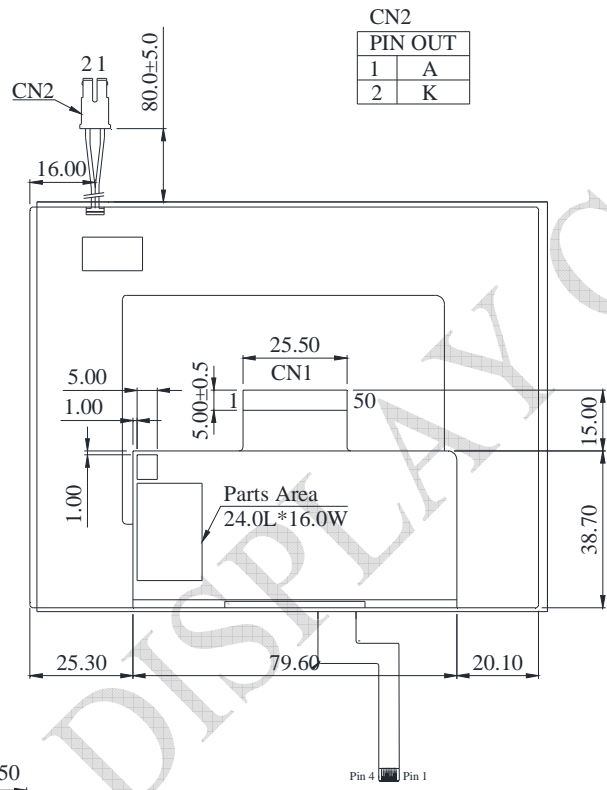
# Interface

Pin	Symbol	Function
1	DGND	Ground for digital circuit
2	VCC	Power Supply : +3.3V
3	VCC	Power Supply : +3.3V
4	DGND	Ground for digital circuit
5	VGL	Gate off power
6	DGND	Ground for digital circuit
7	VGH	Gate on power
8	DGND	Ground for digital circuit
9	UD	Up/down selection
10	LR	Left /right selection
11	SPENA	Chip select
12	SPCK	Serial Clock
13	SPDA	Serial Data
14	NC	No connect
15	DGND	Ground for digital circuit
16	B5	Blue Data bus
17	B4	Blue Data bus
18	B3	Blue Data bus
19	B2	Blue Data bus
20	B1	Blue Data bus
21	B0	Blue Data bus
22	NC(TOP)	No connection
23	NC(RIGHT)	No connection
24	DGND	Ground for digital circuit
25	G5	Green Data bit
26	G4	Green Data bit
27	G3	Green Data bit
28	G2	Green Data bit
29	G1	Green Data bit
30	G0	Green Data bit
31	NC(BOTTOM)	No connection
32	NC(LEFT)	No connection
33	AGND	Ground
34	AVDD	Analog power: 10V
35	AVDD	Analog power: 10V
36	AGND	Ground

37	R5	Red Data bit
38	R4	Red Data bit
39	R3	Red Data bit
40	R2	Red Data bit
41	R1	Red Data bit
42	R0	Red Data bit
43	DGND	Ground for digital circuit
44	DGND	Ground for digital circuit
45	DE	Data Enable input
46	CLK	Data Clock
47	HS	Horizontal sync input
48	VS	Vertical sync input
49	VCOM	VCOM driving input
50	DGND	Ground for digital circuit

# Contour Drawing





CN2

PIN OUT	
1	A
2	K

PIN NO.	SYMBOL	PIN NO.	SYMBOL
1	DGND	26	G4
2	VCC	27	G3
3	VCC	28	G2
4	DGND	29	G1
5	VGL	30	G0
6	DGND	31	NC
7	VGH	32	NC
8	DGND	33	AGND
9	UD	34	AVDD
10	LR	35	AVDD
11	SPENA	36	AGND
12	SPCK	37	R5
13	SPDA	38	R4
14	NC	39	R3
15	DGND	40	R2
16	B5	41	R1
17	B4	42	R0
18	B3	43	DGND
19	B2	44	DGND
20	B1	45	DE
21	B0	46	CLK
22	NC	47	HS
23	NC	48	VS
24	DGND	49	VCOM
25	G5	50	DGND

The non-specified tolerance of dimension is  $\pm 0.3\text{mm}$ .