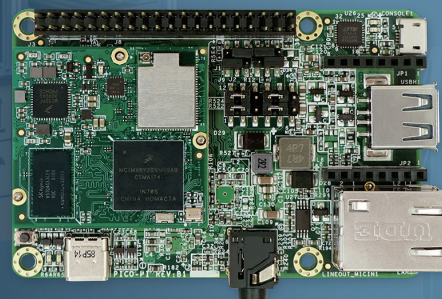


PICO-PI-IMX6UL/ULL

- NXP i.MX 6UL/ULL applications processor
- Low Power Cortex-A7 processor
- Linux Mainline Support
- Certified Wi-Fi 5 and Bluetooth LE



Specifications

Core System

Processor	NXP i.MX6ULL NXP i.MX6UL
Architecture	ARM Cortex-A7
PMIC	NXP PF3000
Memory	512MB DDR3L
Storage	4GB eMMC
Board-to-Board Connector	PICO 70-pin Hirose connectors
System on Module	PICO SOM
Debug Interface	Micro USB debug

Connectivity

Network LAN	1x Micrel KSZ8081RNBCA Fast Ethernet LAN
Wi-Fi	Qualcomm Atheros QCA9377 Wi-Fi 5 – 802.11 a/b/g/n/ac
Bluetooth	Qualcomm Atheros QCA9377 Bluetooth
Antenna	MHF4 connector

Signaling

I/O	RMII RGB TTL USB USB OTG I ² S CAN	UART SPI I ² C PWM GPIO
-----	--------------------------------------------------------------	------------------------------------------------

Video

GPU Engine	Image re-sizing / rotation / overlay and CSC Pixel Processing Pipeline
------------	------------------------------------------------------------------------------

Audio

Audio Codec	NXP SGT15000
Audio Interface	I ² S (1 channel)
Audio Connectors	CTIA compliant 3.5mm audio jack

Power Specifications

Power Input	5V over USB Type C
Power Consumption	Depending on Configuration
Power Connector	USB OTG (Type-C)

Operation Systems

Standard Support	Linux Yocto
------------------	----------------

Environmental and Mechanical

Dimensions	85(W) x 56(H) x 19.4(D) mm
Relative Humidity	10 to 90 %
MTBF	50,000 Hours
Shock	15G half-sine 11 ms duration
Operation Temperature	Commercial: 0° to +60° C
Vibration	1 Grms random 5-500Hz hr/axis
Weight	50 grams

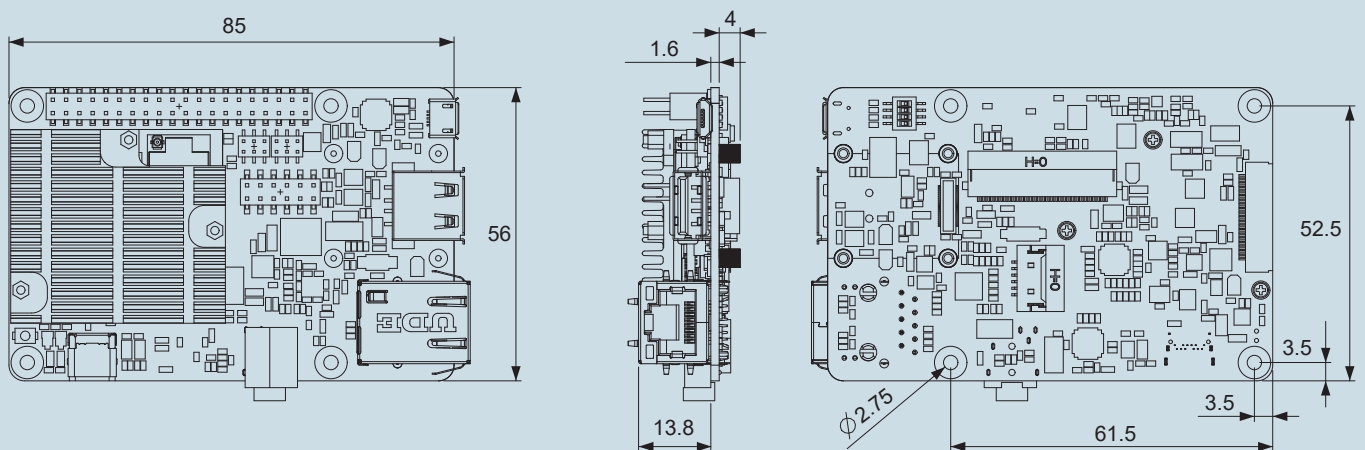
External Connectors

Network	1x RJ45
USB	1x USB 2.0 Host 1x USB 2.0 OTG (Type-C)
Buttons	1x Reset

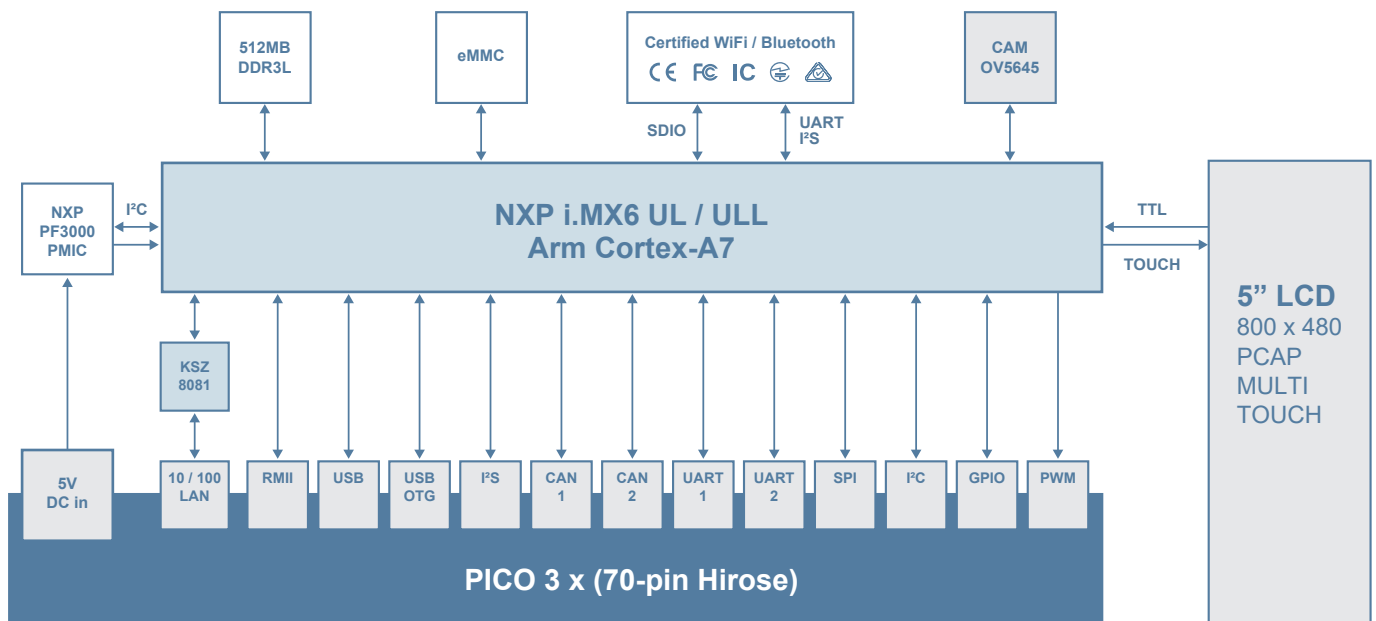
Certification and Compliance

USA	FCC ID: 2AKZA-QCA9377
Canada	IC: 22364-QCA9377
European Union	EN 300 328 v2.2.2 EN 301 893 v2.1.1 EN 55032 / EN 55024
Japan	TELEC: 201-180629
Australia/New Zealand	RCM Compliant
Bluetooth Logo	QDID 150839 (Bluetooth 4.2) QDID 193238 (Bluetooth 5)
Certification	Compliant with RoHS / REACH directives

Dimensions (units in mm)



Block Diagram



Ordering Information

PICO-PI-IMX6UL

Android Things Development Board based around NXP i.MX6 UltraLite applications processor.

