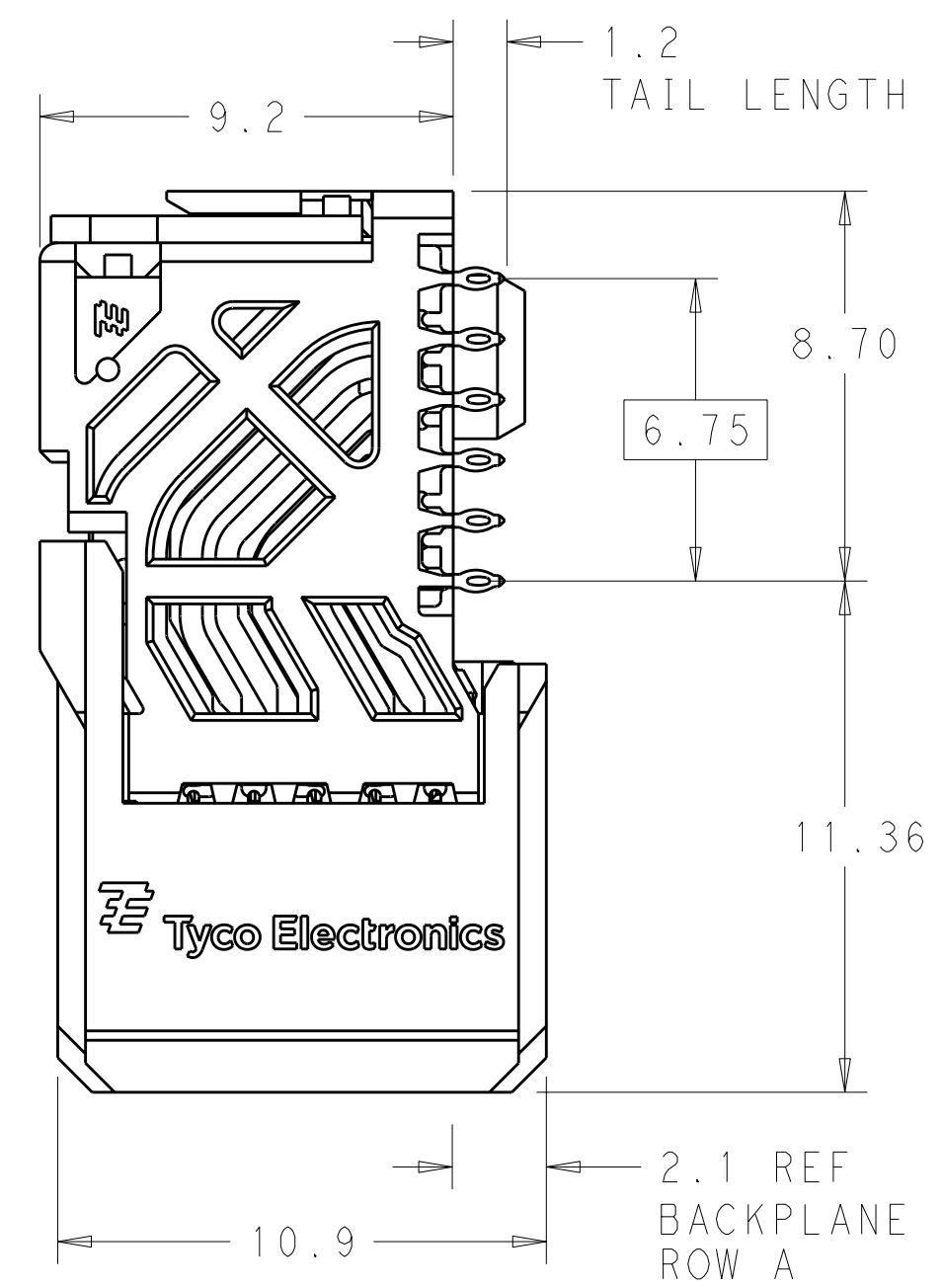
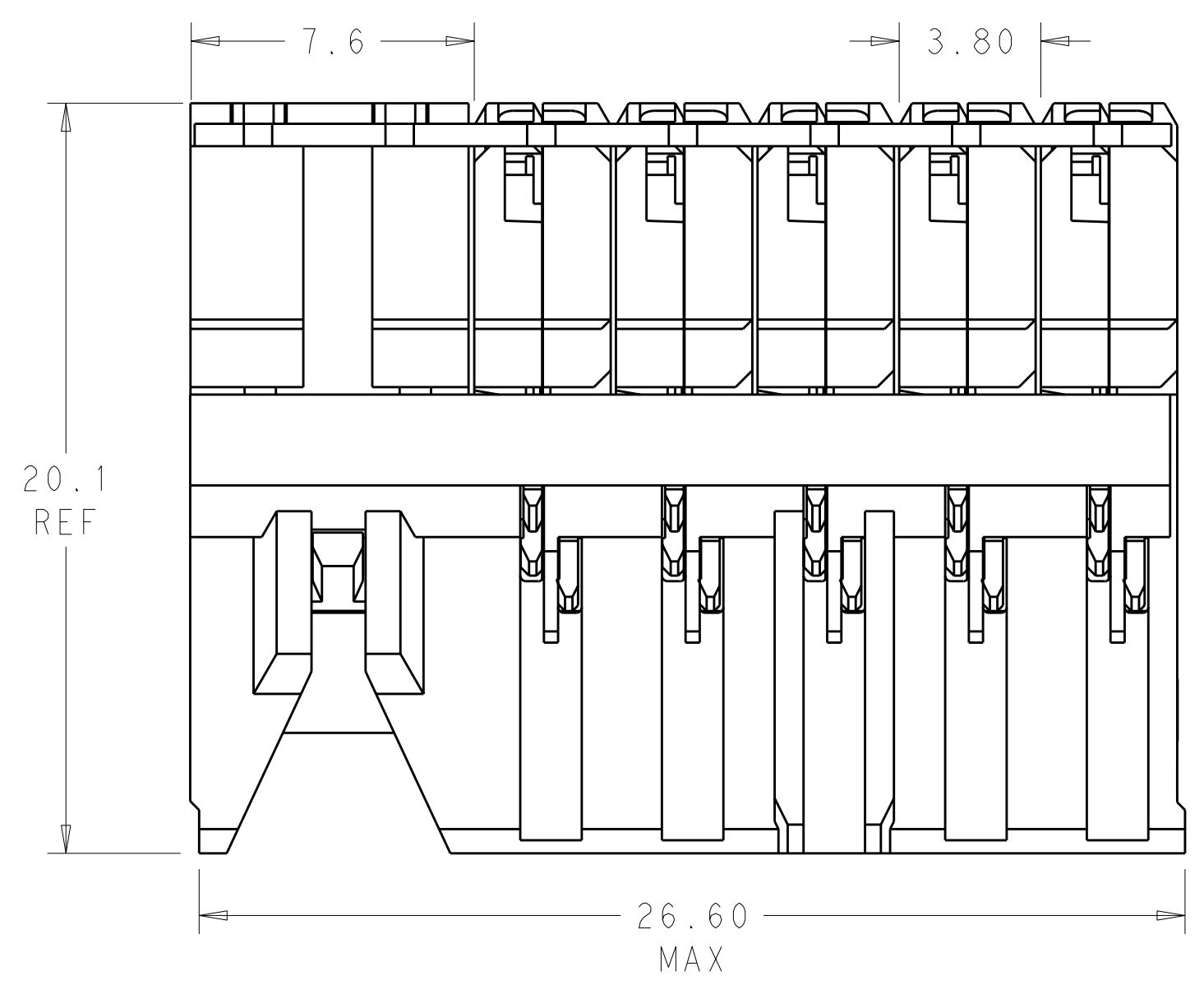
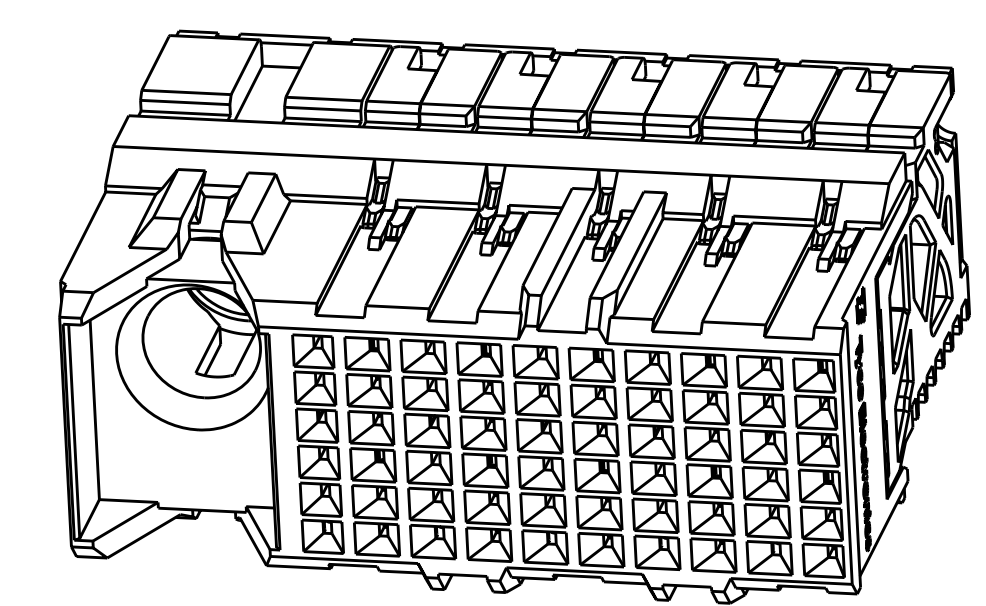


LOC		DIST		REVISIONS			
AD	00	P	LTN	DESCRIPTION	DATE	DWN	APVD
		B		REVISED PER ECO-12-000416	14JAN2012	KH	DD

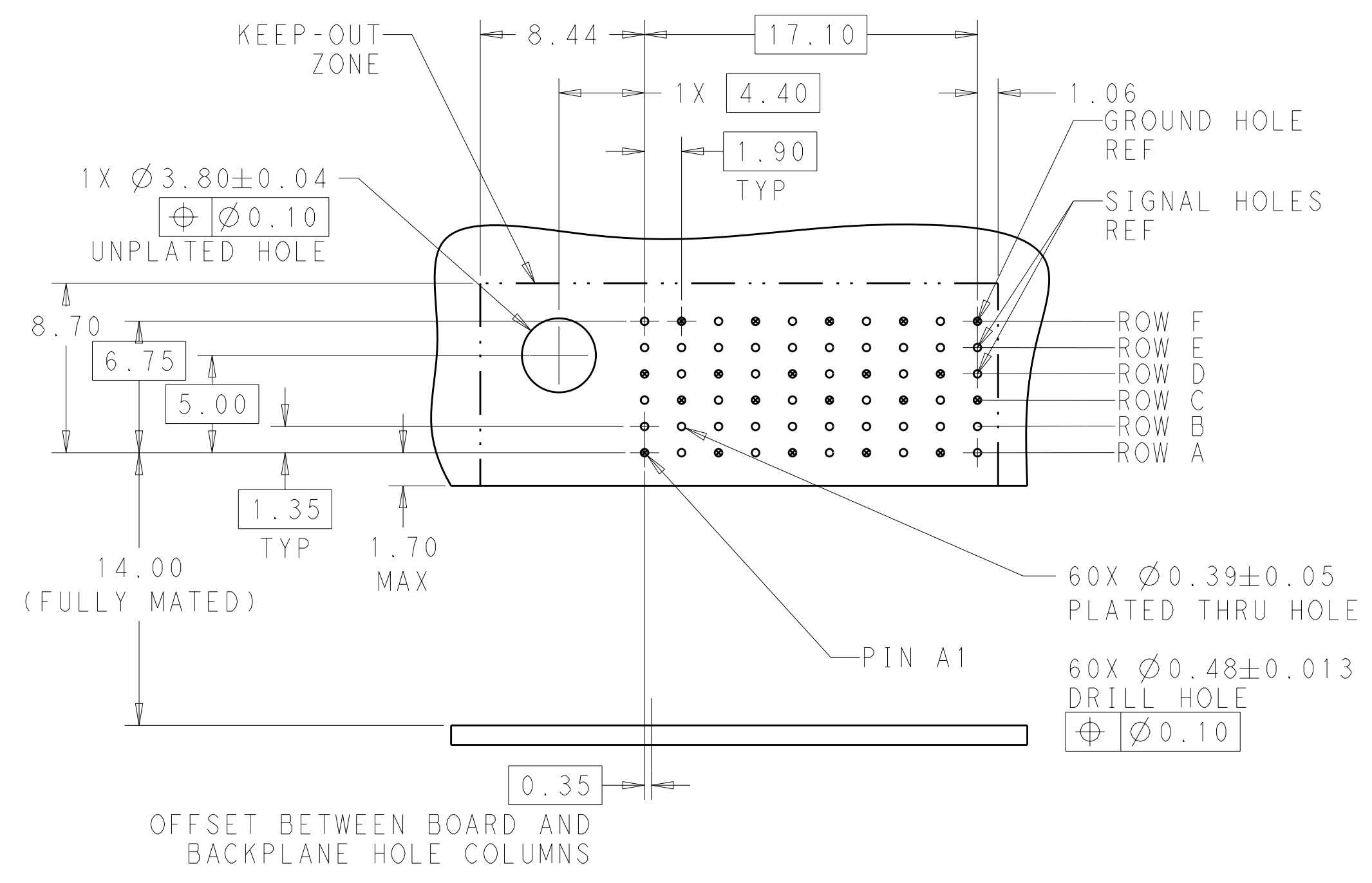
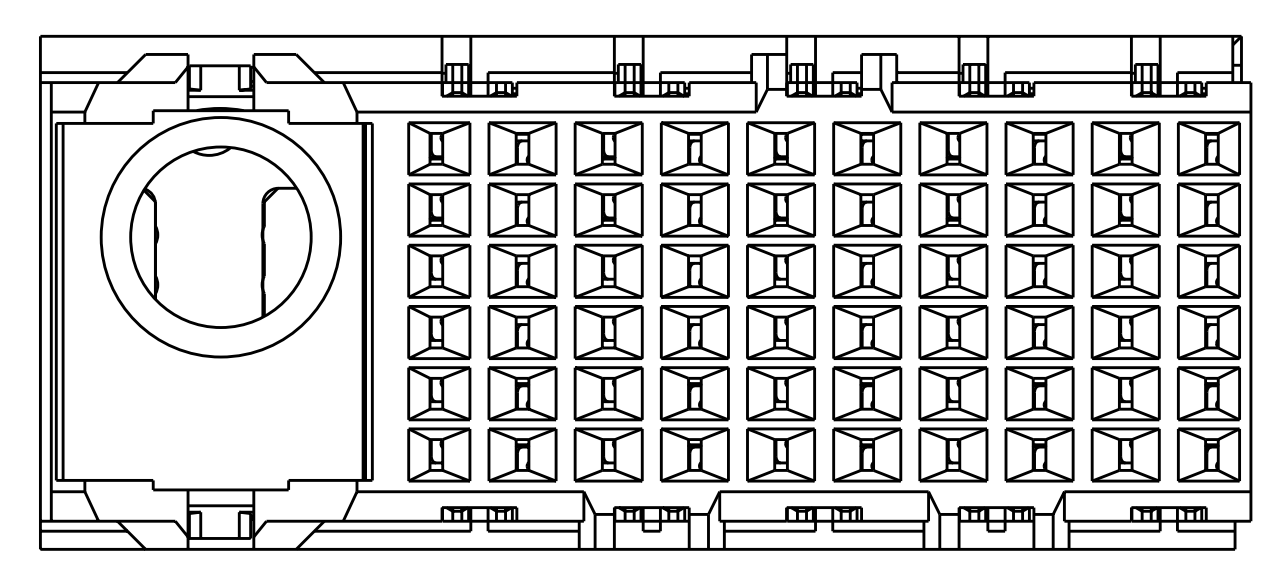


- 1 MATERIAL:
HOUSING: LCP, GLASS FILLED, UL94V-0.
TERMINALS: HIGH PERFORMANCE COPPER ALLOY.
- 2 FINISH:
30 μ" SELECTIVE GOLD IN CONTACT AREA. SELECTIVE TIN ON PCB TAILS, NICKEL OVERALL.
- 3 FINISH:
30 μ" SELECTIVE GOLD IN CONTACT AREA. SELECTIVE TIN-LEAD ON PCB TAILS, NICKEL OVERALL.
- 4. CONNECTORS SUPPLIED WITH MOUNTING SCREWS



SCALE 4:1

REFER TO WWW.TE.COM FOR PRODUCT AVAILABILITY



NONE	3	2057403-5
NONE	2	2057403-1
KEY POSITION	FINISH	PART NUMBER

THIS DRAWING IS A CONTROLLED DOCUMENT.		DWN Z. MILLER 19AUG2010	TE Connectivity	
DIMENSIONS: mm		CHK D. DIXON 19AUG2010	NAME MPACT, STD, R/A, 2 PAIR, 10 COLUMN, DAUGHTERCARD, LEFT GUIDED SIGNAL MODULE, 0.39 EYELET	
TOLERANCES UNLESS OTHERWISE SPECIFIED: 9 PLC ± 1 PLC ±0.2 5 PLC ±0.10 4 PLC ± ANGLES ±		APVD D. DIXON 19AUG2010	PRODUCT SPEC	
MATERIAL		FINISH SEE TABLE	APPLICATION SPEC	
MATERIAL		FINISH	WEIGHT	
MATERIAL		FINISH	CUSTOMER DRAWING	
MATERIAL		FINISH	SCALE 6:1 SHEET 1 OF 1 REV B	