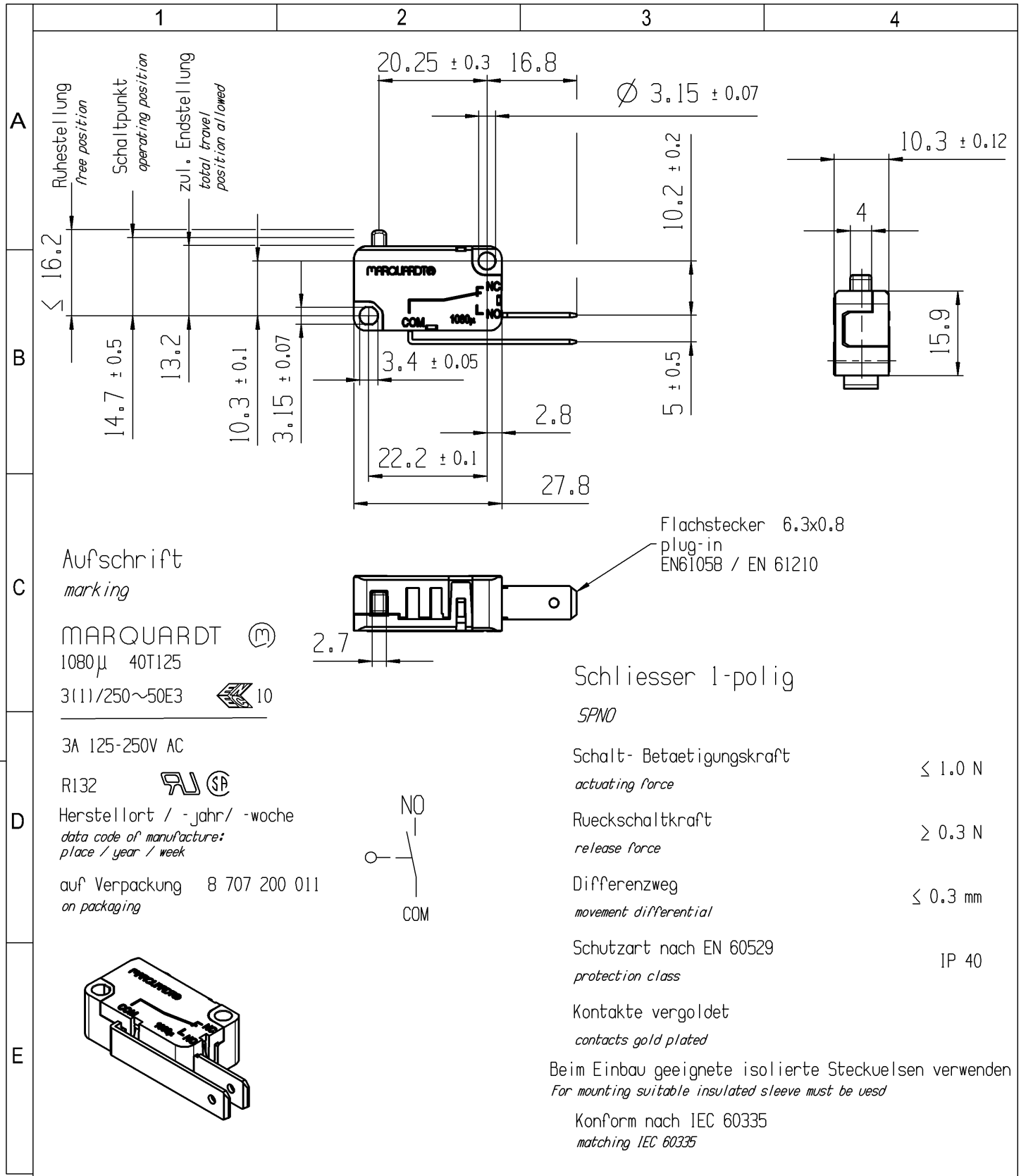


CONFIDENTIAL

VERTRAULICH

Alle Rechte bei Marquardt, auch fuer den Fall von Schutzrechtsanmeldungen. Jede Veruegungsbefugnis, wie Kopier- und Weitergaberecht, bei uns.

THIS DRAWING IS THE EXCLUSIVE PROPERTY OF MARQUARDT. WITHOUT THEIR CONSENT IT MAY NOT BE REPRODUCED OR GIVEN TO THIRD PARTIES.



-	-	8 707 200 011	1080.0585-XX							
Figure	Type	Customer No.	Art.No.-PI							
General tolerances										
All dimensions are in millimetres	Shape and location ⊙ ≡	Angle ± 2 °	Edge tolerance 	Length	Radii	Sheet 01	Ident. K	Document number 10800585	Index h	
				0-6	± 0.1					± 0.2
				>6-15	± 0.15					± 0.3
				>15-30	± 0.2					± 0.5
				>30-70	± 0.3					± 10%
				>70-120	± 0.4					
>120	± 0.8									
h	123519	2019-08-07	GAIEDB	Format DIN A4	Projection 	Scale 1:1	snap action switch			
g	116666	2017-09-15	TRIGUIK							System NX V11.0
f	63606	2009-07-10	MTR							
e	60742	2008-10-27	MP	Replacement of Zg.gl.Nr.v.15.12.1995			 MARQUARDT			
Index	MEC-No.	Date (YYYY-MM-DD)	Edited by							