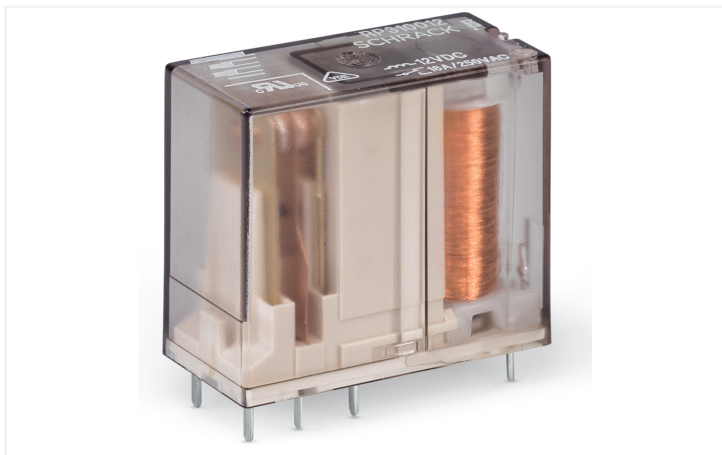


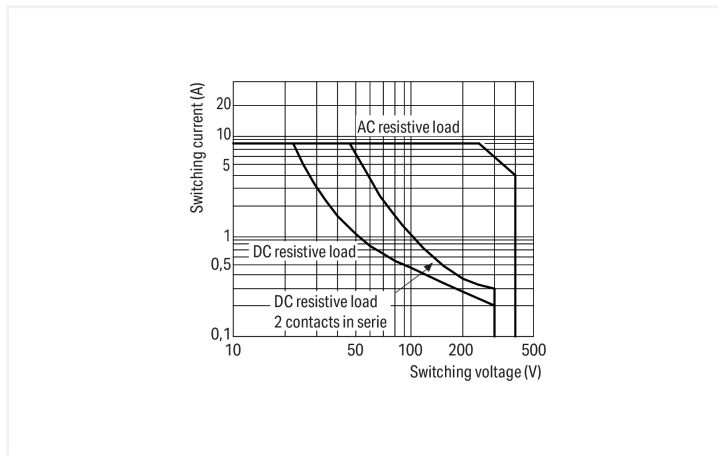
## Data Sheet | Item Number: 788-946

Basic relay; Nominal input voltage: 24 VAC; 2 changeover contacts; Limiting continuous current: 8 A; with manual operation; Module width: 13 mm

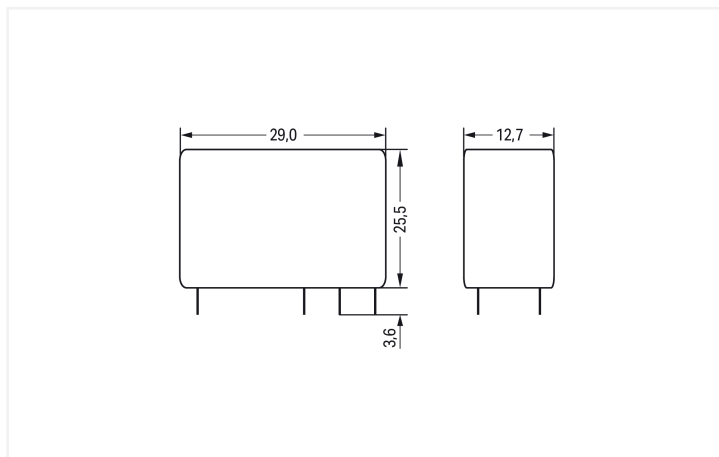
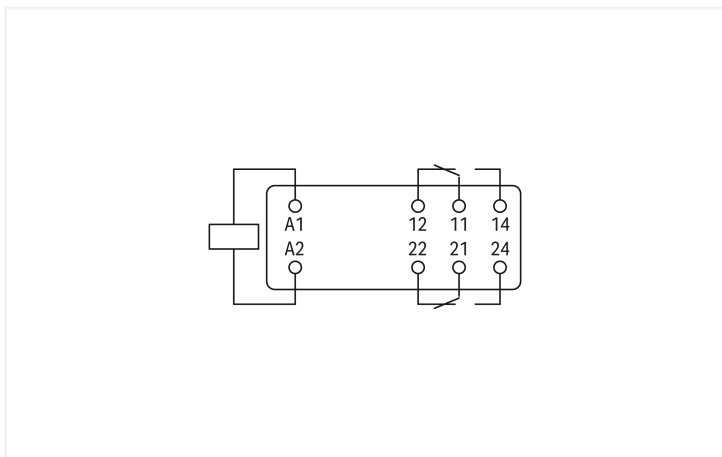
<https://www.wago.com/788-946>



Similar to illustration



Load limit curve



Dimensions in mm

### Technical data

#### Control circuit

Nominal input voltage $U_N$	24 VAC
Nominal input current at $U_N$	31.6 mA

#### Load circuit

Number of changeover/switchover contacts	2
Contact material (relay)	AgNi
Limiting continuous current	8 A
Inrush current (resistive) max.	(AC) 12 A
Switching Voltage, Max.	250 VAC
Switching power (resistive) max.	AC 2000 VA; DC (see load limit curve)
Switching capacity	AC-15: 1.5 A / 240 VAC; DC-13: 1 A / 24 VDC
Recommended minimum load	12 V / 10 mA
Pull-in time (typ.)	15 ms
Drop-out time (typ.)	8 ms
Bounce time (typ.)	7 ms
Electrical life (NO; resistive load; 23 °C)	10 x 10 <sup>3</sup> switching operations
Mechanical life	5 x 10 <sup>6</sup> switching operations

### Load circuit

Switching frequency with/without load (max.)	6 min <sup>-1</sup> / 300 min <sup>-1</sup>
--	---

### Signaling

Status indicator	Mechanical
------------------	------------

### Safety and protection

Dielectric strength (control/load circuit) (AC, 1 min)	5 kVrms
Dielectric strength (open contact) (AC, 1 min)	1 kVrms
Dielectric strength (load/load circuit) (AC, 1 min)	2.5 kVrms

### Physical data

Width	12.7 mm / 0.5 inches
Height from the surface	25.5 mm / 1.004 inches
Depth	29 mm / 1.142 inches

### Mechanical data

Mounting type	Pluggable module
---------------	------------------

### Material data

Note (material data)	<a href="#">Information on material specifications can be found here</a>
Weight	14.8 g

### Environmental requirements

Ambient temperature (operation at U <sub>N</sub> )	-40 ... +70 °C
Ambient temperature (storage)	-40 ... +85 °C

### Standards and Specifications

Standards/specifications	EN 61810-1
--------------------------	------------

### Commercial data

PU (SPU)	8 pcs
Packaging type	Box
Country of origin	DE
GTIN	4055143693325
Customs tariff number	85364900990

### Product Classification

UNSPSC	39122334
ETIM 9.0	EC001437
ETIM 10.0	EC001437
ECCN	NO US CLASSIFICATION

### Environmental Product Compliance

RoHS Compliance Status

Compliant, No Exemption

### Downloads

#### Environmental Product Compliance

##### Compliance Search

Environmental Product  
Compliance 788-946

