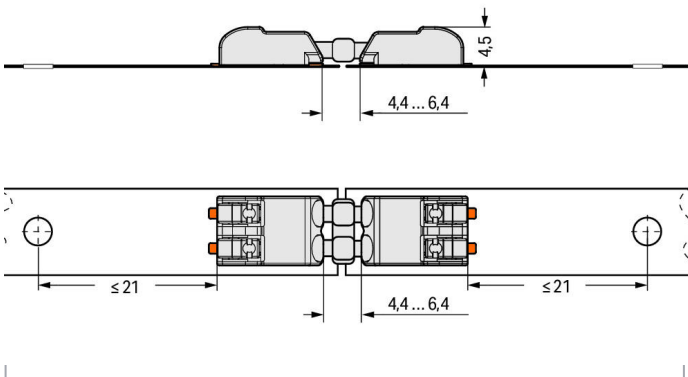
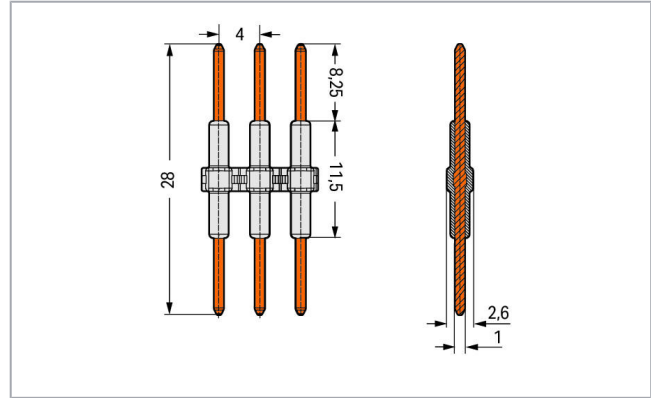
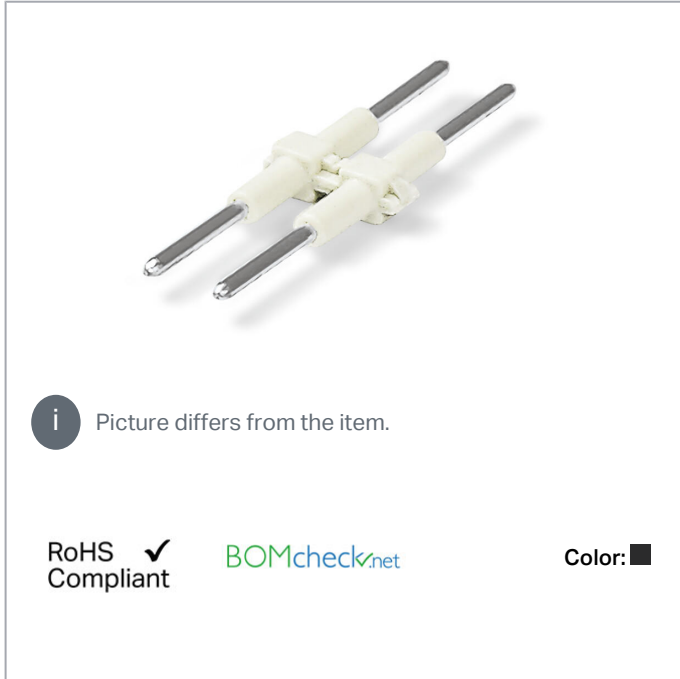


Data sheet | Item number: 2060-952/028-004

Board-to-Board Link; Pin spacing 4 mm; 2-pole; Length: 28 mm; black

[www.wago.com/2060-952/028-004](http://www.wago.com/2060-952/028-004)



Item description

- Board-to-board links simplify LED module assembly
- Easy push-in connection and disconnection

Recommendation:

Subject to changes. Please also observe the further product documentation!

WAGO Kontakttechnik GmbH & Co. KG  
Hansastr. 27  
32423 Minden  
Phone: +49571 887-0 | Fax: +49571 887-169  
Email: [info.de@wago.com](mailto:info.de@wago.com) | Web: [www.wago.com](http://www.wago.com)

Do you have any questions about our products?  
We are always happy to take your call at 01788 568 008.

Nur geeignet für 2060-45x, nicht für 2060-40x

## Data

### Electrical data

#### Ratings per IEC/EN

Ratings per	IEC/EN 60664-1
Nominal voltage (III/3)	63 V
Rated surge voltage (III/3)	2.5 kV
Rated voltage (III/2)	160 V
Rated surge voltage (III/2)	2.5 kV
Nominal voltage (II/2)	320 V
Rated surge voltage (II/2)	2.5 kV
Rated current	9 A
Legend (ratings)	(III / 2) $\triangleq$ Overvoltage category III / Pollution degree 2

#### Ratings per UL

Rated voltage UL 1977	250 V
Rated current UL 1977	9 A

#### Connection data

Pole No.	2
Total number of potentials	2

#### Physical data

Pin spacing	4 mm / 0.157 inch
Width	7.4 mm / 0.291 inch
Height	2.6 mm / 0.102 inch
Depth	28 mm / 1.102 inch

#### Mechanical data

Mating cycles (max.)	10
Number of mating cycles	max. 10 connections/disconnections
Suitable	for SMD PCB terminal blocks (2060 Series)

Subject to changes. Please also observe the further product documentation!



## Material data

Color	black
Material group	I
Insulation material	Polyamide (PA66)
Flammability class per UL94	V0
Contact material	Copper alloy
Contact plating	silver-plated
Weight	0.5 g

## Environmental requirements

Limit temperature range	-60 ... +105 °C
-------------------------	-----------------

## Commercial data

Packaging type	BOX
Country of origin	CN
GTIN	4055143959940
Customs tariff number	85369010000

## Downloads

### Documentation

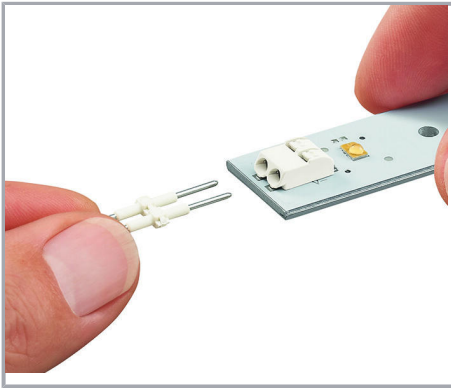
#### Additional Information

Technical explanations	3. 4. 2019	pdf 2.0 MB	Download
------------------------	------------	---------------	----------

## Installation Notes

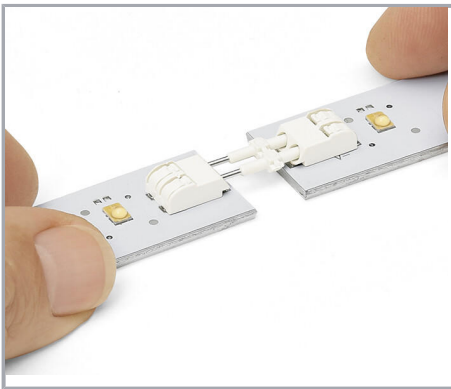
### Installation

Subject to changes. Please also observe the further product documentation!



Inserting a board-to-board link into the terminal block.

#### Installation

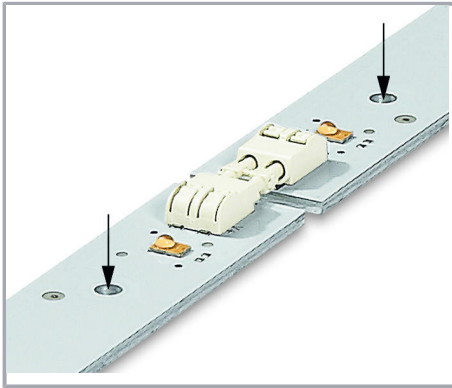


Assembly: Place PCBs on a flat surface and connect terminal blocks on adjoining PCBs via board-to-board link.

Disassembly: Pull PCBs apart (max. 10 mating cycles).

#### Installation

Subject to changes. Please also observe the further product documentation!



The PCBs must be secured.

Subject to changes. Please also observe the further product documentation!