

THIS DRAWING IS UNPUBLISHED.

RELEASED FOR PUBLICATION

2009

© COPYRIGHT 2009 BY -

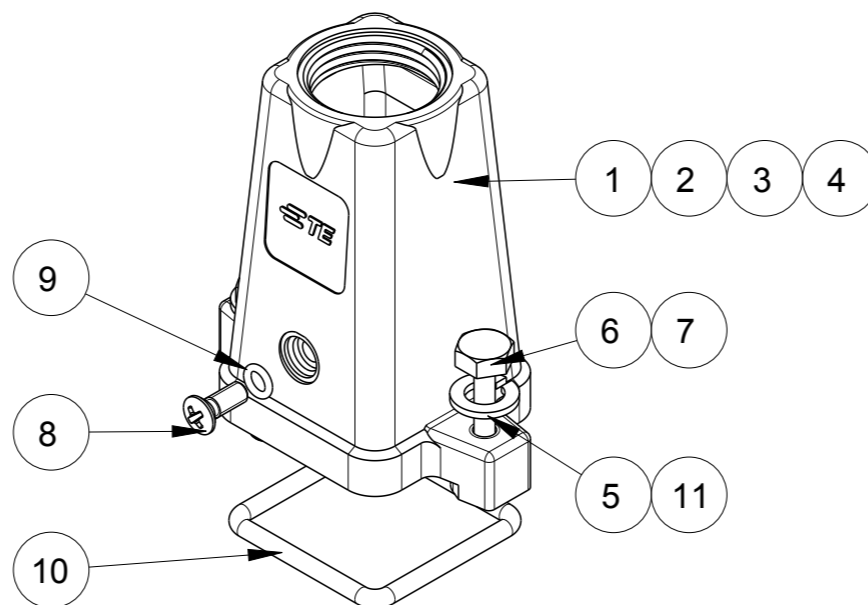
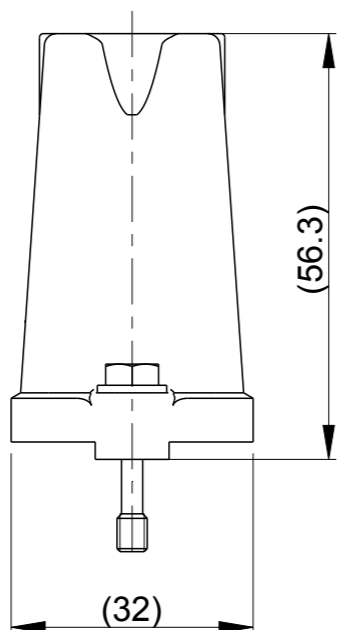
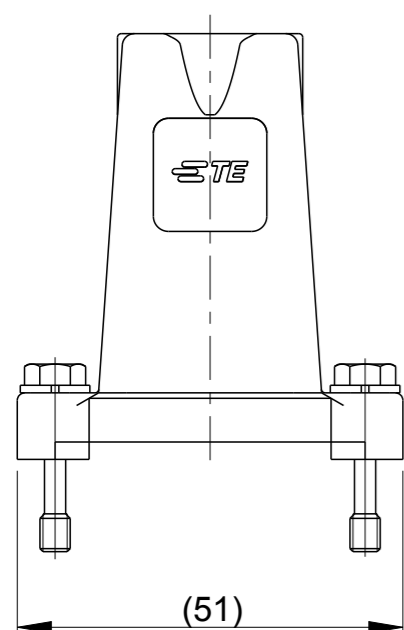
ALL RIGHTS RESERVED.

REVISIONS

P	LTR	DESCRIPTION	DATE	DWN	APVD
A13		ECR-10-009363	29APR2010	RO	BR
B		ECR-16-001855	29FEB2016	GCM	JB
C		ECR-16-014579	25APR2016	GCM	JB
C1		ECR-17-014011	16JAN2018	RSM	MKO

Notes

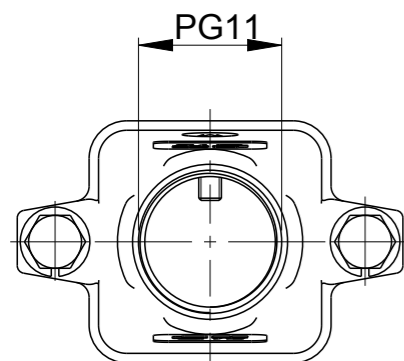
- 1 SUITABLE HOUSINGS: SERIES EMV, SIZE 1
CUSTOMER DRAWING 1102703, 1102702
- 2 STANDARDS: DIN EN 61984, DIN EN 60664-1
- 3 CHROMIT AL TCP PASSIVATION
- 4 TOOLS: PHILLIPS SCREWDRIVER PH1
HEXAGON SCREWDRIVER 7mm
- 5 VARNISH ON INSIDE AREA NOT NECESSARY
- 6 PACKAGING: 10 SETS IN A CARTON, PRE-MOUNTED



PN 0-3 AS SHOWN


OBSOLETE

0-1102700-5	EMV-K.3/4.STO.1.11.G
0-1102700-4	EMV.3/4.STO.1.11.G
0-1102700-1	EMV-K.3/4.STO.1.11.G
4-1102700-5	EMV.3/4.STO.1.11.G
3-1102700-5	EMV-K.3/4.STO.1.11.G
PART NO.	ORDERING TEXT



0-5	0-4	0-1	4-5	3-5	DESCRIPTION	MATERIAL	COLOR/SURFACE	NOTE	ITEM
2	2	2	-	-	WASHER, PLAIN	STAINL. STEEL	BLANK	A4, DIN EN ISO 7989, 200HV (V4A)	11
-	-	-	-	-	O-RING	FKM	BLACK	28x2.5 din 3771	10
1	1	1	1	1	O - RING	NBR	BLACK	3.0x1.0	9
1	1	1	1	1	SCREW COUNTERSUNK RAISED HEAD	STAINL. STEEL	V2A	M3x8 PH1 DIN EN ISO 7047	8
2	2	2	-	-	SCREW, HEXAGON BOLT	STAINL. STEEL	BLANK	M4x22 DIN EN ISO 7964, RED. SHUNK (V4A)	7
-	-	-	2	2	SCREW, HEXAGON BOLT	STAINL. STEEL	BLANK	M4x22 DIN EN ISO 7964, REDUCED SHUNK	6
-	-	-	2	2	WASHER, PLAIN	STAINL. STEEL	BLANK	A4, DIN EN ISO 7989, 200HV	5
-	-	-	-	-	CONNECTOR HOUSING	ALU ALLOY	BLACK Δ_3	SERIES EMV-K WE LOGO	4
-	-	1	-	-	CONNECTOR HOUSING	ALU ALLOY	SILVER Δ_3	SERIES EMV-K	3
1	-	-	1	-	CONNECTOR HOUSING	ALU ALLOY	BLACK Δ_3	SERIES EMV-K	2
-	1	-	-	1	CONNECTOR HOUSING	ALU ALLOY	GREY	SERIES EMV	1

PARTS LIST (PER ONE UNIT)

THIS DRAWING IS A CONTROLLED DOCUMENT.		DWN V.GLUMM 18AUG2009	 TE Connectivity	CONNECTOR HOUSING ASS'Y, TOP ENTRY SERIES EMV, SIZE 1 STEEL CONDUIT THREAD			
DIMENSIONS: mm		CHK H.Braun 18AUG2009					
TOLERANCES UNLESS OTHERWISE SPECIFIED:		APVD T.Schnurpfeil 18AUG2009					
0 PLC ±- 1 PLC ±- 2 PLC ±- 3 PLC ±- 4 PLC ±- ANGLES ±1°		PRODUCT SPEC 108-74036					
MATERIAL		FINISH	APPLICATION SPEC 114-74017	SIZE A3	CAGE CODE 00779	DRAWING NO C-1102700	RESTRICTED TO
CUSTOMER DRAWING			WEIGHT	SCALE 1:1	SHEET 1 OF 1	REV C1	