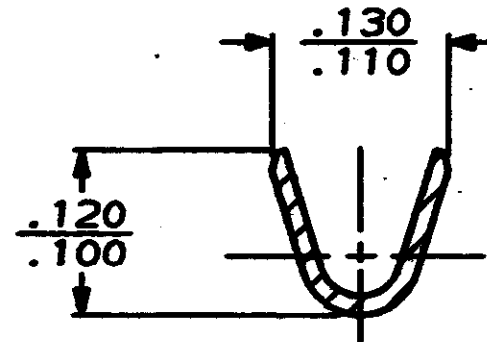
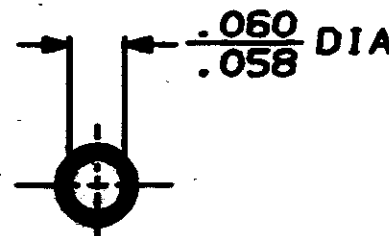
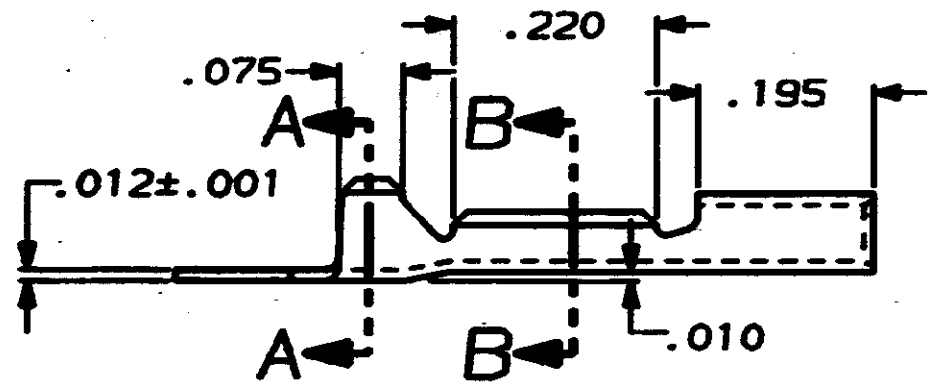
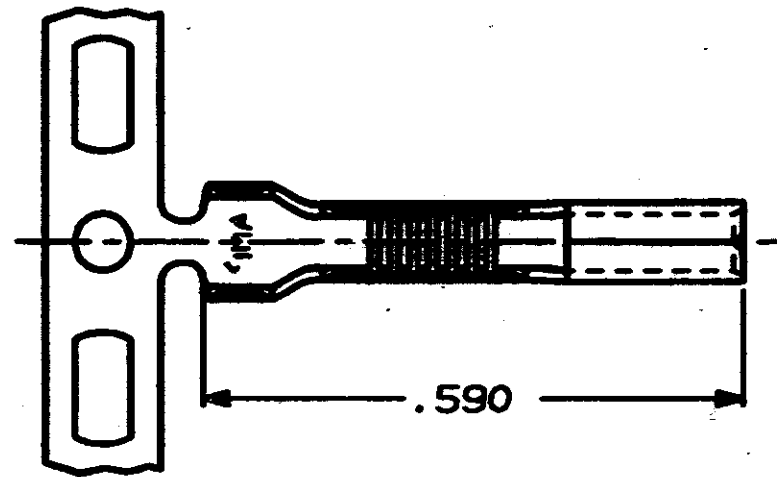
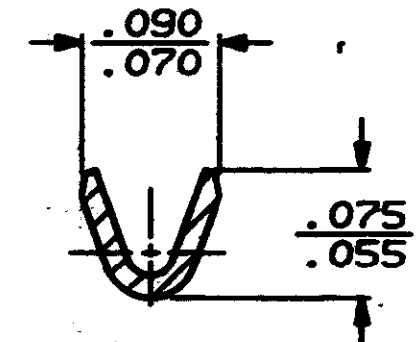


LOC	DIST	P	F	ZONE	LTR	REVISIONS	DATE	APPD
AF	50				A	REV AF-5787, RELEASE PER FASR	12/7/88	(Signature)

1 CONTINUOUS STRIP ON REELS



SECTION A-A  
SCALE 8:1



SECTION B-B  
SCALE 10:1

TYPE	WIDTH	STRIP LENGTH	TYPE	WIDTH	HEIGHT	WIRE	INSULATION RANGE	MAGNET WIRE RANGE	PART NO	
F	.100	.260	F	.055	.041	22	.040-.060	29-22	63506-1	
					.038	24				
					.037	26				
					.035	28				
					.035	29				
INSUL BARREL CRIMP		±.015	WIRE BARREL CRIMP		±.002					
#4 HARD BRASS FINISH: TIN PL .000080 MIN							DR: P. FORTNEY 7/6/88	<b>AMP</b> AMP INCORPORATED Harrisburg, Pa. 17105		
MATERIAL: #4 HARD BRASS FINISH: TIN PL .000080 MIN							CHK: MS FEHER 7/8/88			
							APPD: D DECKER 7/8/88	RECEPTACLE, PIN, .062 DIA		
							APPD: TL SHUTTER 7/8/88			
							PRODUCT SPEC: -	SIZE: <b>B</b>	PSCH NO: 00779	DRAWING NO: 63506
							APPLICATION SPEC: -	SCALE: 5:1	SHEET: 1 OF 1	
							WEIGHT: -			