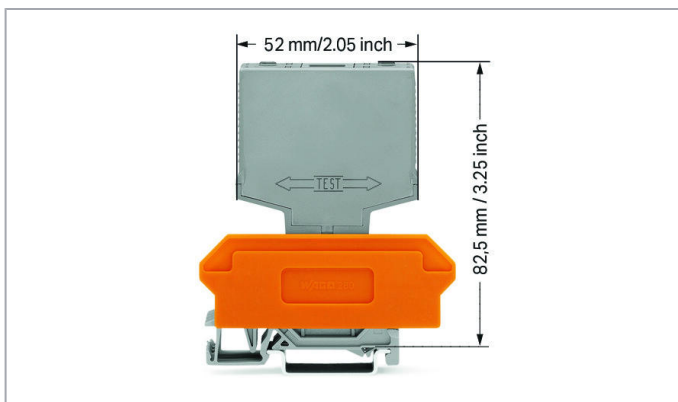
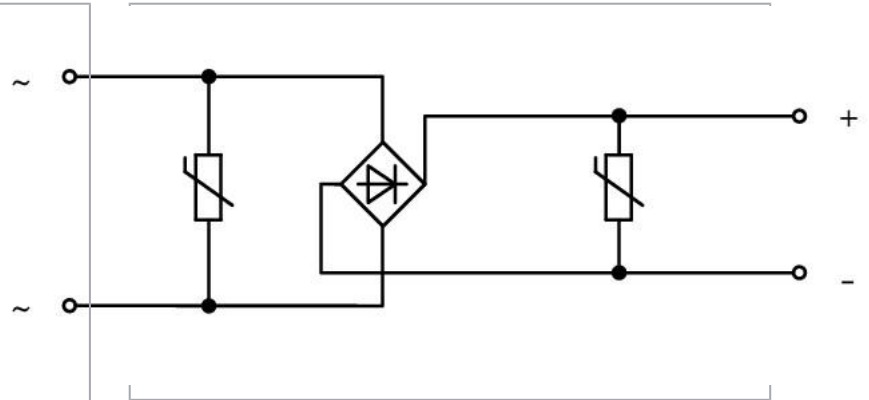
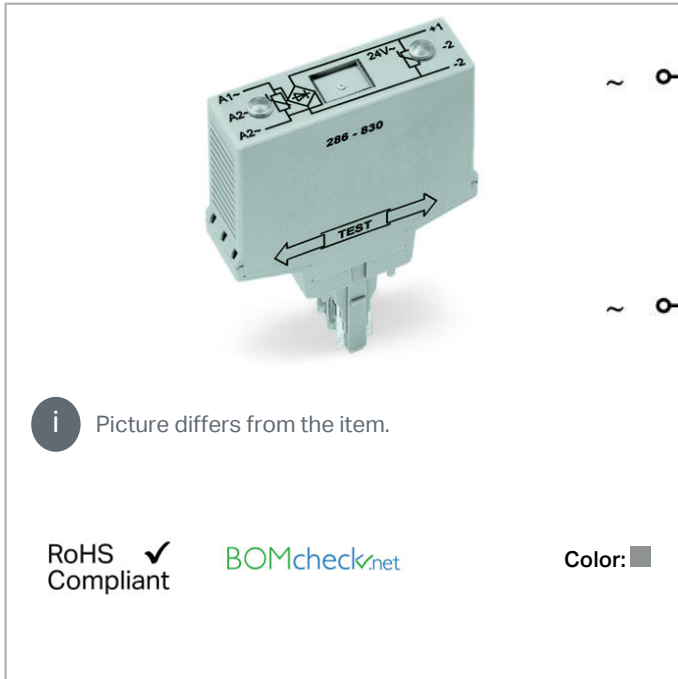


## Data sheet | Item number: 286-840

Bridge rectifier module; Input voltage: 250 VAC; with varistor protective circuit; gray

[www.wago.com/286-840](http://www.wago.com/286-840)



### Data

#### Electrical data

Nominal operating voltage	AC 230 V
Operating voltage	≤ AC 250 V
Nominal current	1 A
Switch-on capacity	< 500 μF

Subject to changes. Please also observe the further product documentation!

WAGO Kontakttechnik GmbH & Co. KG  
Hansastr. 27  
32423 Minden  
Phone: +49571 887-0 | Fax: +49571 887-169  
Email: [info.de@wago.com](mailto:info.de@wago.com) | Web: [www.wago.com](http://www.wago.com)

Do you have any questions about our products?  
We are always happy to take your call at +49 (571) 887-44222.

## Physical data

Width	15 mm / 0.591 inch
Height from upper-edge of DIN-rail	82.5 mm / 3.25 inch
Depth	52 mm / 2.047 inch

## Mechanical data

Mounting type	Pluggable module for receptacle terminal blocks
Housing design	Plug for carrier terminal blocks

## Material data

Color	gray
Fire load	0.315 MJ
Weight	22 g

## Environmental requirements




Surrounding air temperature (operation)	-25 ... 40 °C
Relative humidity	5 ... 95 % (no condensation permissible)
Operating altitude (max.)	2000 m

## Commercial data

Product Group	6 (Interface Electronics)
Packaging type	BOX
Country of origin	DE
GTIN	4045454739676
Customs tariff number	85363010900

## Compatible products

### General accessories

	<b>Item no.: 280-609</b> Terminal block for pluggable modules; 6-pole; with 4-conductor terminal blocks; with orange separator; <a href="http://www.wago.com/280-609">www.wago.com/280-609</a> for DIN-rail 35 x 15 and 35 x 7.5; 2.5 mm <sup>2</sup> ; CAGE CLAMP®; 2,50 mm <sup>2</sup> ; gray
	<b>Item no.: 280-619</b> Terminal block for pluggable modules; 6-pole; with 2-conductor terminal blocks; with orange separator; <a href="http://www.wago.com/280-619">www.wago.com/280-619</a> for DIN-rail 35 x 15 and 35 x 7.5; 2.5 mm <sup>2</sup> ; CAGE CLAMP®; 2,50 mm <sup>2</sup> ; gray
	<b>Item no.: 280-763</b> Terminal block for pluggable modules; 6-pole; with 4-conductor terminal blocks; with marker carrier; <a href="http://www.wago.com/280-763">www.wago.com/280-763</a> with orange separator; for DIN-rail 35 x 15 and 35 x 7.5; 2.5 mm <sup>2</sup> ; CAGE CLAMP®; 2,50 mm <sup>2</sup> ; gray

Subject to changes. Please also observe the further product documentation!

### Marking accessories

	<b>Item no.: 209-701</b> WSB marking card; as card; not stretchable; plain; snap-on type; white	<a href="http://www.wago.com/209-701">www.wago.com/209-701</a>
	<b>Item no.: 209-701/000-002</b> WSB marking card; as card; not stretchable; plain; snap-on type; yellow	<a href="http://www.wago.com/209-701/000-002">www.wago.com/209-701/000-002</a>
	<b>Item no.: 209-701/000-005</b> WSB marking card; as card; not stretchable; plain; snap-on type; red	<a href="http://www.wago.com/209-701/000-005">www.wago.com/209-701/000-005</a>
	<b>Item no.: 209-701/000-006</b> WSB marking card; as card; not stretchable; plain; snap-on type; blue	<a href="http://www.wago.com/209-701/000-006">www.wago.com/209-701/000-006</a>
	<b>Item no.: 209-701/000-007</b> WSB marking card; as card; not stretchable; plain; snap-on type; gray	<a href="http://www.wago.com/209-701/000-007">www.wago.com/209-701/000-007</a>
	<b>Item no.: 209-701/000-012</b> WSB marking card; as card; not stretchable; plain; snap-on type; orange	<a href="http://www.wago.com/209-701/000-012">www.wago.com/209-701/000-012</a>
	<b>Item no.: 209-701/000-017</b> WSB marking card; as card; not stretchable; plain; snap-on type; light green	<a href="http://www.wago.com/209-701/000-017">www.wago.com/209-701/000-017</a>
	<b>Item no.: 209-701/000-023</b> WSB marking card; as card; not stretchable; plain; snap-on type; green	<a href="http://www.wago.com/209-701/000-023">www.wago.com/209-701/000-023</a>
	<b>Item no.: 209-701/000-024</b> WSB marking card; as card; not stretchable; plain; snap-on type; violet	<a href="http://www.wago.com/209-701/000-024">www.wago.com/209-701/000-024</a>

### Downloads

#### Documentation

##### Bid Text

286-840 X81 - Datei	19. 2. 2019	xml 3.1 kB	Download
------------------------	-------------	---------------	----------

286-840 doc - Datei	2. 4. 2015	doc 24.6 kB	Download
------------------------	------------	----------------	----------

##### Instruction Leaflet

pdf Download

Subject to changes. Please also observe the further product documentation!



1.3 MB

---

### Additional Information

Disposal; Electrical and electronic equipment, Packaging	V 1.0.0	pdf 265.8 kB	Download
--	---------	-----------------	----------

---

### CAD/CAE-Data

#### CAE data

WSCAD Universe 286-840	URL	Download
------------------------	-----	----------

---

### Environmental Product Compliance

#### Compliance Search

Environmental Product Compliance 286-840 Bridge rectifier module; Input voltage: 250 VAC; with varistor protective circuit; gray	URL	Download
---	-----	----------

---

### Installation Notes

Subject to changes. Please also observe the further product documentation!