

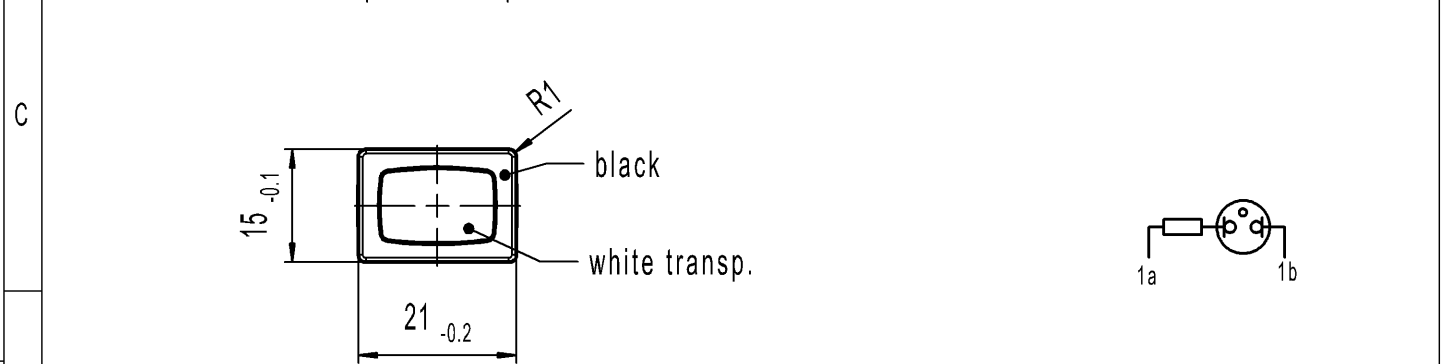
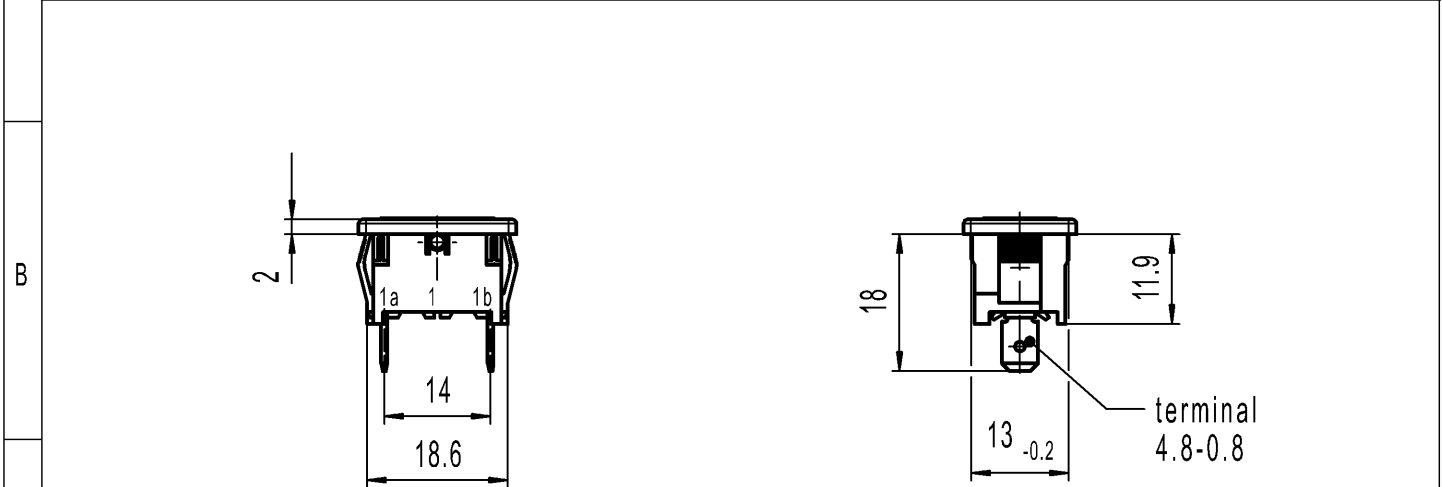
CONFIDENTIAL

VERTRAULICH

THIS DRAWING IS THE EXCLUSIVE PROPERTY OF MARQUARDT. WITHOUT THEIR CONSENT IT MAY NOT BE REPRODUCED OR GIVEN TO THIRD PARTIES.

Alle Rechte bei Marquardt, auch fuer den Fall von Schutzrechtsanmeldungen. Jede Veruegungsbefugnis, wie Kopier- und Weitergaberecht, bei uns.

A	recommended cut-out for snap-in fixing (edge opposite to snap-in direction)	1	2	3	4
		0.75 to 1.25	19.2-0.1	12.9+0.1	
		1.25 to 2	19.4-0.1	12.9+0.1	
		2 to 3	19.8-0.1	12.9+0.1	



Pilot Light  
Neon lamp with Rv for 230V AC  
Suitable for appliances of class II

Marking

Ⓜ  
1807.  
230V ~ T85°C

230V AC

Code of manufacture: place/year/week

-	-	-	1807.1126-XX
Figure	Type	Customer Part No.	Art.No.-PI
Shape and location	Angle ± 2°	Sheet 01	Ident. K
	Edge tolerance	Format DIN A4	Document number 18071126
⊙ ≡		Projection	Index c
		Scale 1:1	Pilot Light
c	137893	All dimensions are in millimetres	
b	64492	System NX V1872	
a	47974	Replacement of	
	27460	Zg.gl.Nr.v.05.05.1999	
Index	MEC-No.	Date (YYYY-MM-DD)	Edited by

