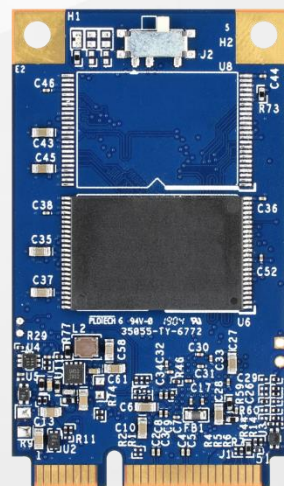


## The Most **Reliable** Storage For Industries

SH250-300



## SH250-300

### Overview

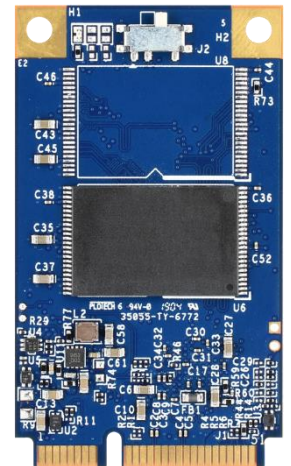
Apacer's SH250-300 is a well-balanced solid-state disk (SSD) drive with standard form factor and great performance. Designed in SATA 6.0 Gbps interface, the SSD is able to deliver exceptional read/write speed, making it the ideal companion for heavy-loading industrial or server operations.

SH250-300 utilizes 3D NAND for higher capacity up to 160GB and provides more power efficiency than 2D NAND. Appearing in SH250-300 mechanical dimensions, SH250-300 is believed to be the leading add-in storage solution for future host computing systems. Regarding reliability, SH250-300 is implemented with LDPC (Low Density Parity Check) ECC engine to extend SSD endurance and increase data reliability. With Apacer's SLC-liteX technology, SH250-300 performs with higher number of P/E cycles up to 30,000 times. Since it is operating under SATA 6.0 Gbps interface, SH250-300 is provided with Apacer latest S.M.A.R.T. that is primarily oriented for the latest SATA interface SSD, for drive lifetime monitoring and analysis. In addition, the drive comes with various implementations including powerful hardware ECC engine, power saving modes, wear leveling, flash block management, TRIM and DataDefender™.

In terms of security, Advanced Encryption Standard (AES) ensures data security and provide users with a peace of mind knowing their data is safeguarded against unauthorized use at all times. Furthermore, with End-to-End Data Protection, data integrity can be assured at multiple points in the path to enable reliable delivery of data transfers.

### Feature

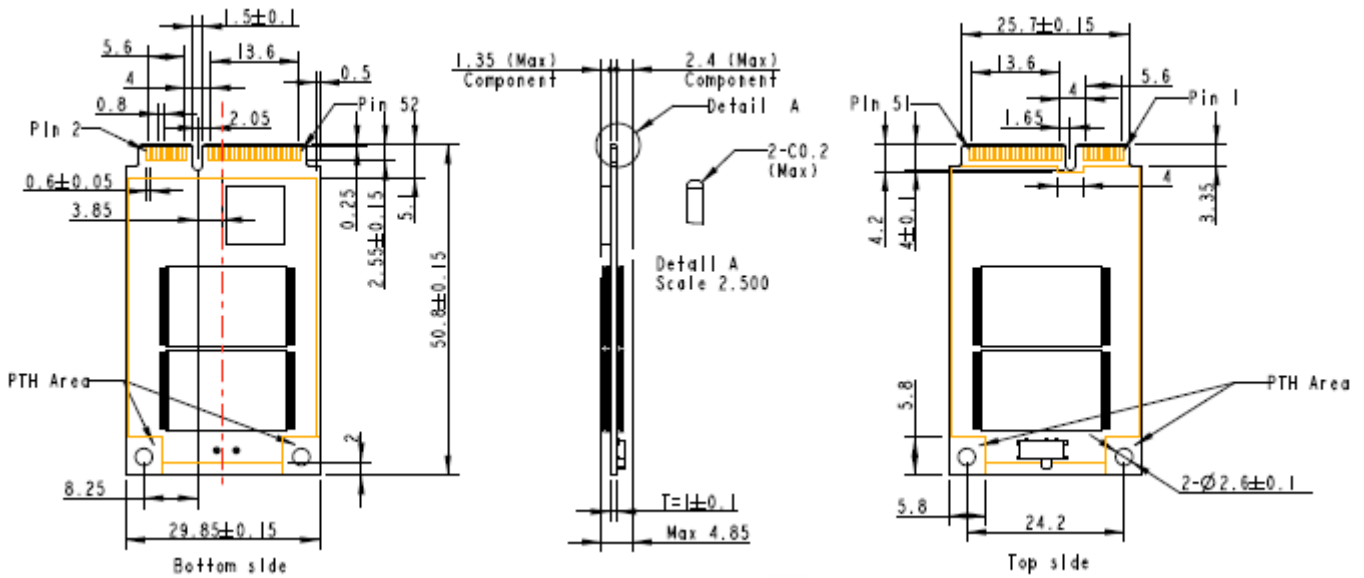
- Low-Density Parity-Check (LDPC) Code
- Global Wear Leveling
- Flash bad-block management
- Flash Translation Layer: Page Mapping
- S.M.A.R.T.
- DataDefender™
- DEVSLP
- ATA Secure Erase
- TRIM
- Hyper Cache Technology
- Over-Provisioning
- SMART Read Refresh™
- SLC-liteX



## Specifications

<b>Model</b>	SH250-300
<b>Interface</b>	SATA 3.2 (6Gb/s)
<b>Connector</b>	52-pin mSATA connector
<b>Form Factor</b>	JEDEC MO-300
<b>NAND Flash Type</b>	3D TLC
<b>Capacity</b>	10GB~160GB
<b>External DRAM</b>	No
<b>Sustained Read Performance (MB/sec)</b>	Up to 560
<b>Sustained Write Performance (MB/sec)</b>	Up to 520
<b>ECC Engine</b>	Low-Density Parity-Check (LDPC) Code
<b>IOPS (4K Random Write)</b>	75K
<b>Standard Operating Temperature ( °C )</b>	0 ~ + 70
<b>Extended Operating Temperature ( °C )</b>	-40 ~ + 85
<b>Storage Temperature ( °C )</b>	-40 ~ + 100
<b>Thermal Sensor</b>	Yes
<b>Shock</b>	Operation: 50G/11ms Non-operation: 1500G/0.5ms (compliant with MIL-STD-883K)
<b>Vibration</b>	Operation: 7.69 Grms, 20~2000 Hz/random (compliant with MIL-STD-810G) Non-operation: 4.02 Grms, 15 ~ 2000 Hz/sine (compliant with MIL-STD-810G)
<b>Operating Voltage</b>	3.3 V ±5%
<b>Power Consumption</b>	Active mode:415 mA / Idle mode: 65 mA
<b>Dimension (L x W x H )</b>	50.80 x 29.85 x 4.85 (mm)
<b>MTBF (hours)</b>	>1,000,000

## Mechanical Specification



Unit: mm

For more information,  
contact your Apacer representative

### Global Presence

Taiwan (Headquarters)  
Apacer Technology Inc.  
Tel: +886-2-2267-8000  
Fax: +886-2-2267-2261

Europe  
Apacer Technology B.V.  
Tel: +31-40-267-0000  
Fax: +31-40-290-0686

U.S.A.  
Apacer Memory America, Inc.  
Tel: +1-408-518-8699  
Fax: 1-510-249-9551

China  
Apacer Electronic(Shanghai)  
Co., Ltd.  
Tel: +86-21-6228-9939

Japan  
Apacer Technology Corp.  
Tel: +81-3-5419-2668  
Fax: +81-3-5419-0018

India  
Apacer Technologies Pvt. Ltd.  
Tel: +91-80-41529061~3  
Fax: +91-80-41700215