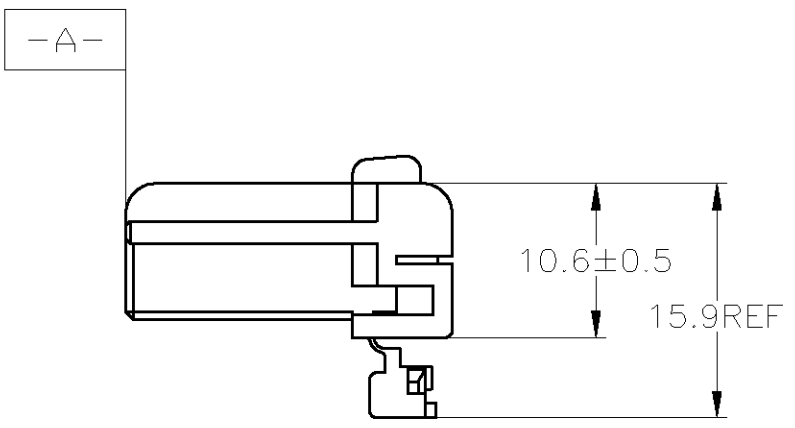
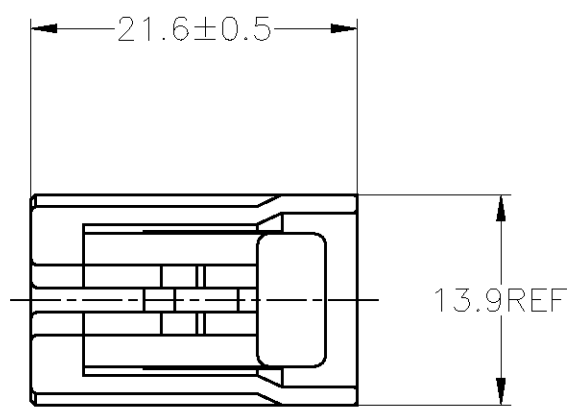
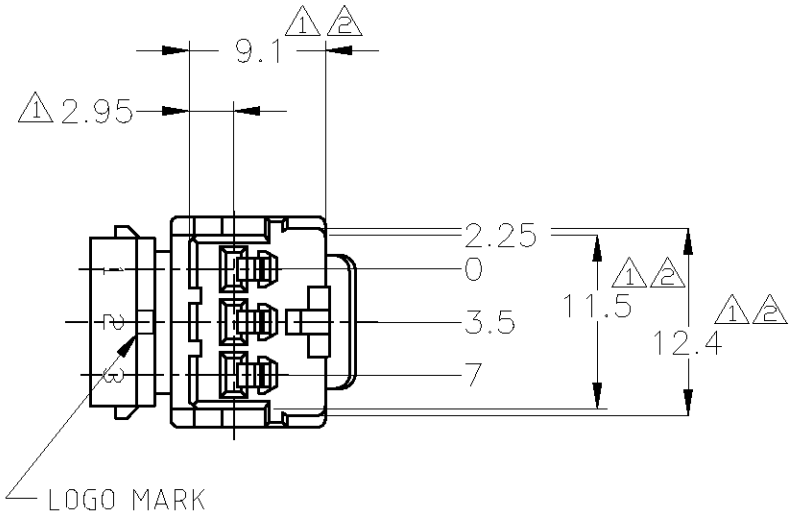


THIS DRAWING IS UNPUBLISHED. RELEASED FOR PUBLICATION  
 © COPYRIGHT - By - ALL RIGHTS RESERVED.

LOC	DIST	REVISIONS					
J	-	P	LTR	DESCRIPTION	DATE	DWN	APVD
		D3	REVISED	ECR-12-021403	12DEC2012	TS	KB



- △ -A- 面より2mmの範囲で測定
- △ 相手ハウジングと所定の機能を満足して嵌合できること
- 3. 内装するリセプタクルコンタクトは、型番173630及び173631
- △ TO BE MEASURED WITHIN 2mm FROM -A-
- △ TO BE MATE WITH CAP HOUSING SMOOTHLY
- 3. APPLICABLE RECEPTACLE CONTACT PART NUMBERS 173630, 173631

V-2	自然色 (NATURAL)	1-174921-1
HB	黄 (YELLOW)	174921-7
	灰 (GRAY)	174921-6
	青 (BLUE)	174921-5
	緑 (GREEN)	174921-4
	黒 (BLACK)	174921-2
	自然色 (NATURAL)	174921-1
使用材料難燃グレード (FLAMMABILITY OF MATERIAL)		色 (COLOR) 型番 (PART NUMBER)

THIS DRAWING IS A CONTROLLED DOCUMENT.

DIMENSIONS:	TOLERANCES UNLESS OTHERWISE SPECIFIED:
単位: 耗 mm	一般公差
0 PLC	± -
1 PLC	± -
2 PLC	± -
3 PLC	± -
4 PLC	± -
ANGLES	± -

一般公差
GENERAL TOLERANCE
0<* < 10 : ±0.2
10<* < 30 : ±0.25
30<* < 100 : ±0.3
ANGLES : ±3°

MATERIAL	FINISH
材料	仕上
PBT	-

DWN	S.FUJITA	15JUL08
CHK	T.SHINOHARA	15JUL08
APVD	K.BETSUI	15JUL08
PRODUCT SPEC	製品規格 108-5216, 5264	
APPLICATION SPEC	取付適用規格	
WEIGHT	1.9g	

TE Connectivity			
NAME 070 SERIES MULTILOCK CONNECTOR			
3 POSITION PLUG HOUSING			
SIZE	CAGE CODE	DRAWING NO	RESTRICTED TO
A3	00779	C-174921	-
CUSTOMER DRAWING		SCALE 2:1	SHEET 1 OF 1
		REV D3	