


# 2J7525B 2J7525M (DATASHEET)

<b>Type</b>	Combined antenna
<b>Frequencies</b>	ERMES (169 MHz) GPS (1575.42 MHz) GLONASS (1592 - 1610 MHz)
<b>Mounting</b>	B - Body Mount M – Magnetic Mount
<b>Revision</b>	00



  
P. Tipul

  
D. Noble



## 1. PRODUCT SELECTOR

- 2J7525B - Body mount version
- 2J7525M - Magnetic mount version

## 2. SPECIFICATION

### 2.1. Electrical Specifications

#### Navigation (Cable 1)

Frequencies	GPS (1575.42 MHz) GLONASS (1592 - 1610 MHz)
Impedance	50 Ohms
Noise figure	1.15 nominal
Polarization	RHCP
LNA Gain	26dB (3V) / 27dB (5V)
VSWR	<1.2:1
Voltage supply	2.7V - 5.5V
Current	15mA - 25mA
Power (max.)	138mW
Operating temperature	-40°C to +85°C

#### Smart Meter (Cable 2)

Frequencies	ERMES (169 MHz)
Impedance	50 Ohms
Polarization	VERTICAL
Gain	0dBi Max.
VSWR	<2:1
Operating temperature	-40°C to +85°C

### 2.2. Connection Specifications

Cable 1 (Navigation):

- Connector type: SMA
- Cable: RG174U
- Cable length: 250 cm

Cable 2 (Smart Meter):

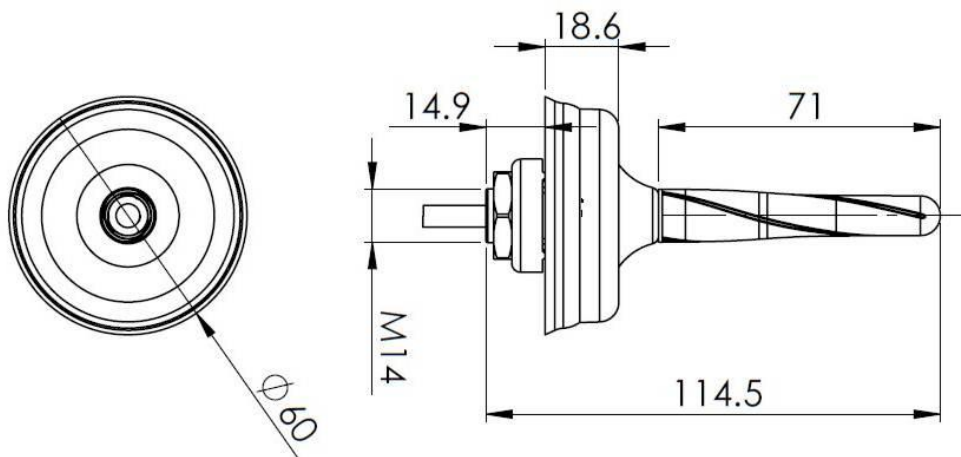
- Connector type: FME
- Cable: RG174U
- Cable length: 250 cm

For different cable length and connector type ask our sales team.

## 2.3. Mechanical Specifications and Dimensions

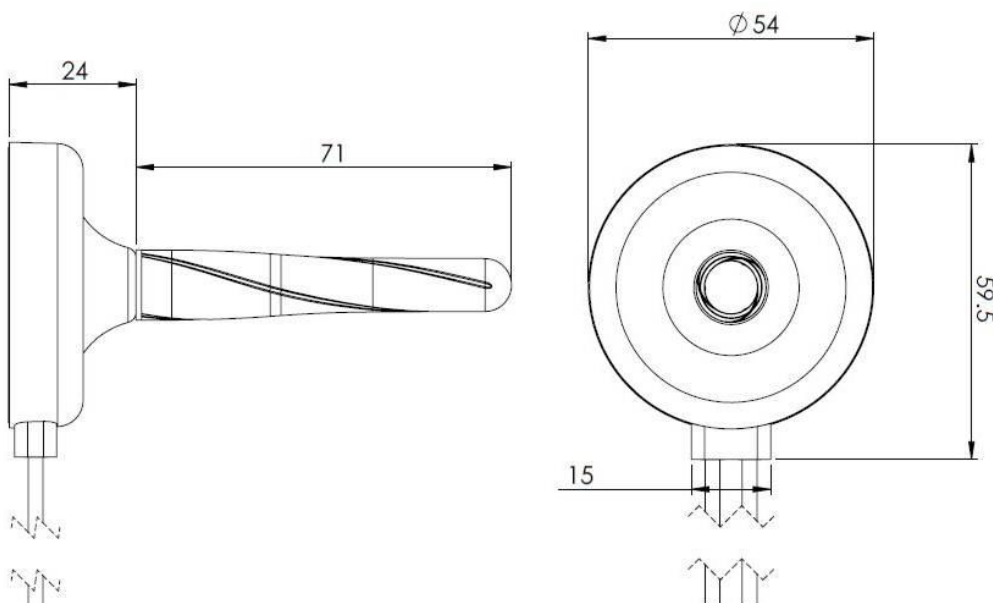
### 2.3.1. Body mount

Material: Base: Zamak / Lid: ABS / Whip: TPE / Gasket: TPE  
 Max. dimensions: 60mm x 114.5mm (D x H)  
 Colour: Black (for different colours please ask our sales team)



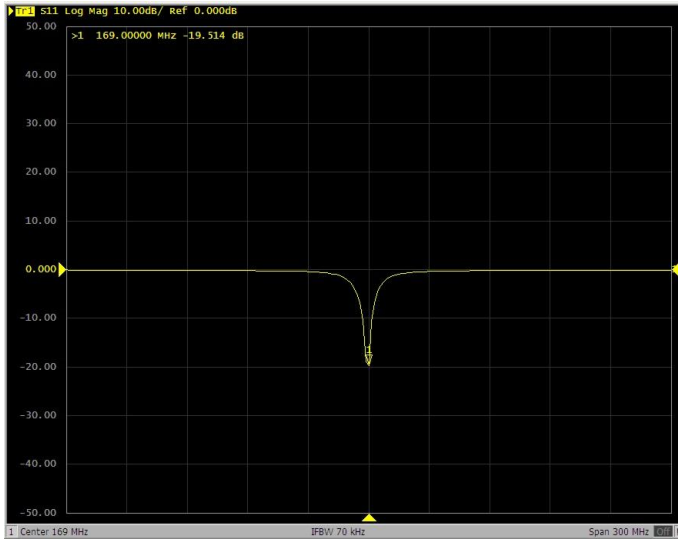
### 1.1.1. Magnetic mount

Material: Base: Zamak / Lid: ABS / Whip: TPE  
 Max. dimensions: 54mm x 95mm (D x H)  
 Colour: Black (for different colours please ask our sales team)



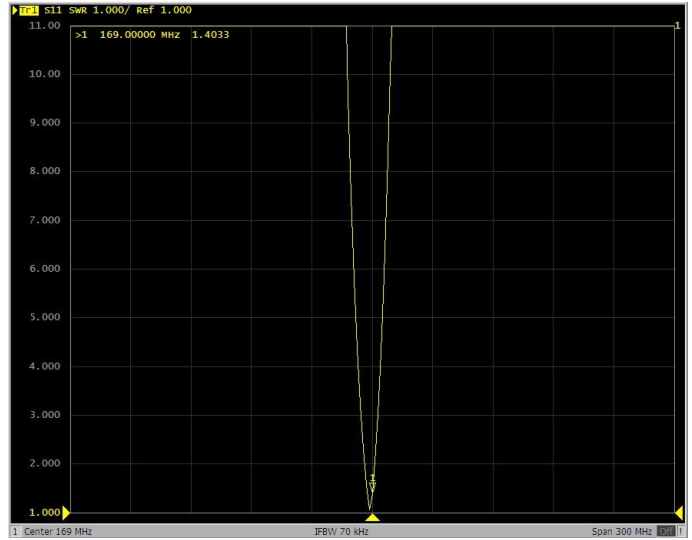
## 2. MEASUREMENT

Log Mag



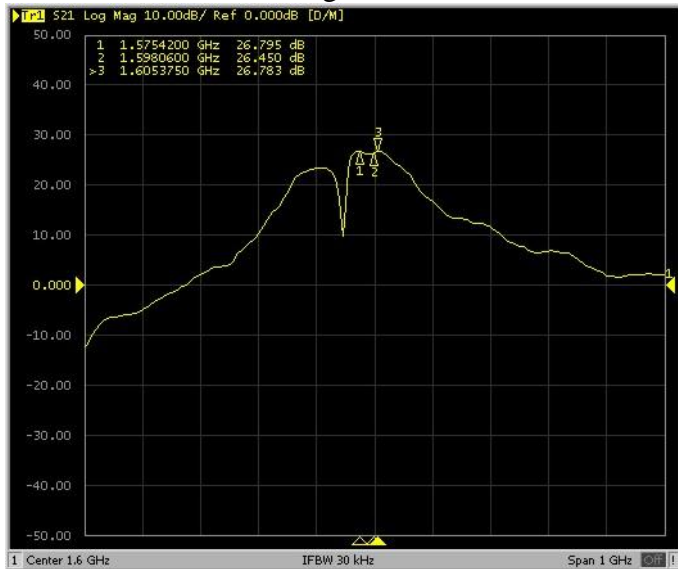
Tested with 30cm cable length.

VSWR



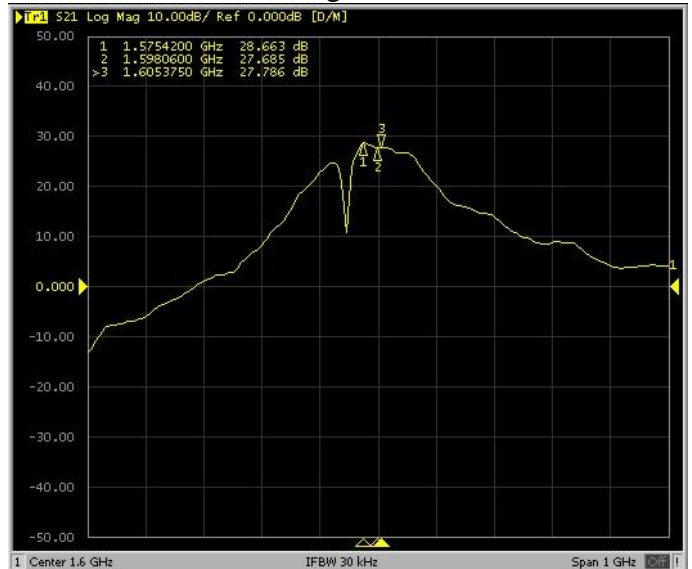
Tested with 30cm cable length.

GNSS gain at 3V



Tested with 30cm cable length.

GNSS gain at 5V



Tested with 30cm cable length.

### 3. IMAGES

