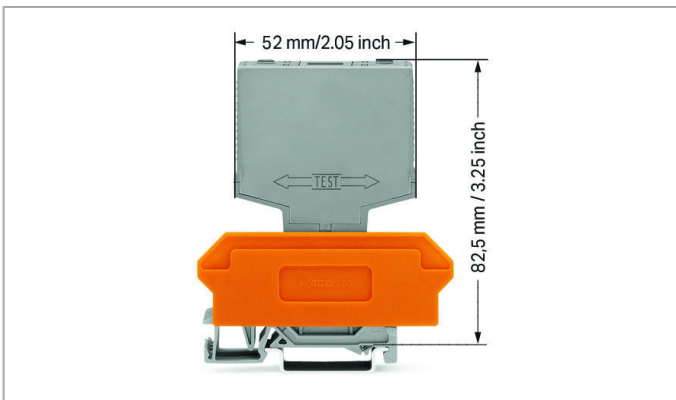
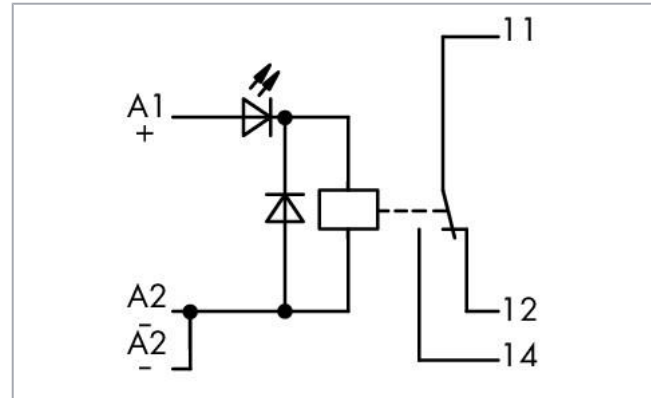
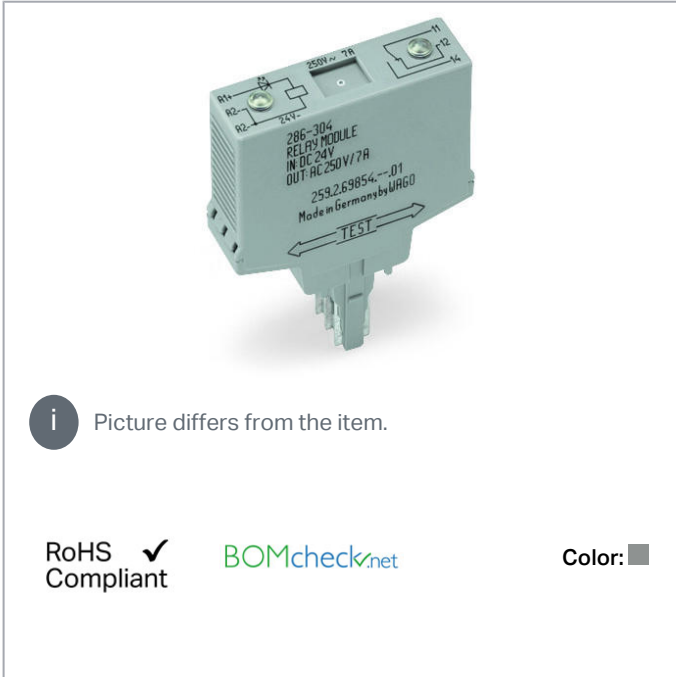


Data sheet | Item number: 286-307/004-000

Relay module; Nominal input voltage: 110 VDC; 1 changeover contact;
Limiting continuous current: 3 A; Path; Red status indicator; Module width: 15 mm; gray



www.wago.com/286-307/004-000



Data

Technical data

Control circuit

Nominal input voltage U_N DC 110 V

Input voltage range -30 ... +25 %

Subject to changes. Please also observe the further product documentation!

WAGO Kontakttechnik GmbH & Co. KG
Hansastr. 27
32423 Minden
Phone: +49571 887-0 | Fax: +49571 887-169
Email: info.de@wago.com | Web: www.wago.com

Do you have any questions about our products?
We are always happy to take your call at +49 (571) 887-44222.



Nominal input current at U_N	3.1 mA
--------------------------------	--------

Load circuit

Number of changeover/switchover contacts	1
Contact material (relay)	AgNi 0.15
Limiting continuous current	3 A
Switching voltage (max.)	AC 250 V
Switching power (resistive) (max.)	AC 750 VA
Pull-in time (typ.)	8 ms
Drop-out time (typ.)	6 ms
Bounce time (typ.)	4 ms

Signaling

Status indicator	Red LED
------------------	---------

Safety and protection

Rated voltage	300 V
Overvoltage category	II
Pollution degree	2
Dielectric strength, control/load circuit (AC, 1 min)	3 kVrms
Dielectric strength, open contact (AC, 1 min)	1 kVrms
Insulation type (control/load circuit)	Reinforced insulation (safe isolation)
Insulation type (adjacent devices)	Reinforced insulation (safe isolation)
Protection type	IP20

Physical data

Width	15 mm / 0.591 inch
Height from upper-edge of DIN-rail	82.5 mm / 3.248 inch
Depth	52 mm / 2.047 inch

Mechanical data

Mounting type	Pluggable module for receptacle terminal blocks
---------------	---

Material data

Color	gray
-------	------

Subject to changes. Please also observe the further product documentation!

Fire load	0.324 MJ
Weight	23.1 g

Environmental requirements

Surrounding air temperature (operation at U_N)	-25 ... 70 °C
Surrounding air temperature (storage)	-25 ... 70 °C
Processing temperature	-25 ... +50 °C
Relative humidity	5 ... 85 % (no condensation permissible)
Operating altitude (max.)	2000 m

Standards and specifications




Standards/Specifications	EN 60664-1
--------------------------	------------

Commercial data



Product Group	6 (Interface Electronics)
Packaging type	BOX
Country of origin	DE
GTIN	4045454709105
Customs tariff number	85364900990

Compatible products

General accessories

	Item no.: 280-609 Terminal block for pluggable modules; 6-pole; with 4-conductor terminal blocks; with orange separator; www.wago.com/280-609 for DIN-rail 35 x 15 and 35 x 7.5; 2.5 mm ² ; CAGE CLAMP®; 2,50 mm ² ; gray
	Item no.: 280-619 Terminal block for pluggable modules; 6-pole; with 2-conductor terminal blocks; with orange separator; www.wago.com/280-619 for DIN-rail 35 x 15 and 35 x 7.5; 2.5 mm ² ; CAGE CLAMP®; 2,50 mm ² ; gray
	Item no.: 280-763 Terminal block for pluggable modules; 6-pole; with 4-conductor terminal blocks; with marker carrier; www.wago.com/280-763 with orange separator; for DIN-rail 35 x 15 and 35 x 7.5; 2.5 mm ² ; CAGE CLAMP®; 2,50 mm ² ; gray

Marking accessories

	Item no.: 209-701 WSB marking card; as card; not stretchable; plain; snap-on type; white www.wago.com/209-701
	Item no.: 209-701/000-002 WSB marking card; as card; not stretchable; plain; snap-on type; yellow www.wago.com/209-701/000-002

Subject to changes. Please also observe the further product documentation!



Item no.: 209-701/000-005
WSB marking card; as card; not stretchable; plain; snap-on type; red

www.wago.com/209-701/000-005



Item no.: 209-701/000-006
WSB marking card; as card; not stretchable; plain; snap-on type; blue

www.wago.com/209-701/000-006



Item no.: 209-701/000-007
WSB marking card; as card; not stretchable; plain; snap-on type; gray

www.wago.com/209-701/000-007



Item no.: 209-701/000-012
WSB marking card; as card; not stretchable; plain; snap-on type; orange

www.wago.com/209-701/000-012



Item no.: 209-701/000-017
WSB marking card; as card; not stretchable; plain; snap-on type; light green

www.wago.com/209-701/000-017



Item no.: 209-701/000-023
WSB marking card; as card; not stretchable; plain; snap-on type; green

www.wago.com/209-701/000-023



Item no.: 209-701/000-024
WSB marking card; as card; not stretchable; plain; snap-on type; violet

www.wago.com/209-701/000-024

Downloads

Documentation

Instruction Leaflet

pdf
1.3 MB [Download](#)

Additional Information

Disposal; Electrical and electronic equipment, Packaging V 1.0.0 pdf 265.8 kB [Download](#)

CAD/CAE-Data

CAE data

WSCAD Universe 286-307/004-000 URL [Download](#)

WSCAD Universe 286-307/004-000 URL [Download](#)

Subject to changes. Please also observe the further product documentation!

Environmental Product Compliance

Compliance Search

Environmental Product Compliance 286-307/004-000

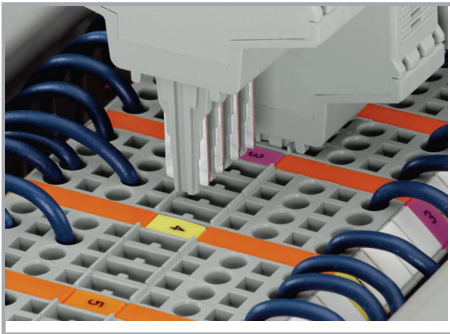
URL

Download

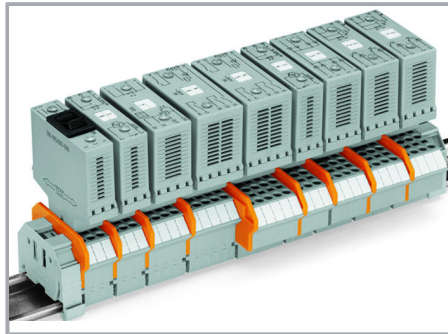
Relay module; Nominal input voltage: 110 VDC; 1 changeover contact; Limiting continuous current: 3 A; Path; Red status indicator; Module width: 15 mm; gray

Installation Notes

Installation



Coding ensures correct polarity.



Pluggable electronic modules on 2- or 4-conductor carrier terminal blocks

Marking



Marking via WMB Multi Marking System.

Testing

Subject to changes. Please also observe the further product documentation!



Function testing via touch-proof test slots

Subject to changes. Please also observe the further product documentation!

WAGO Kontakttechnik GmbH & Co. KG
Hansastr. 27
32423 Minden
Phone: +49571 887-0 | Fax: +49571 887-169
Email: info.de@wago.com | Web: www.wago.com

Do you have any questions about our products?
We are always happy to take your call at +49 (571) 887-44222.