

CONFIDENTIAL

VERTRAULICH

THIS DRAWING IS THE EXCLUSIVE PROPERTY OF MARQUARDT. WITHOUT THEIR CONSENT IT MAY NOT BE REPRODUCED OR GIVEN TO THIRD PARTIES.

recommended terminal layout; side of component
tolerances as per DIN IEC 326 item 3 very fine

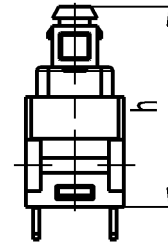
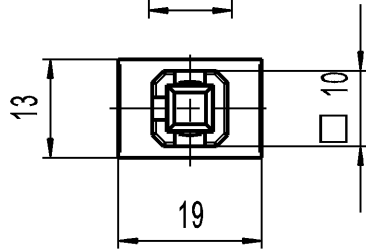
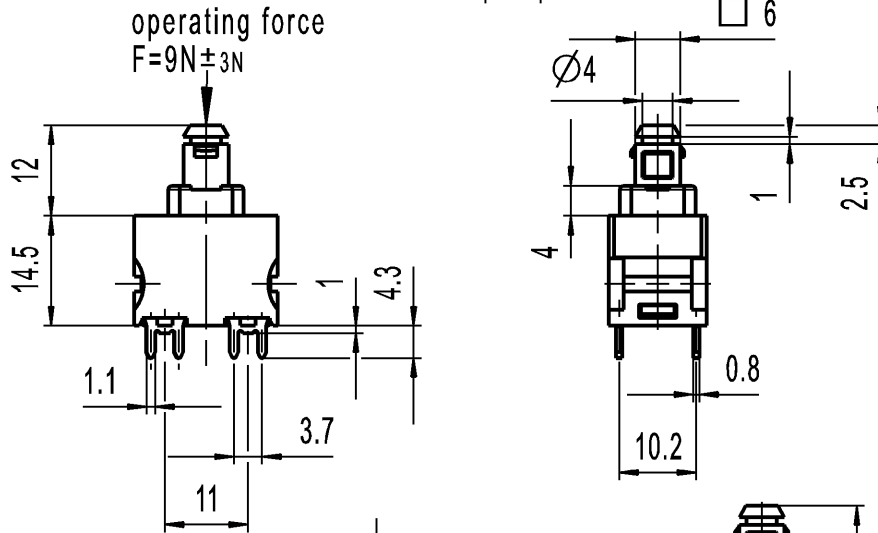
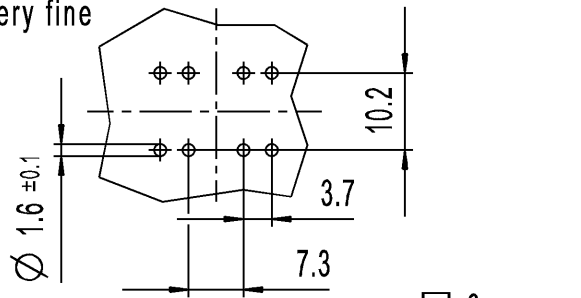
A

B

C

D

E



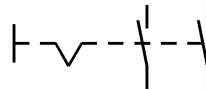
operating position	h
OFF	26.5
ON	23.8
block	22.2

Marking

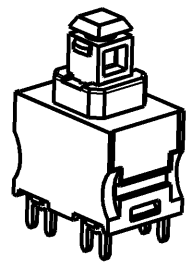
168..
12 (8) / 250 ~ T100/55
10 (8) / 250 ~ 5E4

12A 125-250 VAC
1/2 HP 125-250 VAC
R97

Code of manufacture:
place/year/week
On Box: Customer No. see variant table



DPST
Suitable for appliances of class II



Alle Rechte bei Marquardt, auch fuer den Fall von Schutzrechtsanmeldungen. Jede Veruegungsbefugnis, wie Kopier- und Weitergaberecht, bei uns.

-	-	9526827	1682.2101-XX
Figure	Type	Customer Part No.	Art.No.-PI
Shape and location	Angle ± 2 °	Sheet 01	Ident. K
	Edge tolerance	Format DIN A4	Document number 16822101
	Length	Projection	Index i
	Radii	Scale 1:1	Appliance Switch
i	136744	All dimensions are in millimetres	
h	91258	System NX V1872	
g	34660	Replacement of	
f	25389	Zg.gl.Nr.v.28.04.1992	
Index	MEC-No.	Date (YYYY-MM-DD)	Edited by

MARQUARDT