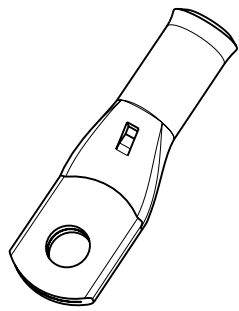
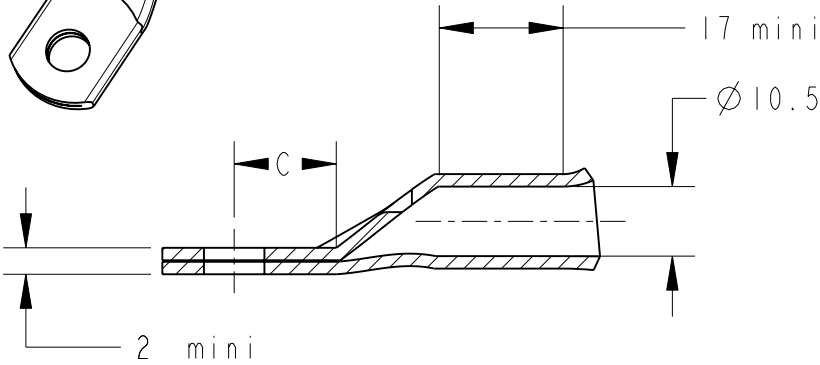


LOC	DIST	REVISIONS					
FH	00	P	LTR REV	DESCRIPTION MODIFICATIONS	DATE	DWN DESS.	APVD APP.
		E		MISE A JOURS / AJOUT NOTA	07DEC2009	BG	GP
		F		ECR-11-018538	07SEP2011	LP	NA



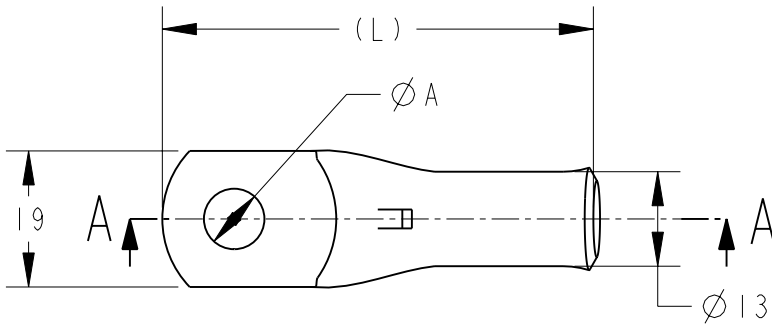
COUPE A-A



Inspection hole



Ces produits répondent à la norme NFC 20-130.
 These products are NFC 20-130 compliant.



(L)	C	Ø A	DESCRIPTION	PART NUMBER
52,5	11,3	8,3	XCT 60-8	709817-1
52,5	11,3	10,3	XCT 60-10	709817-2
55,5	13,8	12,8	XCT 60-12	709817-3

- 1 - MATERIAL = TINNED COPPER
- 2 - Marking in depth: logo-section-hole-Made in France +
- 3 - CABLE SECTION = 1/0-2/0 AWG or 60mm²
- 4 - GROOVE E60Cu OR DIE (Punch 17PCI20+ Die 17M60)

20

RELEASED FOR PUBLICATION
 LIBRE A LA DIFFUSION

ALL RIGHTS RESERVED.
 TOUS DROITS RESERVES.

THIS DRAWING IS UNPUBLISHED.
 DIFFUSION RESTREINTE

© COPYRIGHT 20

TOLERANCES UNLESS OTHERWISE SPECIFIED: -
 TOLERANCES NON SPECIFIEES: -

DIMENSIONS:

mm

DWN/DESSINE 15DEC00
 D. LEGUY

MATERIAL MATIERE

CUIVRE

FINISH FINITION

ETAME

CHK/VERIFIE E. DEREY

APVD/APPROUVE N. ALMEIDA

PRODUCT SPEC SPEC. PRODUIT

APPLICATION SPEC SPEC. APPLICATION

WEIGHT MASSE APPROX.

NAME TITRE

XCT
 60-..

SIZE FORMAT

A4

CAGE CODE

00779

DRAWING NO No PLAN

C-709817

RESTRICTED TO RESERVE A

-

CUSTOMER DRAWING /PLAN CLIENT

UNIQUEMENT POUR REFERENCE

SCALE ECHELLE - / -

SHEET FEUILLE 1

OF DE 1

REV F

TOLERANCES UNLESS OTHERWISE SPECIFIED:
 TOLERANCES NON SPECIFIEES (SUIV NB DE DECIMALES):

- 0 PLC/DEC: ±0
- 1 PLC/DEC: ±0
- 2 PLC/DEC: ±0
- 3 PLC/DEC: ±0
- 4 PLC/DEC: ±0

ANGLES ±-

