

Printview: 4-conductor chassis-mount terminal strip; Snap-in foot at pos. 1+3; PE-N-L1; without ground contact; 3-pole - Item No.: 862-1693



4-conductor chassis-mount terminal strip; Snap-in foot at pos. 1+3; PE-N-L1; without ground contact; 3-pole

Item No.: 862-1693



4-conductor chassis-mount terminal strip; Snap-in foot at pos. 1+3; PE-N-L1; without ground contact; 3-pole

Marking

RoHS ✓
Compliant

Business data

Supplier	WAGO
Item no.	862-1693
GTIN / EAN	4044918509848
Content	1
Order amount	250
Customer item number	

Notes

Technical data

Miscellaneous

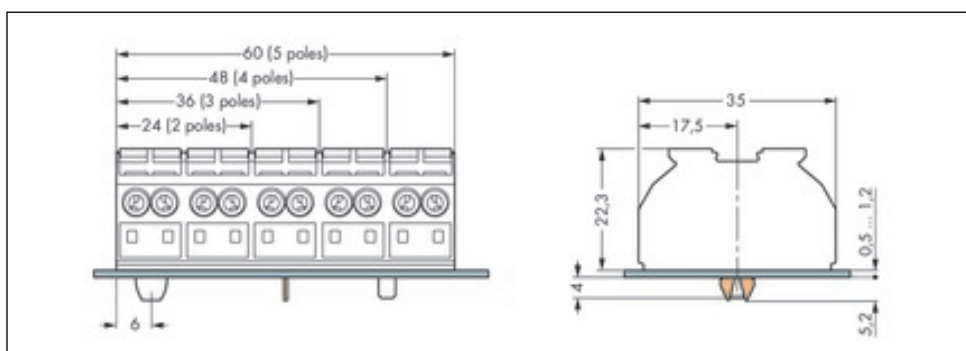
Rated voltage (III / 3) [V]	500 [V]
Rated impulse voltage (III / 3) [kV]	6 [kV]
Rated current [A]	32 [A]
Legend (ratings)	(III / 3) Overvoltage category III / Pollution degree 3
Type of wiring	Side-entry wiring
No. of poles	3

Printview: 4-conductor chassis-mount terminal strip; Snap-in foot at pos. 1+3; PE-N-L1; without ground contact; 3-pole - Item No.: 862-1693

Technical data	
Total number of connection points	12
Total number of potentials	3
Connection technology	Push-in CAGE CLAMP®
Actuation type	Operating tool
Connectable conductor materials	Copper
Solid conductor	0.5 ... 4 mm ² / 20 ... 12 AWG
Solid conductor, push-in termination	0.5 ... 4 mm ² / 20 ... 12 AWG
Stranded conductor	0.5 ... 4 mm ² / 20 ... 12 AWG
Fine-stranded conductor	0.5 ... 4 mm ² / 20 ... 12 AWG
Fine-stranded conductor with ferrule with plastic collar	0.5 ... 2.5 mm ² / 20 ... 12 AWG
Fine-stranded conductor with ferrule, push-in termination, f	0.5 mm ² / 20 AWG
Strip length	10 ... 11 mm / 0.39 ... 0.43 Inch
Pin spacing	12 mm / 0.472 in
Width	36 mm / 1.417 Inch
Height from the surface	22.3 mm / 0.878 Inch
Depth	35 mm / 1.378 Inch
Mounting type	Snap-in mounting foot
Marking	PE-N-L1
Color	white
Fire load [MJ]	0.387 [MJ]
Weight [g]	20.682 [g]
Pin spacing up to [in]	0.472 [in]
Pin spacing from [mm]	12 [mm]
Main product function	Chassis-mount terminal strip
Product type	Field-wiring terminal blocks

Printview: 4-conductor chassis-mount terminal strip; Snap-in foot at pos. 1+3; PE-N-L1; without ground contact; 3-pole - Item No.: 862-1693

Images & drawings



Printview: 4-conductor chassis-mount terminal strip; Snap-in foot at pos. 1+3; PE-N-L1; without ground contact; 3-pole - Item No.: 862-1693

Address

WAGO Kontakttechnik GmbH & Co. KG

Hansastr. 27

32423 Minden

Telefon: 0571/887-0

Fax: 0571/887-169

<http://www.wago.com>

© WAGO Kontakttechnik GmbH & Co. KG

Technische Änderungen und Irrtümer vorbehalten.