

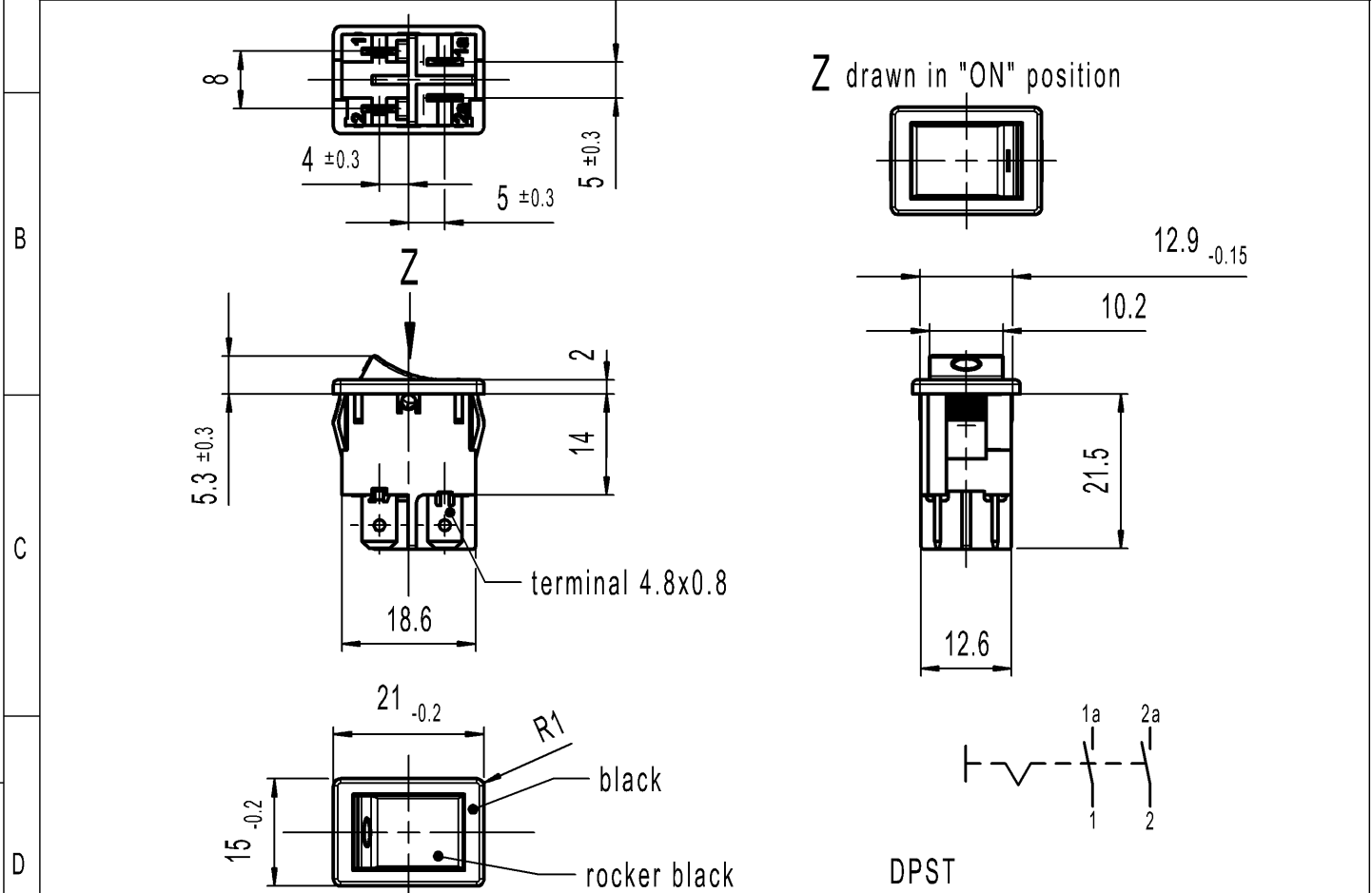
THIS DRAWING IS THE EXCLUSIVE PROPERTY OF MARQUARDT. WITHOUT THEIR CONSENT IT MAY NOT BE REPRODUCED OR GIVEN TO THIRD PARTIES.

CONFIDENTIAL

VERTRAULICH

Alle Rechte bei Marquardt, auch fuer den Fall von Schutzrechtsanmeldungen. Jede Veruegungsbefugnis, wie Kopier- und Weitergaberecht, bei uns.

A	recommended cut-out for snap-in fixing (edge opposite to snap-in direction)	1	2	3	4
		wall thickness	length of cut-out	width of cut-out	
		0.75 to 1.25	19.2-0.1	12.9+0.1	
		1.25 to 2	19.4-0.1	12.9+0.1	
		2 to 3	19.8-0.1	12.9+0.1	



Marking  
 1852.  
 4(1)/250~T85/55  
 6A 125V AC  
 4A 250V AC  
 1/10 HP 125-250V AC  
 R52   
 Code of manufacture: place/year/month

DPST  
 Suitable for appliances of class II

-	-	-	1852.1125-XX
Figure	Type	Customer Part No.	Art.No.-PI
Shape and location	Angle ± 2°	Sheet 01	Ident. K
	Edge tolerance	Format DIN A4	Document number 18521125
	0-6	Projection	Index e
	>6-15	Scale 1:1	Appliance Switch
>15-30	All dimensions are in millimetres	System NX V1899	
			Replacement of
e	141197	2022-12-27	MOHITEN
d	66876	2010-01-19	
c	63303	2009-05-07	HHE
b	29403	2000-10-10	MUT
Index	MEC-No.	Date (YYYY-MM-DD)	Edited by
		Zg.gl.Nr.v.16.06.1993	MARQUARDT