

**ebm-papst St. Georgen GmbH & Co. KG**

Hermann-Papst-Str. 1
 D-78112 St. Georgen
 Phone +49 (0) 7724 81-0
 Fax +49 (0) 7724 81-1309
 info2@de.ebmpapst.com
 www.ebmpapst.com

Nominal data

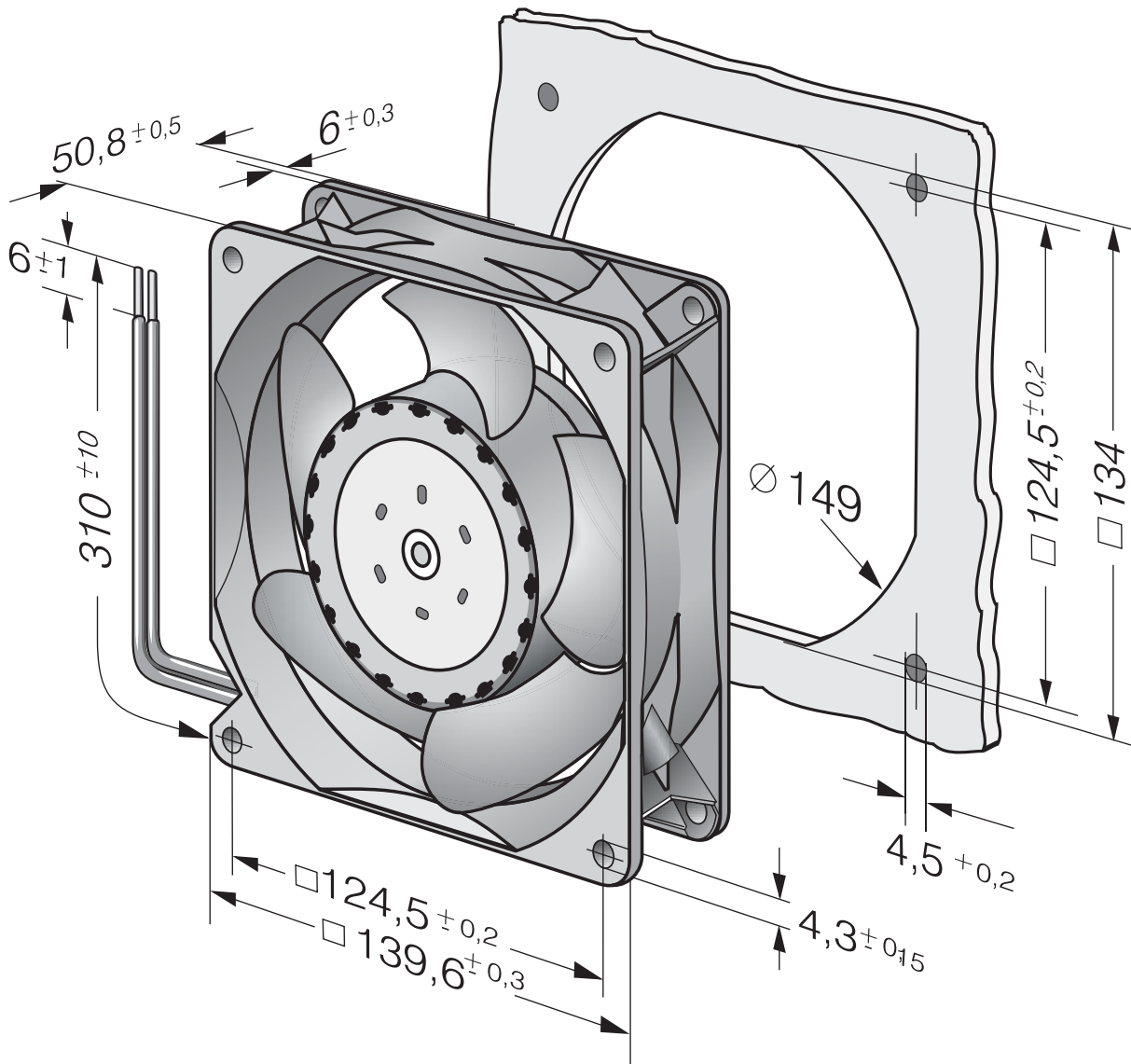
| Type | 5314 /2HP | |
|--------------------------|-------------------|----------|
| Nominal voltage | VDC | 24 |
| Nominal voltage range | VDC | 16 .. 28 |
| Speed (rpm) | min ⁻¹ | 5000 |
| Power consumption | W | 28.4 |
| Min. ambient temperature | °C | -20 |
| Max. ambient temperature | °C | 65 |
| Air flow | m ³ /h | 340 |
| Sound power level | B | 7.2 |
| Sound pressure level | dB(A) | 64 |

ml = Max. load · me = Max. efficiency · fa = Free air · cs = Customer specification · ce = Customer equipment
 Subject to change

Technical description

| | |
|--|---|
| General description | Power consumption when wide open; these values may be considerably higher at the operating point. |
| Impeller material | Glass-fiber reinforced PA plastic |
| Weight | 0.9 kg |
| Dimensions | 140 x 140 x 51 mm |
| Housing material | Die-cast aluminum |
| Airflow direction | Intake over struts |
| Direction of rotation | Counterclockwise, viewed toward rotor |
| Storage | Ball bearing |
| Service life L10 at 40 °C | 77500 h |
| Service life L10 at maximum temperature | 40000 h |
| Cable | With leads AWG 22, TR 64 |

Product drawing



Curves

