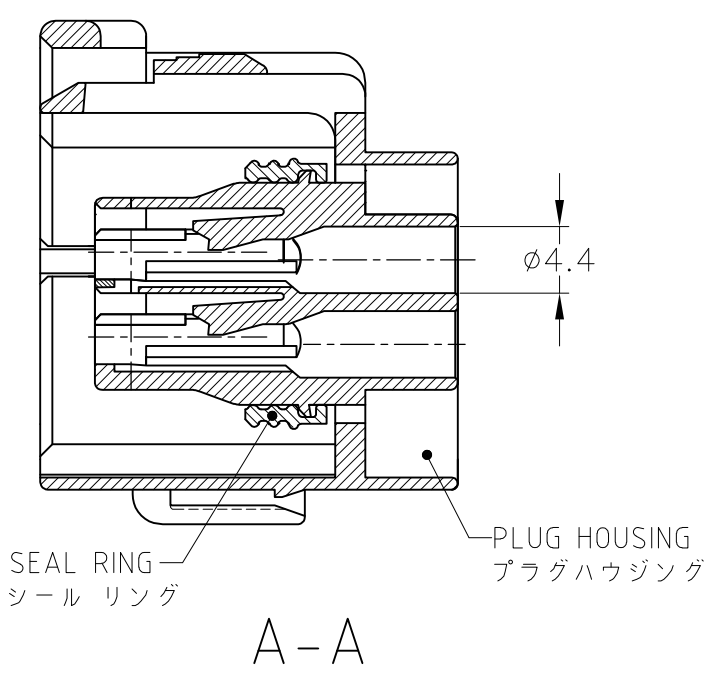
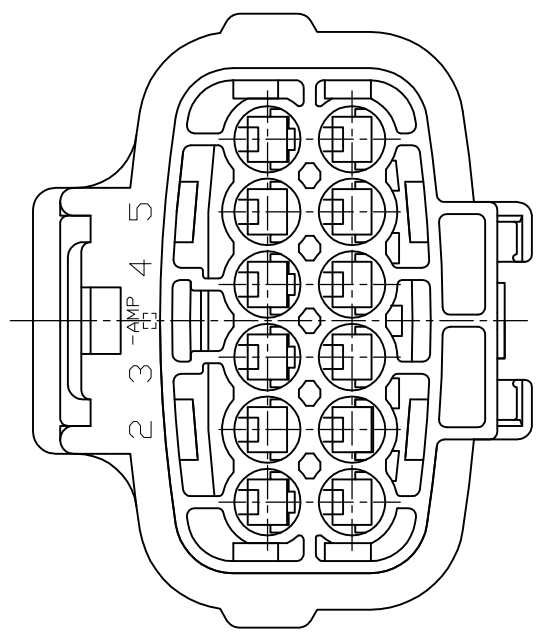
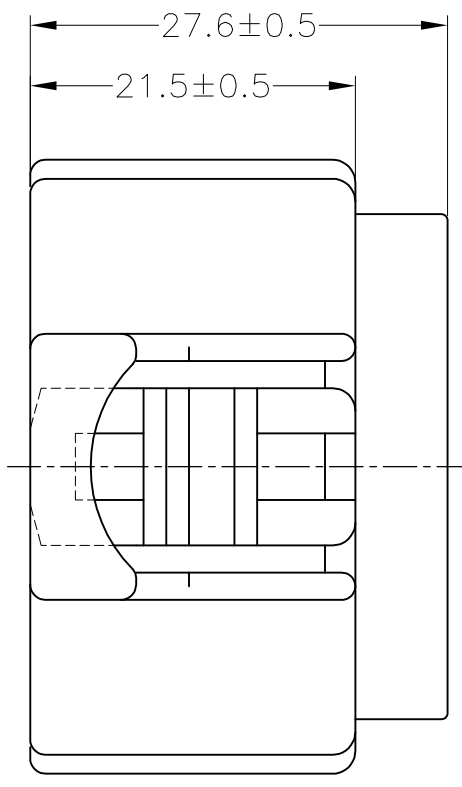
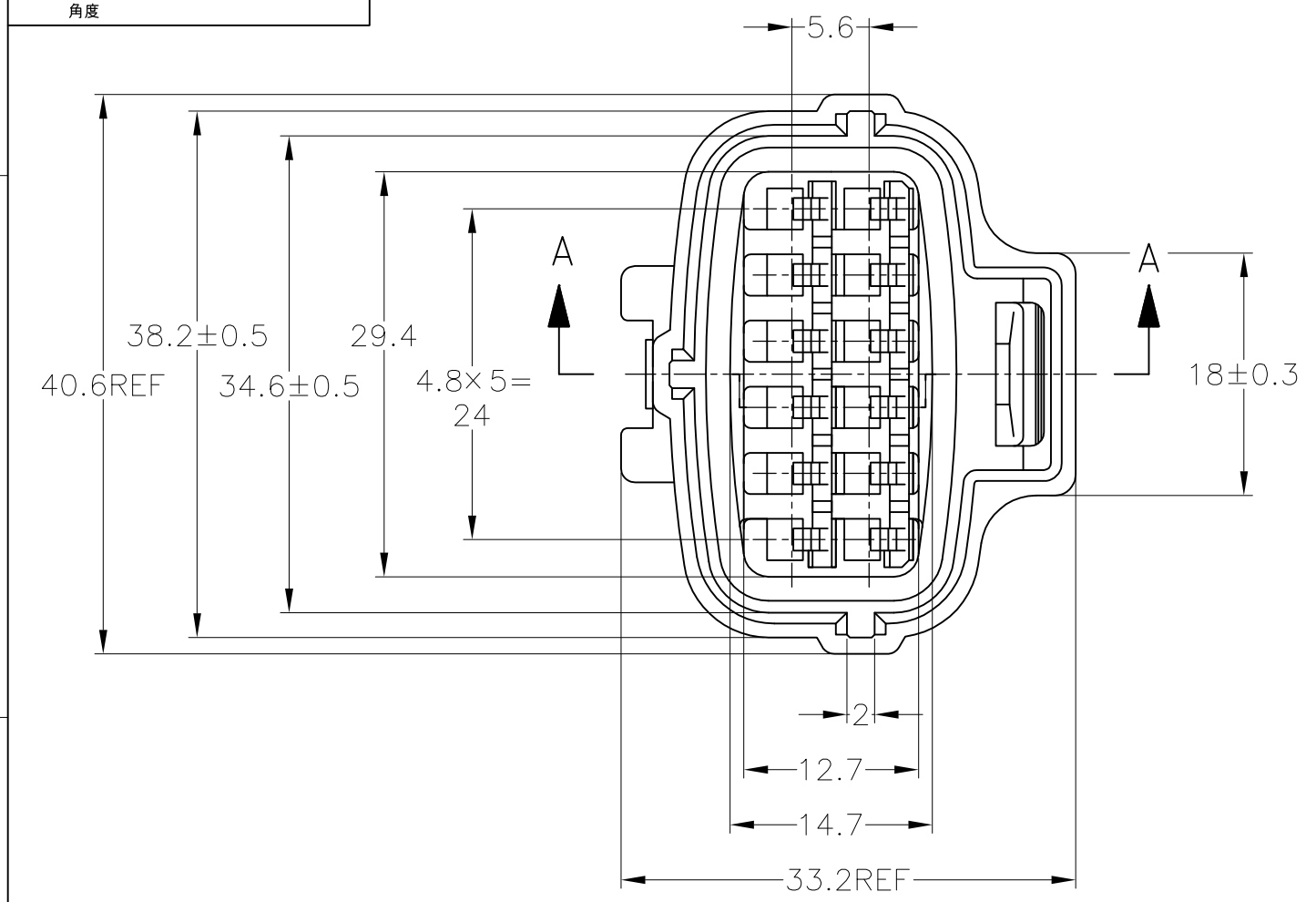


THIS DRAWING IS UNPUBLISHED. RELEASED FOR PUBLICATION
 © COPYRIGHT - By - ALL RIGHTS RESERVED.

LOC	DIST	REVISIONS					
J	-	P	LTR	DESCRIPTION	DATE	DWN	APVD
		D3		REVISED PER ECO-11-005140	28MAR11	RK	HMR

TOLERANCE UNLESS OTHERWISE SPECIFIED:
 一般公差
 0 < x ≤ 10 : ±0.2
 10 < x ≤ 30 : ±0.25
 30 < x ≤ 100 : ±0.3
 ANGLE : ±3°
 角度



1. 嵌合相手型番: 174663
 2. 本品はプラグハウジング単体にシールリングがアッセンブリされたものである。
 3. 本品はダブルロックプレート型番 174662を装着して使用する。
1. FOR CAP HOUSING PN 174663
 2. THIS PART IS COMPOSED OF PLUG HOUSING AND SEAL RING
 3. THIS PART MUST BE USED WITH DOUBLE LOCK PLATE PN 174662

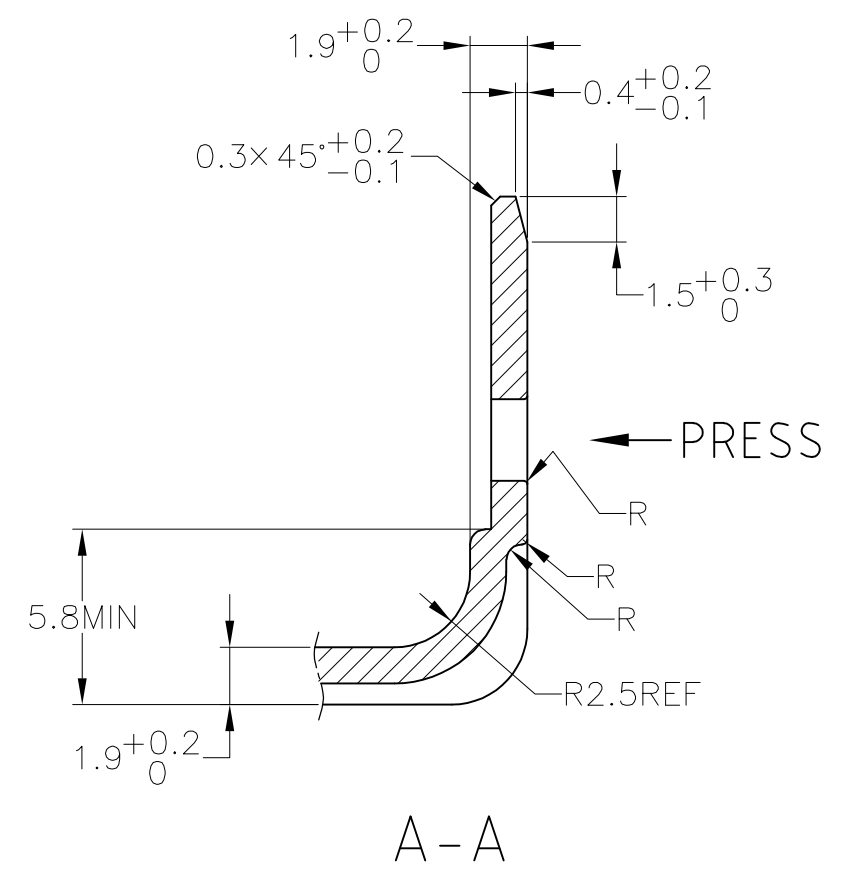
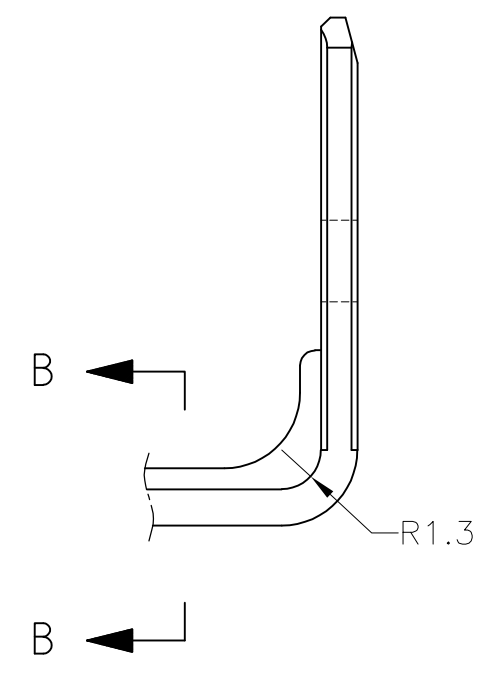
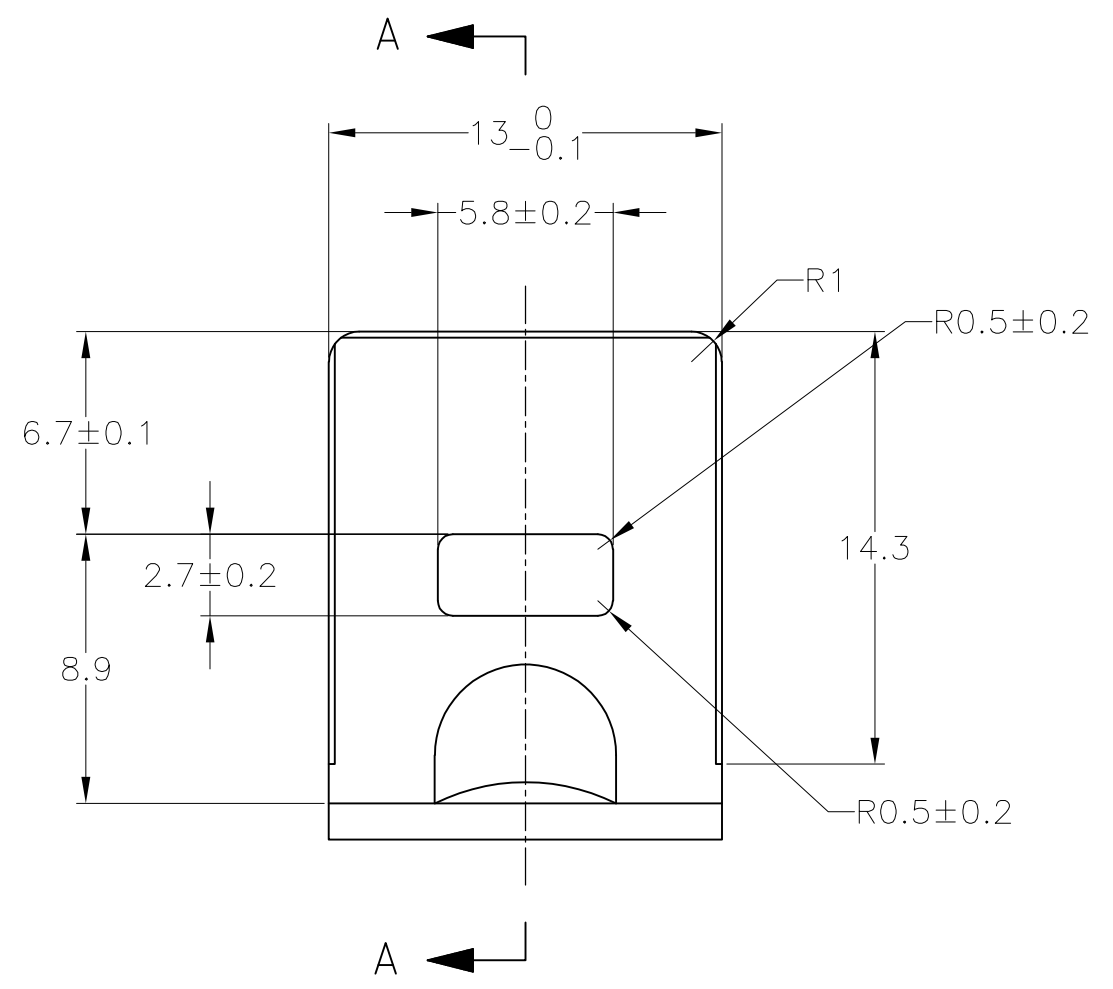
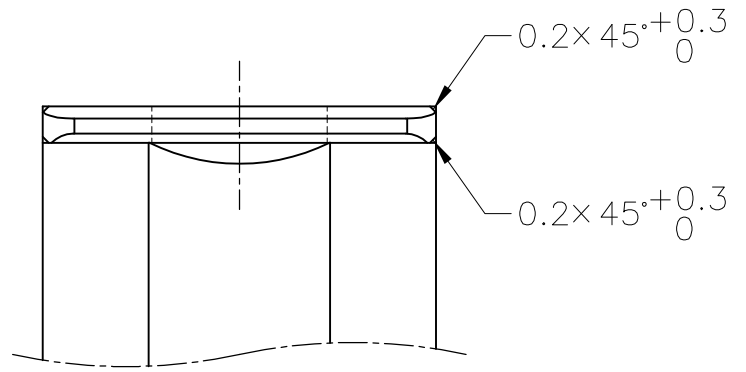
SILICON	黒 BLACK	1-174661-2
NBR	黒 BLACK	174661-2
シールリング SEALING	色 COLOR	型番 PN

THIS DRAWING IS A CONTROLLED DOCUMENT.		DWN T.SHINOHARA 09FEB04	TE Connectivity			
DIMENSIONS: 単位: 耗 mm		CHK K.BETSUI 09FEB04				
TOLERANCES UNLESS OTHERWISE SPECIFIED: 一般公差		APVD K.BETSUI 09FEB04	NAME 名称 12Pos. ECONOSEAL J-MARKII+ CONNECTOR PLUG HOUSING			
0 PLC ±-		PRODUCT SPEC 製品規格 108-5262	SIZE	CAGE CODE	DRAWING NO 番号	RESTRICTED TO
1 PLC ±-		APPLICATION SPEC 取付適用規格 114-5082	A3	00779	G-174661	-
2 PLC ±-		MATERIAL 材料 PBT	WEIGHT 13.5g	SCALE 尺度 2:1		SHEET 1 OF 2
3 PLC ±-		FINISH 仕上	CUSTOMER DRAWING		REV D3	
4 PLC ±-						
ANGLES ±-						

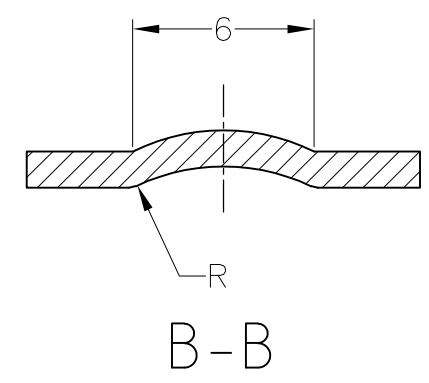
THIS DRAWING IS UNPUBLISHED. RELEASED FOR PUBLICATION
 © COPYRIGHT - By - ALL RIGHTS RESERVED.

LOC	DIST	REVISIONS					
J	-	P	LTR	DESCRIPTION	DATE	DWN	APVD
		-		SEE SHEET 1	-	-	-

ブラケット推奨寸法図
 RECOMMENDED DIMENSION OF BRACKET



t = 1.2 ± 0.08



TOLERANCE UNLESS OTHERWISE SPECIFIED: 一般公差

0 < x ≤ 10	: ±0.2
10 < x ≤ 30	: ±0.25
30 < x ≤ 100	: ±0.3
ANGLE ; 角度	: ±3°

THIS DRAWING IS A CONTROLLED DOCUMENT.		DWN T.SHINOHARA 09FEB04	TE Connectivity													
DIMENSIONS: 単位: 耗 mm		CHK K.BETSUI 09FEB04														
TOLERANCES UNLESS OTHERWISE SPECIFIED: 一般公差		APVD K.BETSUI 09FEB04	NAME 名称 12Pos. ECONOSEAL J-MARKII+ CONNECTOR PLUG HOUSING													
<table border="1"> <tr><td>0 PLC</td><td>± -</td></tr> <tr><td>1 PLC</td><td>± -</td></tr> <tr><td>2 PLC</td><td>± -</td></tr> <tr><td>3 PLC</td><td>± -</td></tr> <tr><td>4 PLC</td><td>± -</td></tr> <tr><td>ANGLES</td><td>± -</td></tr> </table>		0 PLC	± -	1 PLC	± -	2 PLC	± -	3 PLC	± -	4 PLC	± -	ANGLES	± -	PRODUCT SPEC 製品規格	SIZE A3	
0 PLC	± -															
1 PLC	± -															
2 PLC	± -															
3 PLC	± -															
4 PLC	± -															
ANGLES	± -															
MATERIAL 材料		APPLICATION SPEC 取付適用規格	CAGE CODE 00779	RESTRICTED TO -												
FINISH 仕上		WEIGHT -	DRAWING NO 番号 C-174661	SCALE 尺度 4:1												
CUSTOMER DRAWING			SHEET 2 OF 2	REV D3												