

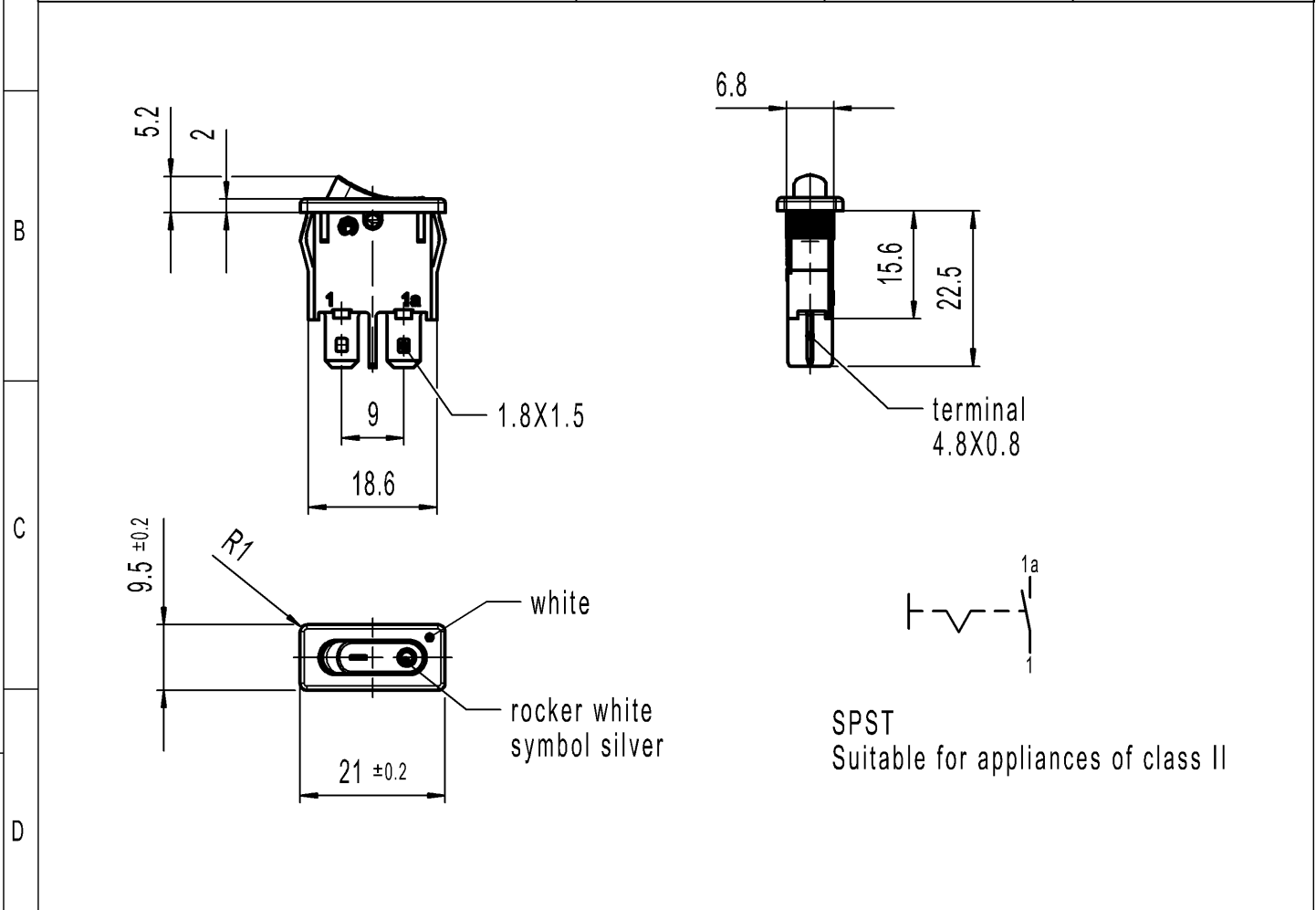
CONFIDENTIAL

VERTRAULICH

THIS DRAWING IS THE EXCLUSIVE PROPERTY OF MARQUARDT. WITHOUT THEIR CONSENT IT MAY NOT BE REPRODUCED OR GIVEN TO THIRD PARTIES.

Alle Rechte bei Marquardt, auch fuer den Fall von Schutzrechtsanmeldungen. Jede Verfuugungsbefugnis, wie Kopier- und Weitergaberecht, bei uns.

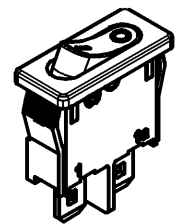
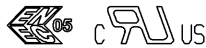
A	recommended cut-out for snap-in fixing (edge opposite to snap-in direction)	1	2	3	4
			wall thickness	length of cut-out	width of cut-out
		0.75 to 1.25	19.2 -0.1	6.8+0.1	
		1.25 to 2	19.4 -0.1	6.8+0.1	
		2 to 3	19.8 -0.1	6.8+0.1	



SPST
Suitable for appliances of class II

Marking

1901.
4(1)/250~5E4
6(2)/250~
T80/55



Code of manufacture: place/year/week

-	-	-	1901.1106-XX
Figure	Type	Customer Part No.	Art.No.-PI
Shape and location	Angle $\pm 2^\circ$	Sheet 01	Ident. K
	Edge tolerance		
	Length	Projection	Index b
	Radii		
		All dimensions are in millimetres	
b	141238	Appliance Switch	
a	102884		
	48192		
Index	MEC-No.	Date (YYYY-MM-DD)	Edited by