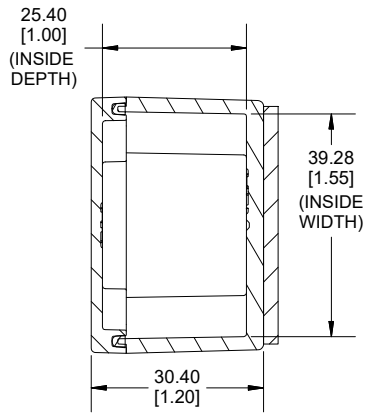
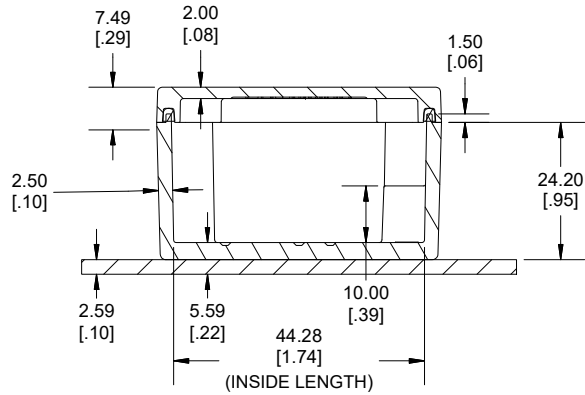


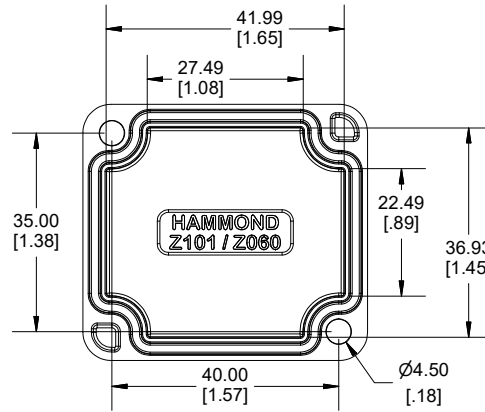
**TOP VIEW**



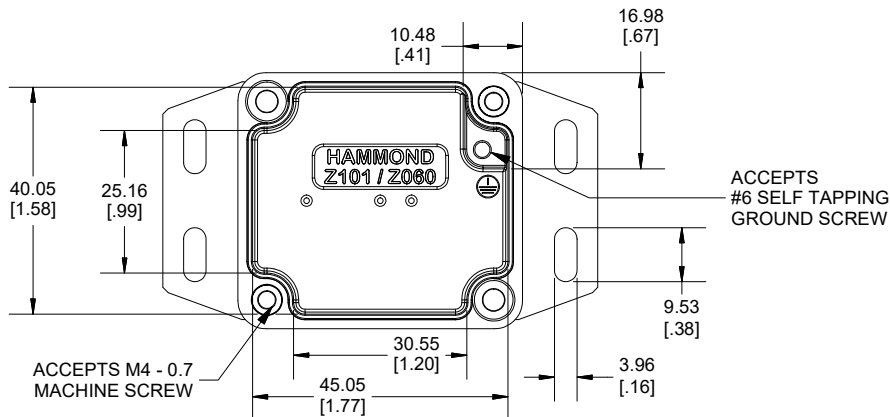
**SECTION A-A  
END VIEW**



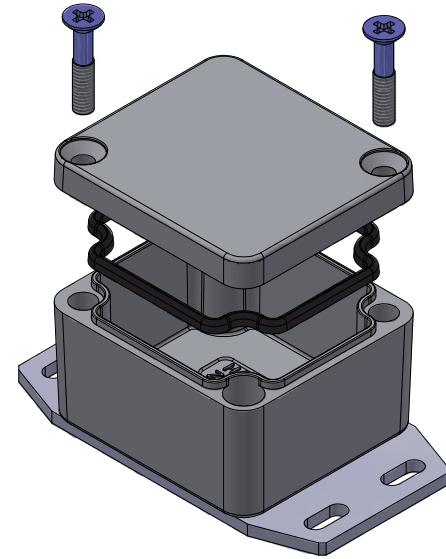
**SECTION B-B  
SIDE VIEW**



**INSIDE LID**



**INSIDE BOX**



**UL** US LISTED  
FILE #E71073  
NEMA 4, 4X

Enclosures can be Factory Modified (Milling, Drilling, Printing etc.)  
Contact Factory (modshop@hammfg.com) for quotes  
Solid models of this enclosure available in .stp or .x\_t  
(Part number and text placement/orientation on our products are subject to change,  
we do not recommend using them as a locating reference for modification purposes)

**NOTE**

Purchased assembly includes box, lid, silicone gasket, and 2 cover screws.  
Box and lid are made from Diecast Aluminum Alloy.  
Bottom flange is welded.

**Recommended Cover screw torque 5-7.5 lbf.in (50 -75 cN.m)**

**PART NUMBERS**

1550Z101 Flange Enclosure

Natural Finish Enclosure

1550Z101F

Black Textured Enclosure

1550Z101FBK

**ACCESSORIES**

Stainless Steel Cover screws  
[M4 - 0.7 x 20mm] (50 Pack)

SC1550Z103-50

Ground Hardware (50 Pack)  
#6 Phos. Bronze plate Lock Washer  
#6-32 x 5/16 Copper plate Self-Tapping screw

SCG060-50

Pre-Formed Silicone Gasket (2 Pack)

1550Z101GASKET

**Dimensions:**  
mm  
[inches]

**HAMMOND**  
1550Z101F  
www.hammondmfg.com