

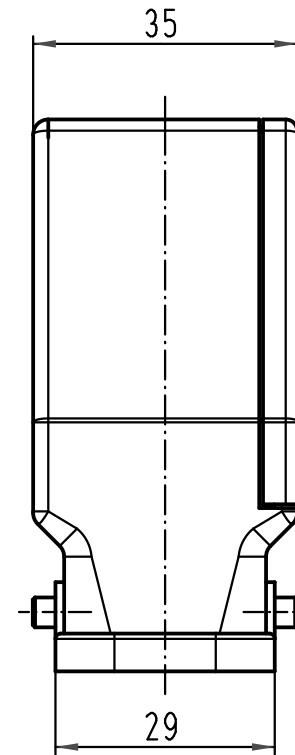
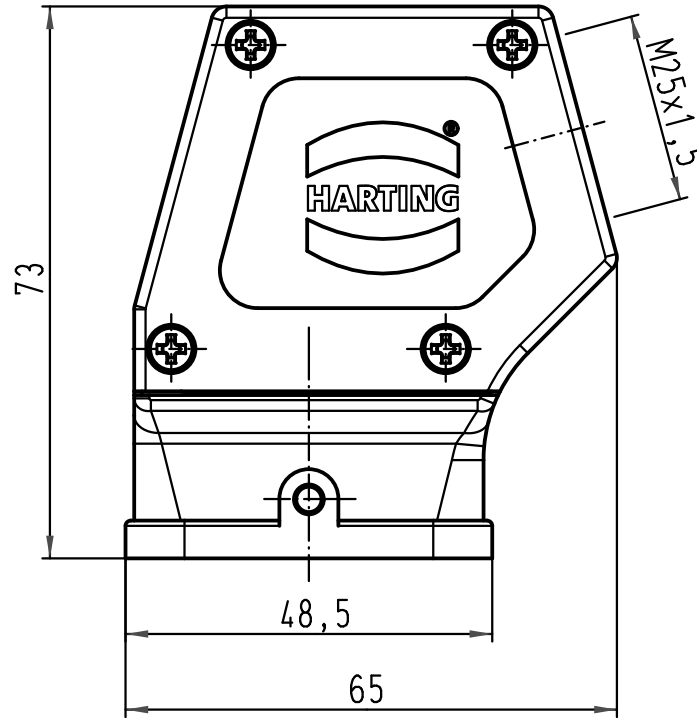
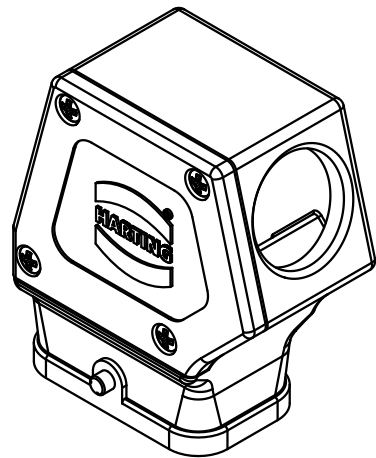
1 2 3 4 5 6

A

B

C

D



All Dimensions in mm Original Size DIN A 4		Techn. Character.			Nicht tolerierte Maß/Free size tolerances	
			Dat.	Name	Maßstab/Scale 1:1	Han Compact-gs-M25 Gehäuse hohe Bauform-Metall-schwarz hood high construction-metal-black
			Detail.	06.04.10 ML		
			Insp.	Sch		
			Stand.			
A			HARTING Electric GmbH & Co. KG D-32339 Espelkamp			TB 19 12 008 0526
Mod.	Dat.	Name				
						Blatt/page

Mouser Electronics

Authorized Distributor

Click to View Pricing, Inventory, Delivery & Lifecycle Information:

[HARTING:](#)

[19120080526](#)