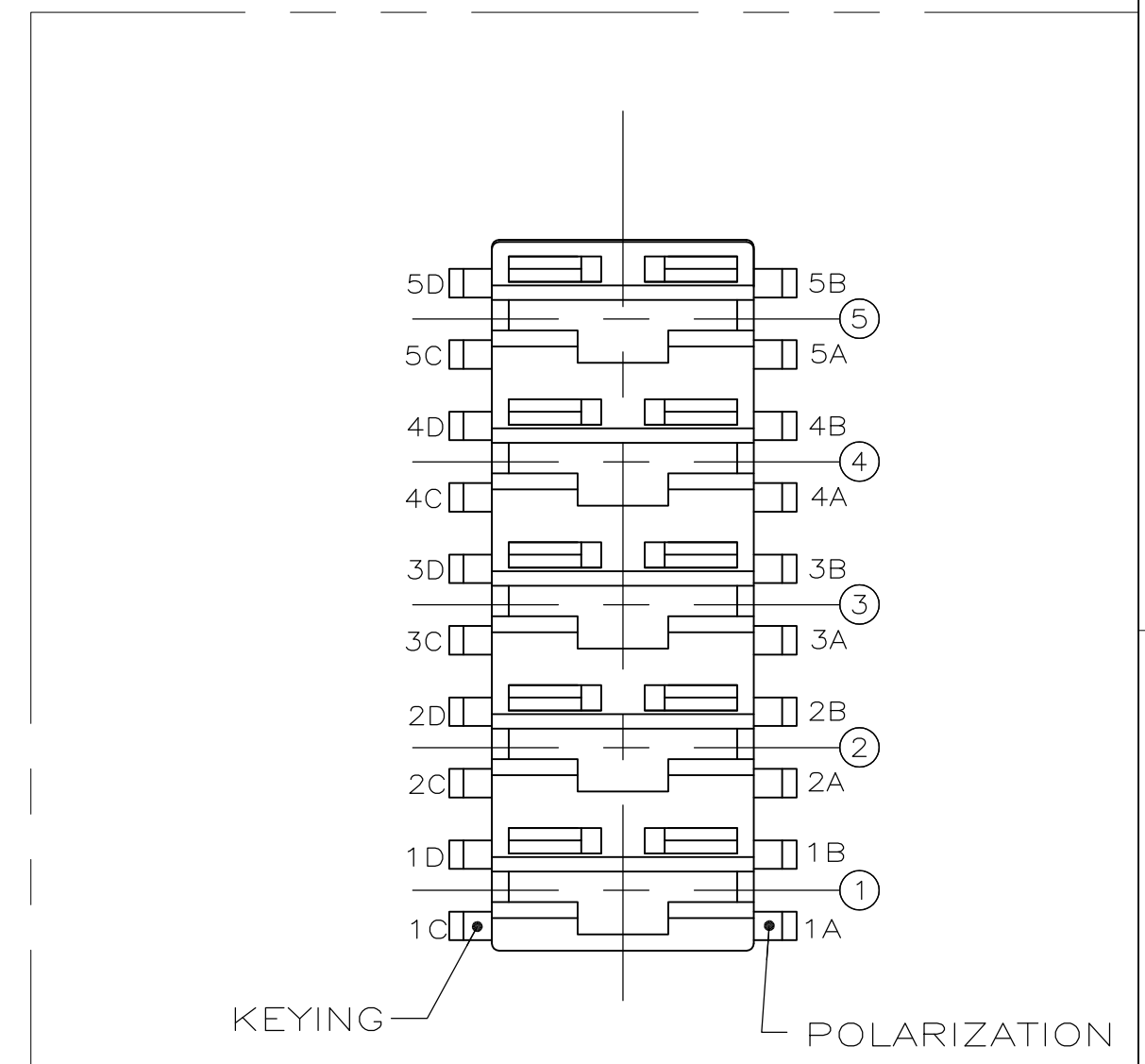
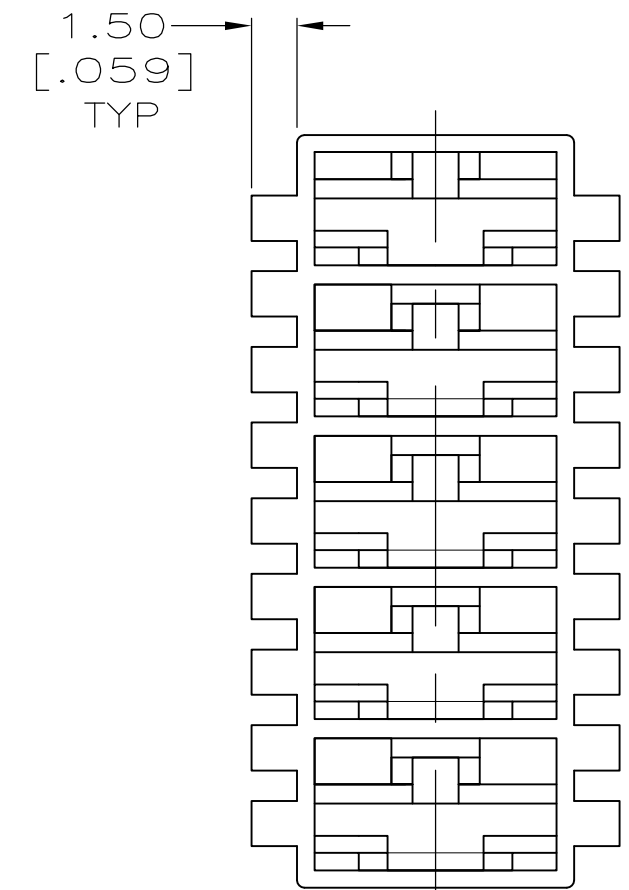
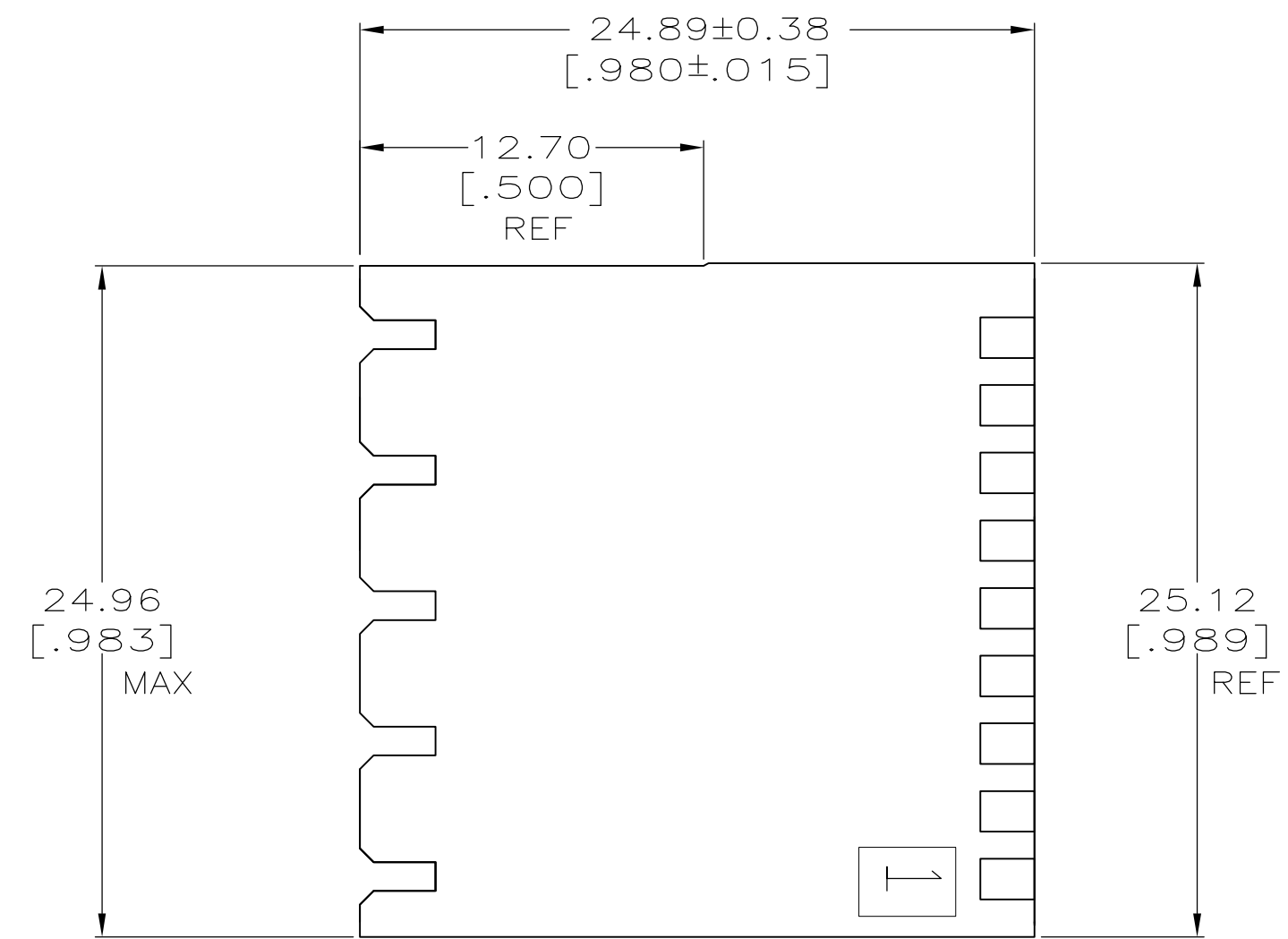
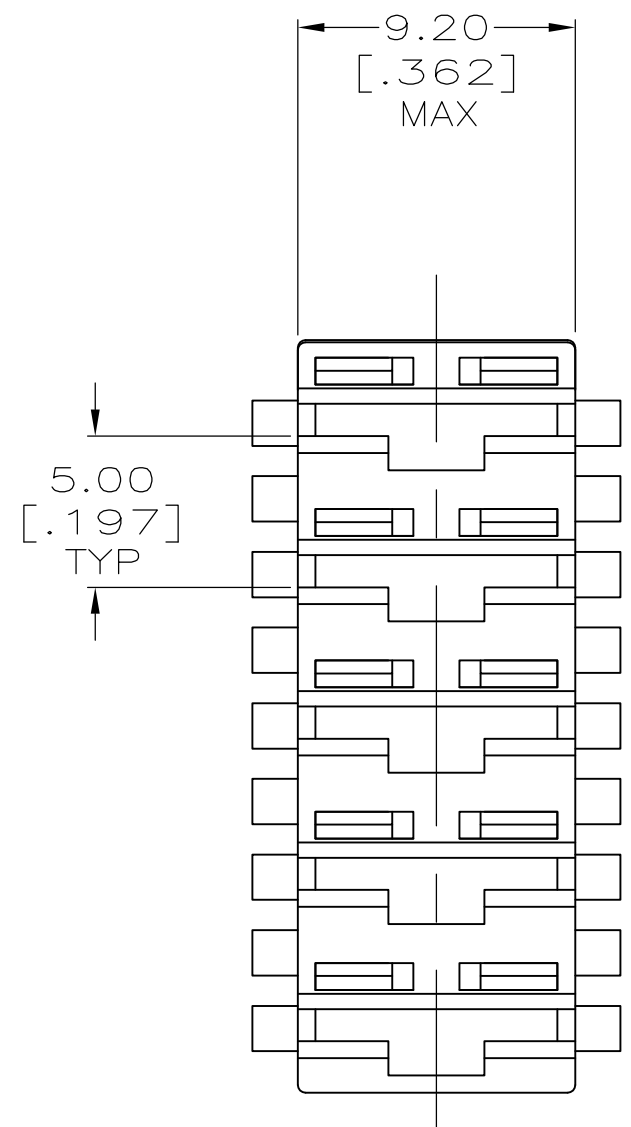
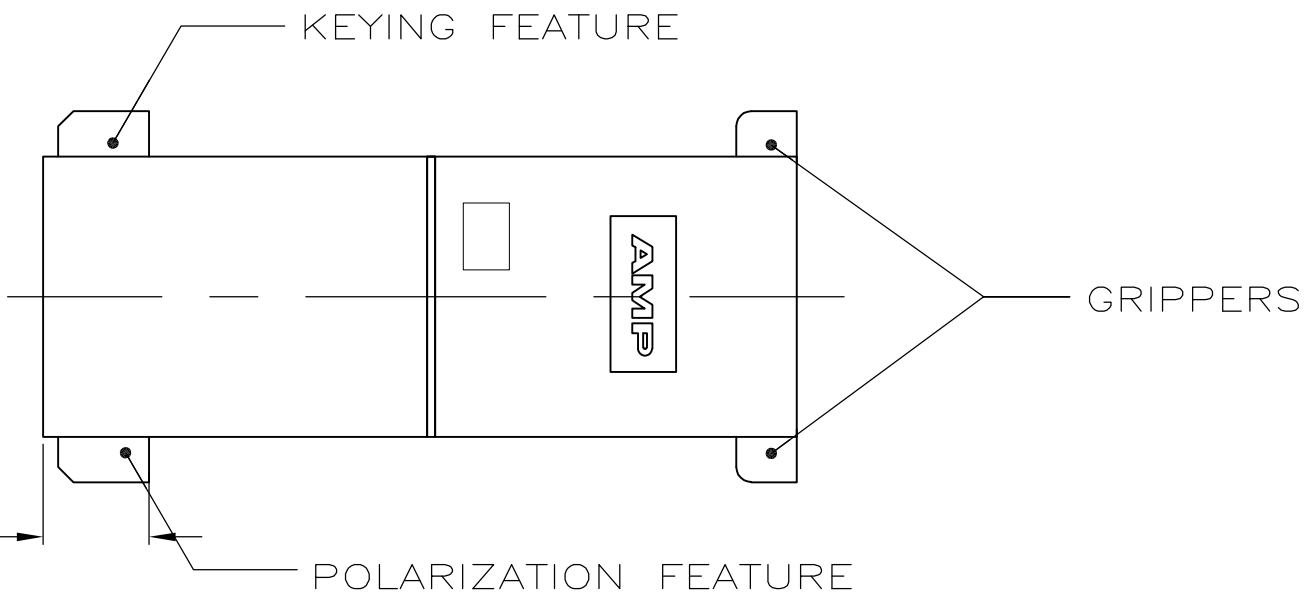


THIS DRAWING IS UNPUBLISHED. RELEASED FOR PUBLICATION
 © COPYRIGHT - By - ALL RIGHTS RESERVED.

LOC	DIST	REVISIONS			
P	LTR	DESCRIPTION	DATE	DWN	APVD
AF	50	H	REVISED PER ECR-16-001902	22MAR2016	BW JP



KEYING & POLARIZATION
 CODING AND COMBINATIONS
 SPECIAL FRONT VIEW

- 1 ACCEPTS RECEPTACLE CONTACTS 1217378(#18-#22 AWG SINGLE WIRE), 1217094(#18-#14 AWG SINGLE WIRE) AND 1217095 (TWO #18'S OR TWO #16'S OR A #16 + #18 COMBINATION).
- 2 FRONT AND BACK VIEWS SHOW ONLY THE GRIPPERS. FOR KEYING AND POLARIZATION FEATURES, SEE SPECIAL FRONT VIEW.

- ③ PRELIMINARY - NOT FOR PRODUCTION
- ④ PREPRODUCTION - FASR REQUIRED

05-B	COLOR	POLARIZATION FEATURES	KEYING FEATURE	PART NO.
05-B	BLUE	2B	2D	③ 521207-5
---	NATURAL	3A,3B,4B	2D, 3C	521207-4
---	BLUE	NONE	1C, 5D	521207-3
---	BLUE	2B	2D, 5D	③ 521207-2
---	BLUE	NONE	NONE	521207-1
RAST 5 DESIGNATION	COLOR	POLARIZATION FEATURES	KEYING FEATURE	PART NO.
THIS DRAWING IS A CONTROLLED DOCUMENT.				
DIMENSIONS: mm		TOLERANCES UNLESS OTHERWISE SPECIFIED:		DWN JR RUTH 10/20/98 CHK MS FEHER 10/20/98 APVD E HOWARD 10/20/98 PRODUCT SPEC APPLICATION SPEC
		0 PLC ± - 1 PLC ± - 2 PLC ± 0.25 [.010] 3 PLC ± - 4 PLC ± - ANGLES ± -		
MATERIAL	FINISH	WEIGHT	SIZE	RESTRICTED TO
NYLON	SEE TABLE-COLOR		A2 00779 C=521207	-
CUSTOMER DRAWING			SCALE 4:1	SHEET 1 OF 1 REV H



HOUSING, RECEPT, POSITIVE-LOCK, MKIII, 6.35 [.250] SERIES, 5 POSITION