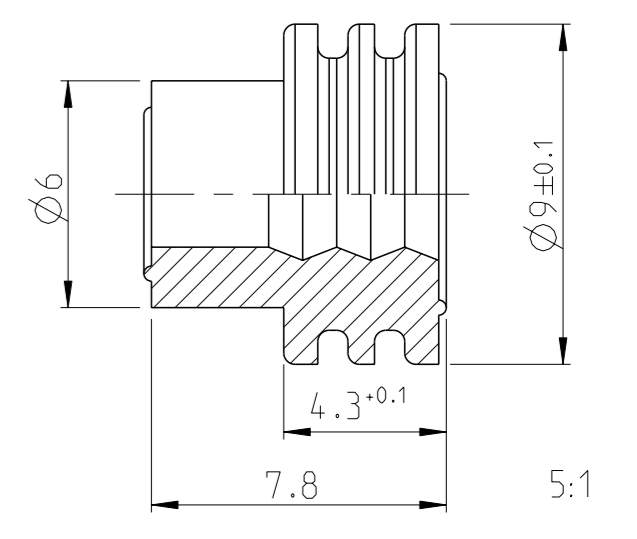
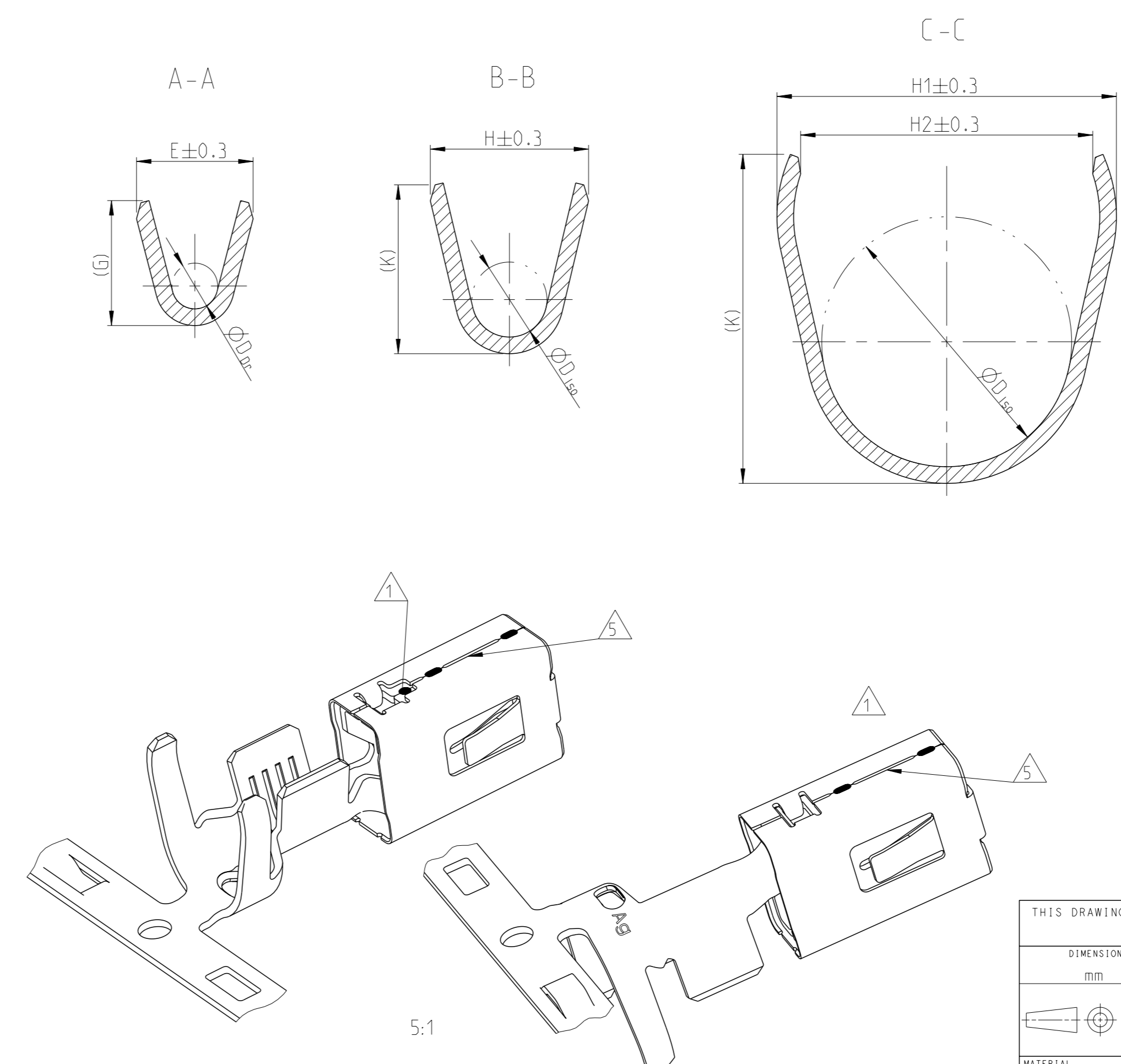


REVISIONS						
LOC	DIST	REV	DESCRIPTION	DATE	OWN	APVD
A1	-	A11	Note 7 added.	24SEP2014	Kirs.	Mair
		A12	PN 1241410-3 added. Drawing updated.	29SEP2014	Kirs.	Mair
		A13	Dimension 1.05 was at misleading position	11JAN2017	MAH.	BECK
		A14	Dimension min. 1.25 was at misleading position	08AUG2017	FRAN	BECK



SINGLE WIRE SEAL Einzel-Dichtung		
ORDER NO. Bestell-Nr.	INSULATION-Ø Isolations-Ø	COLOUR Farbe
2177018-1	1.2-2.0	YELLOW gelb
1394511-1	2.0-2.7	WHITE weiss
1823111-1	2.7-3.0	REDBROWN rotbraun
1394512-1	3.4-3.7	BLUE blau
1719043-1	4.0-4.5	GREEN gruen

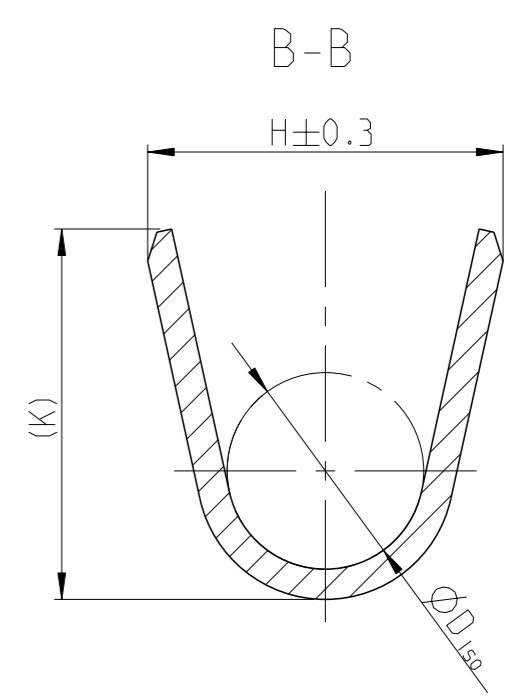
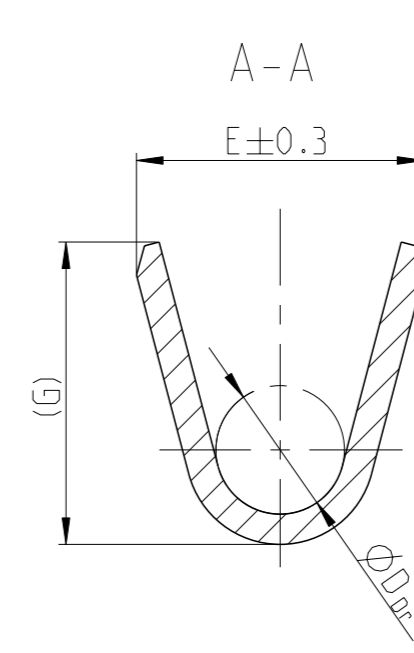
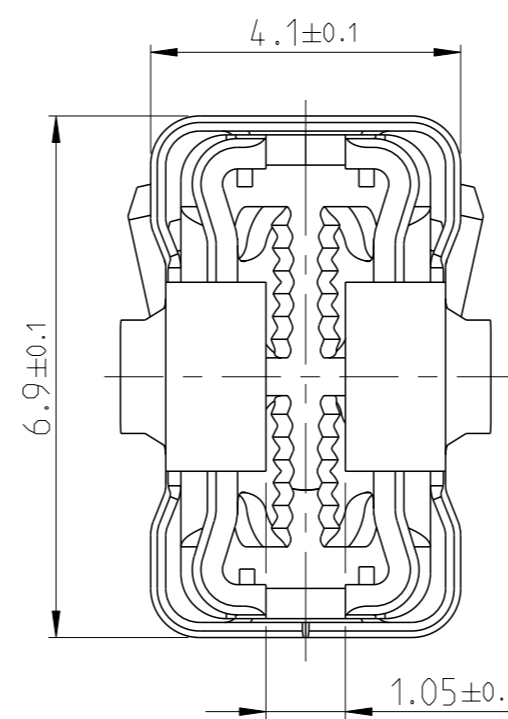
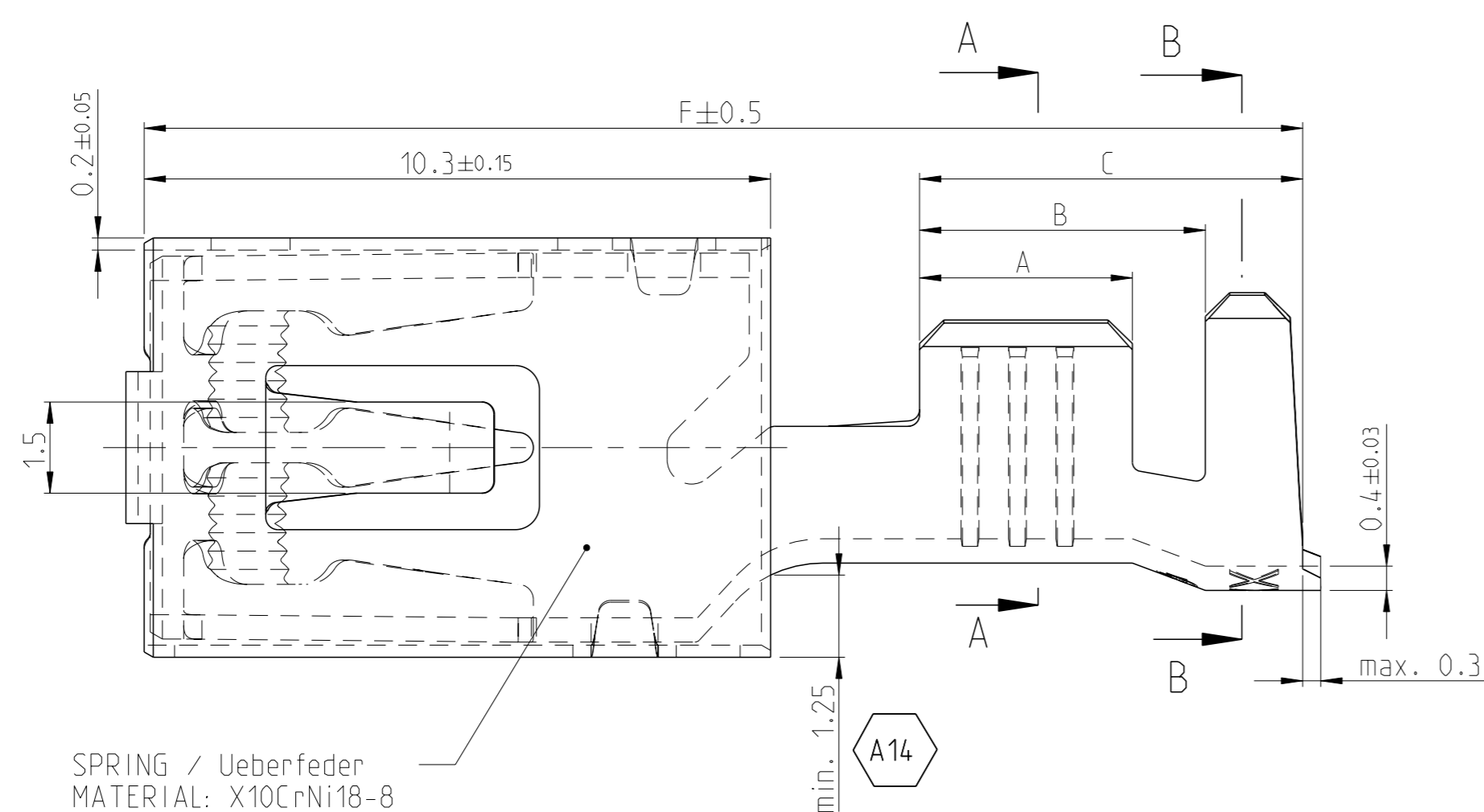
ORDER NO. STRIP	Rev.	WIRE RANGE Drahtgroessen Bereich (mm 2)	INSULATION-Ø Isolations-Ø (mm)	MATERIAL Werkstoff	SURFACE IN CONTACT AREA Oberflaeche im Kontaktbereich	A	B	C	F	WIRE CRIMP Drahtcrimp	INSULATION CRIMP Isolations Crimp
1241418-4	A				TIN PLATED / SnAg verzinkt / SnAg					E = 5.3 G = 5.6 D _{Dr} = 2.9	H1= 8.15 H2= 7.0 K = 7.9 D _{Iso} = 6.0
2-1241418-3	A	4.0-6.0	3.4-4.3	CuNiSi	SILVER PLATED versilbert	4.5	6.9	8.7	20.95		
1-1241418-3	A				SILVER PLATED versilbert						
1241416-3	A				SILVER PLATED versilbert					E = 4.6 G = 4.8 D _{Dr} = 2.4	H1= 8.15 H2= 7.0 K = 7.9 D _{Iso} = 6.0
1241416-1	A	>2.5-4.0	3.4-4.5	CuNiSi	TIN PLATED verzinkt	4.0	5.9	7.7	19.95		
1241414-3	A				SILVER PLATED versilbert					E = 3.8 G = 4.0 D _{Dr} = 1.7	H1= 8.15 H2= 7.0 K = 7.9 D _{Iso} = 5.7
1241414-1	A	>1.0-2.5	2.2-3.7	CuNiSi	TIN PLATED verzinkt	3.5	5.9	7.7	19.95		
1241412-3	A				SILVER PLATED versilbert					E = 2.8 G = 3.0 D _{Dr} = 1.1	H1= 7.8 H2= 6.7 K = 7.5 D _{Iso} = 5.5
1241412-1	A	0.5-1.0	1.4-2.7	CuNiSi	TIN PLATED verzinkt	3.0	5.4	7.2	19.95		
1241410-3	A				SILVER PLATED versilbert					E = 2.2 G = 2.2 D _{Dr} = 0.8	H1= 7.7 H2= 6.6 K = 7.5 D _{Iso} = 5.5
1241410-1	A	0.35-0.5	1.2-2.3	CuNiSi	TIN PLATED verzinkt	2.5	4.9	6.7	19.95		
2-1241408-3	A				SILVER PLATED versilbert					E = 5.3 G = 5.6 D _{Dr} = 2.9	H = 6.7 K = 7.0 D _{Iso} = 3.9
1-1241408-3	A	4.0-6.0	3.4-4.3	CuNiSi	SILVER PLATED versilbert	4.5	6.0	7.8	19.95		
1241408-1	A				TIN PLATED verzinkt						
1241406-3	A				SILVER PLATED versilbert					E = 4.6 G = 4.8 D _{Dr} = 2.4	H = 6.4 K = 6.7 D _{Iso} = 4.0
1241406-1	A	>2.5-4.0	3.4-4.5	CuNiSi	TIN PLATED verzinkt	4.0	5.2	6.8	19.05		
1241404-3	A				SILVER PLATED versilbert					E = 3.8 G = 4.0 D _{Dr} = 1.7	H = 4.7 K = 4.9 D _{Iso} = 2.6
1241404-1	A	>1.0-2.5	2.2-3.0	CuNiSi	TIN PLATED verzinkt	3.5	4.7	6.3	19.05		
1241402-3	A				SILVER PLATED versilbert					E = 2.8 G = 3.0 D _{Dr} = 1.1	H = 3.8 K = 4.1 D _{Iso} = 1.8
1241402-1	A	0.5-1.0	1.4-2.1	CuNiSi	TIN PLATED verzinkt	3.0	4.2	5.8	19.05		
-	-				-					E = 2.2 G = 2.2 D _{Dr} = 0.8	H = 3.1 K = 3.1 D _{Iso} = 1.4
1241400-1	A	0.2-0.5	1.1-1.6	CuNiSi	TIN PLATED verzinkt	2.5	3.8	6.6	19.05		
ORDER NO. STRIP	Rev.	WIRE RANGE Drahtgroessen Bereich (mm 2)	INSULATION-Ø Isolations-Ø (mm)	MATERIAL Werkstoff	SURFACE IN CONTACT AREA Oberflaeche im Kontaktbereich	A	B	C	F	WIRE CRIMP Drahtcrimp	INSULATION CRIMP Isolations Crimp
Bestell-Nr. Bandware						CRIMP DIMENSION Crimpabmessungen				(mm)	



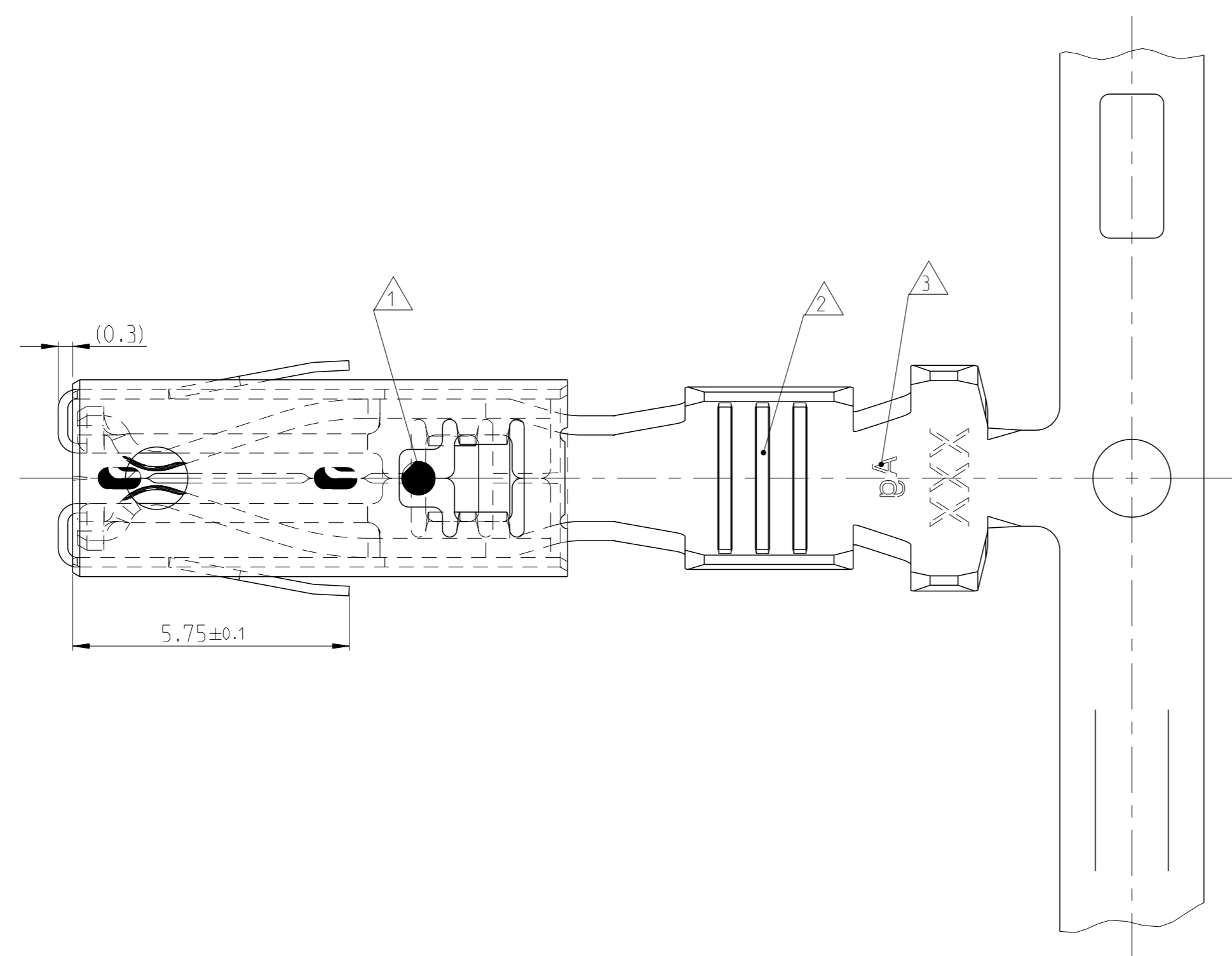
- NOTES
Bemerkungen
- 1 LASERWELDED Lasergeschweisst
 - 2 SINGLE WIRE SEAL TO BE SELECTED ACCORDING TO INSULATION-Ø Auswahl der Einzeldichtung entsprechend dem Isolations-Ø
 - 3 DIFFERENT FORM AND NUMBER OF THE SERRATIONS POSSIBLE Unterschiedliche Ausfuehrung und Anzahl der Rillen moeglich
 - 4 SILVER PLATED VERSIONS ARE MARKED WITH "Ag" Versilberte Versionen sind mit "Ag" gekennzeichnet
 - 5 DIFFERENT ASSEMBLY CAUSED BY PRODUCTION OF THE SPRING ON THE BODY. SPOTWELDS CAN BE ABOVE OR DOWN. Fertigungsbedingte unterschiedliche Montage der Ueberfeder auf dem Body moeglich. Der Stoss kann sich oben oder unten befinden.
 - 6 USED WITH TAB 0.8±0.03mm x 4.8 ... 6.3 ±0.1mm Verwendet mit Flachstecker 0.8±0.03mm x 4.8 ... 6.3 ±0.1mm
 - 7 "Ag+" MARKING ON SILVER PLATED VERSIONS FOR INCREASED LIMIT TEMPERATURE "Ag+" Markierung auf versilberten Versionen fuer erhoehnte Grenztemperatur

THIS DRAWING IS A CONTROLLED DOCUMENT.		OWN R. Meier 03DEC2001	TE Connectivity	
DIMENSIONS: mm		CHK R. Schaefer 03DEC2001	AMP MCP6.3/4.8K FLATCONTACT	
TOLERANCES UNLESS OTHERWISE SPECIFIED: ±0.2		APVD M. Bleicher 28JUL2011	AMP MCP6.3/4.8K Flachkontakt	
MATERIAL - FINISH -		PRODUCT SPEC 108-18718	PRODUCT GROUP DRAWING	
		APPLICATION SPEC 114-18388		
		WEIGHT -	SCALE 5:1 SHEET 1 OF 2 REV A14	
		Customer Drawing		

LOC	DIST	REV	DESCRIPTION	DATE	OWN	APVD
A1	-		SEE SHEET 1			

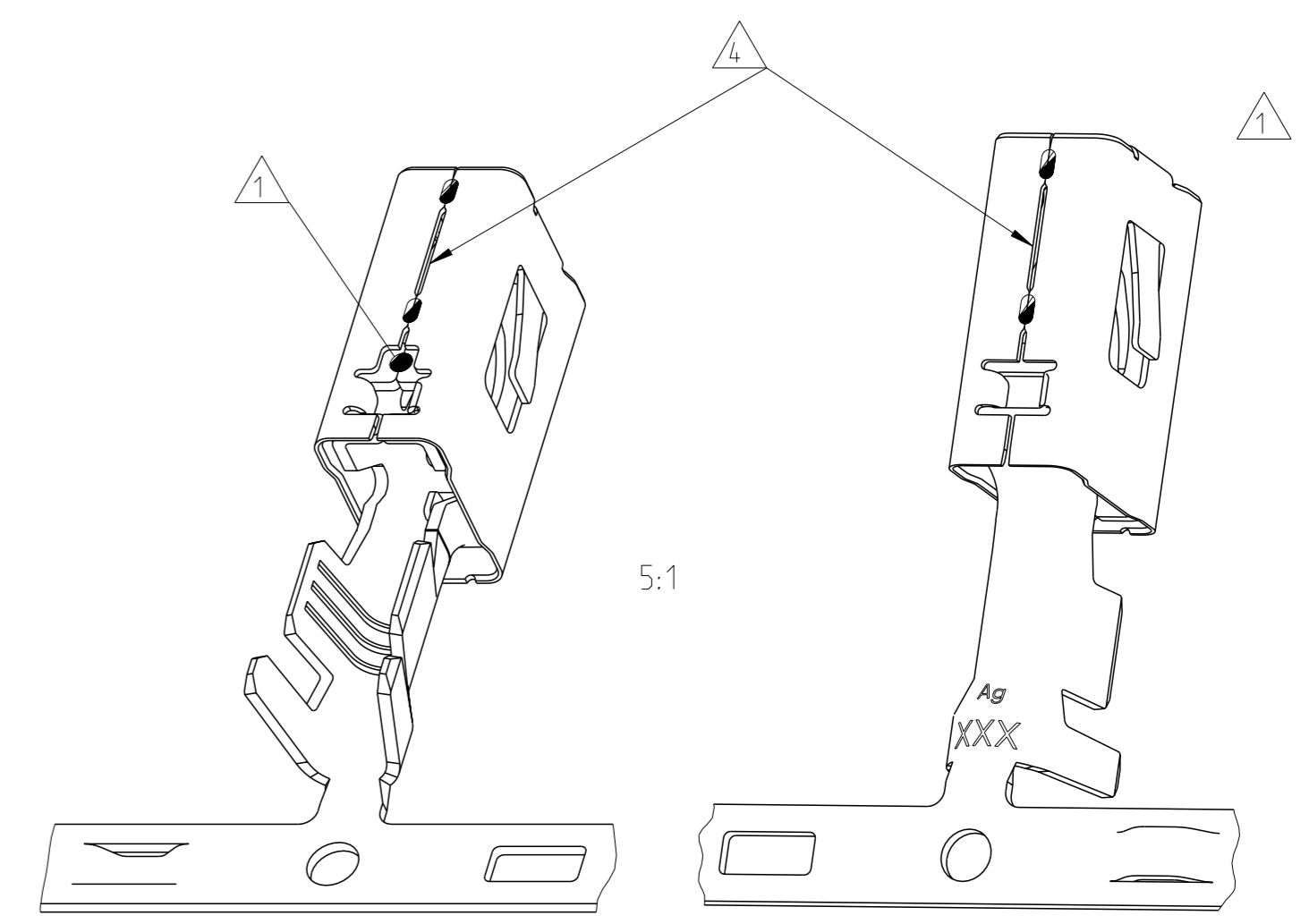


SPRING / Ueberfeder
 MATERIAL: X10CrNi18-8



NOTES
 Bemerkungen

- 1 LASERWELDED
 Lasergeschweisst
- 2 DIFFERENT FORM AND NUMBER OF THE SERRATIONS POSSIBLE
 Unterschiedliche Ausfuehrung und Anzahl der Rillen moeglich
- 3 SILVER PLATED VERSIONS ARE MARKED WITH "Ag"
 Versilberte Versionen sind mit "Ag" gekennzeichnet
- 4 DIFFERENT ASSEMBLY CAUSED BY PRODUCTION OF THE SPRING ON THE BODY.
 SPOTWELDS CAN BE ABOVE OR DOWN.
 Fertigungsbedingte unterschiedliche Montage der Ueberfeder auf dem Body moeglich.
 Der Stoss kann sich oben oder unten befinden.
- 5 USED WITH MEDIUM FUSE 0.64±0.04mm x 5.25 ±0.15mm
 (COMPLIANT WITH ATO® FUSE TECHNOLOGY)
 ATO® IS A REGISTERED TRADE MARK OF LITTELFUSE INC.
 Verwendet mit Medium Sicherung 0.64±0.04mm x 5.25 ±0.15mm
 (kompatibel mit ATO®-fuse Technologie)
 ATO® ist ein eingetragener Markenname von Littelfuse Inc.



ORDER NO. STRIP Bestell-Nr. Bandware	Rev.	WIRE RANGE Drahtgroessen Bereich (mm 2)	INSULATION- Ø Isolations- Ø (mm)	MATERIAL Werkstoff	SURFACE IN CONTACT AREA Oberflaeche im Kontaktbereich	A	B	C	F	WIRE CRIMP Drahtcrimp	INSULATION CRIMP Isolations Crimp
1-2177995-3	A	>4.0-6.0	4.0-4.3	CuNiSi	SILVER PLATED versilbert	4.5	6.0	7.8	19.95	E = 5.3 G = 5.6 D _{Dr} = 2.9	H = 6.7 K = 7.0 D _{Iso} = 3.9
-	-	>2.5-4.0	3.3-4.5	CuNiSi	SILVER PLATED versilbert	4.0	5.2	6.8	19.05	E = 4.6 G = 4.8 D _{Dr} = 2.4	H = 6.4 K = 6.7 D _{Iso} = 4.0
1-2208461-3	A	>1.0-2.5	2.2-3.0	CuNiSi	SILVER PLATED versilbert	3.5	4.7	6.3	19.05	E = 3.8 G = 4.0 D _{Dr} = 1.7	H = 4.7 K = 4.9 D _{Iso} = 2.6
-	-	0.5-1.0	1.4-2.1	CuNiSi	SILVER PLATED versilbert	3.0	4.2	5.8	19.05	E = 2.8 G = 3.0 D _{Dr} = 1.1	H = 3.8 K = 4.1 D _{Iso} = 1.8

CRIMP DIMENSION
 Crimpabmessungen (mm)

THIS DRAWING IS A CONTROLLED DOCUMENT. **STE** TE Connectivity

DIMENSIONS: mm	TOLERANCES UNLESS OTHERWISE SPECIFIED: ±0.2	OWN: J.Kirschbaum 12DEC2013 CHK: A.Mairhofer 13DEC2013 APVD: C.Goepffel 13DEC2013	NAME: AMP MCP6.3/4.8K FLATCONTACT AMP MCP6.3/4.8K Flachkontakt PRODUCT GROUP DRAWING
MATERIAL: -	FINISH: -	SIZE: 116-18388 CAGE CODE: 00779 DRAWING NO: 1241438	RESTRICTED TO: -

Customer Drawing SCALE 10:1 SHEET 2 OF 2 REV. A14