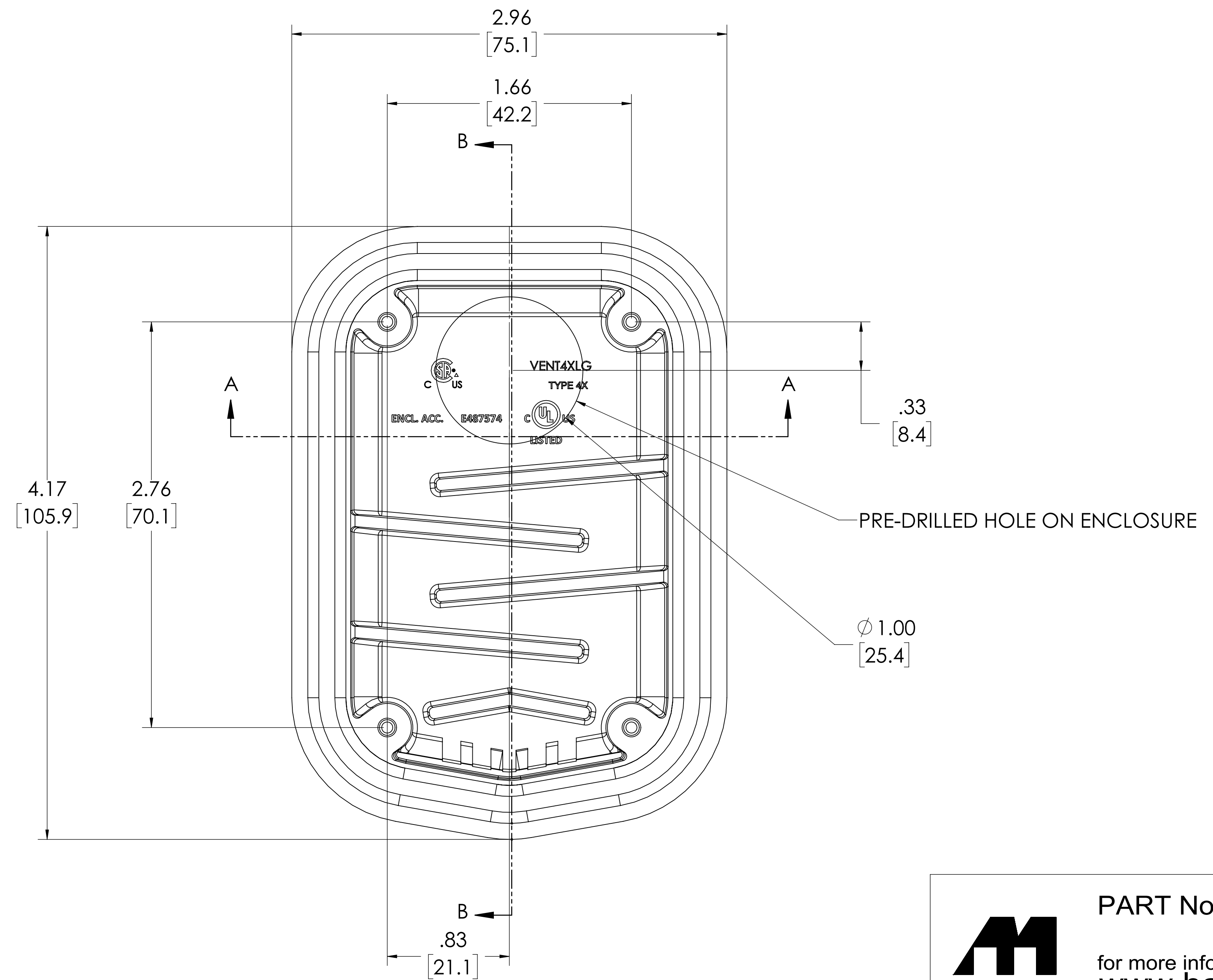
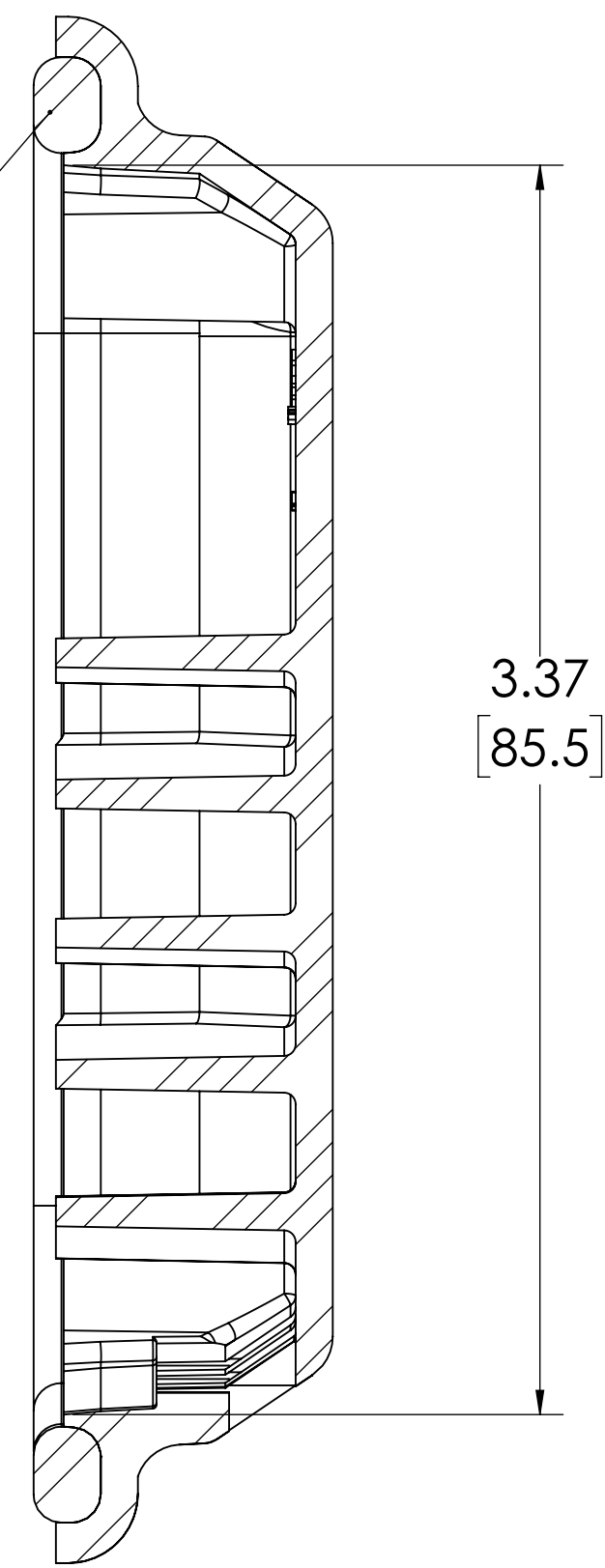
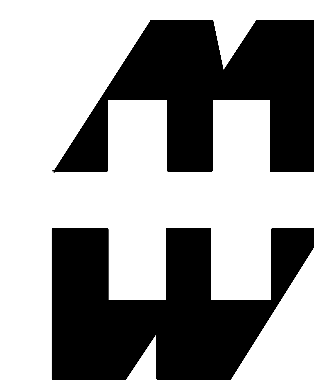


FIP POLYURETHANE GASKET



MATERIAL:
 BOX: INJECTION MOLDED POLYCARBONATE
 SCREWS: (4) INCLUDED FOR MOUNTING, 316 S.S.
 #8-18 X 1/2" LONG

NOTE: DATA SUBJECT TO CHANGE



PART No. SDVN4XN2

for more information visit
www.hammfg.com
 Data subject to change without notice
 Drawing Not to Scale