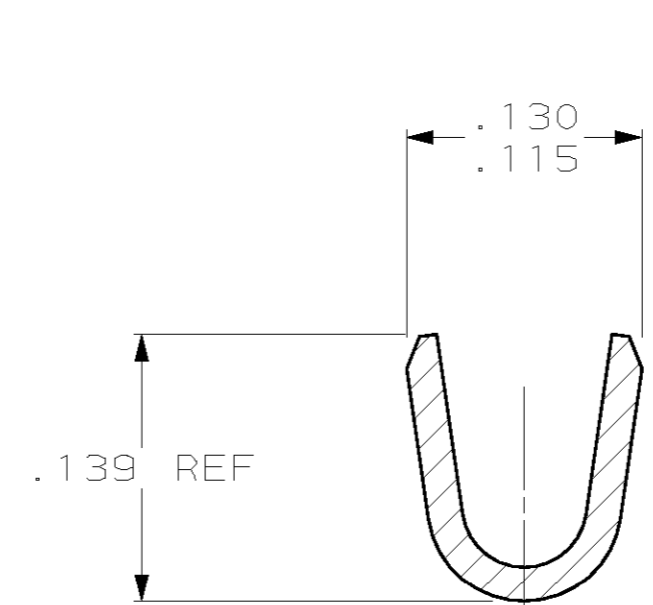
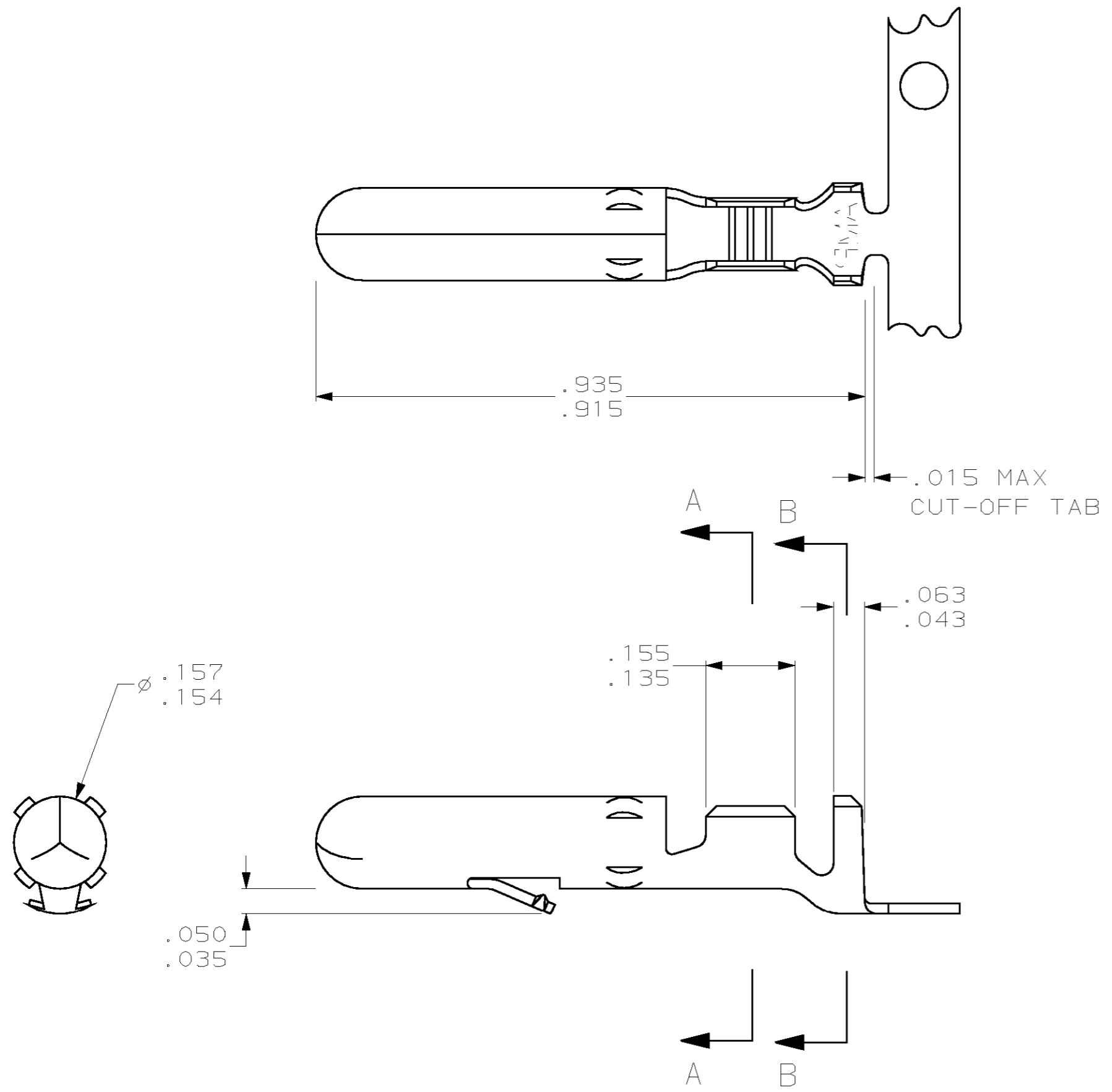


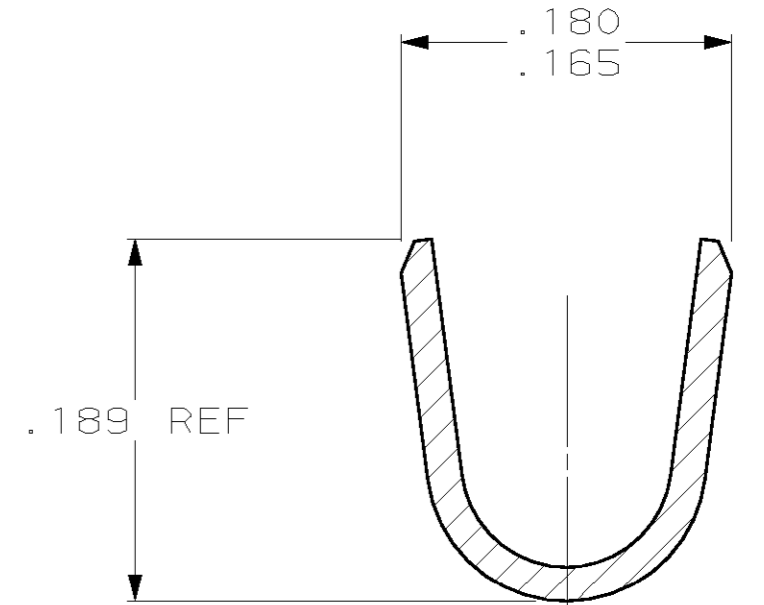
THIS DRAWING IS UNPUBLISHED. RELEASED FOR PUBLICATION .19
 © COPYRIGHT 19 BY AMP INCORPORATED. ALL RIGHTS RESERVED.

LOC	DIST	REVISIONS			
P	LTR	DESCRIPTION	DATE	DWN	APVD
CM	53	N	REVISED PER EC 063B-0079-00	21-FEB-00	KW SR

1. WIRE RANGE: 20-14 (0.5-2mm²) AWG
 INSULATION RANGE: .125 MAX.



SECTION A-A
SCALE 10:1

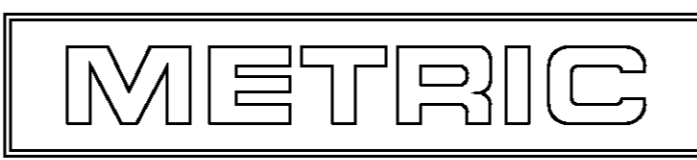


SECTION B-B
SCALE 10:1

PRELIMINARY	TIN	.018 PH BRZ	61086-3
	TIN	.018 BRASS	61086-1
	FINISH	MATERIAL	PART NO

IN	MM	IN	MM	IN	MM	IN	MM
.050	1.27	.139	3.53	.180	4.57	-	-
.043	1.09	.135	3.43	.165	4.19	-	-
.035	0.89	.130	3.30	.157	3.99	-	-
.018	0.46	.125	3.18	.156	3.96	.935	23.75
.015	0.38	.115	2.92	.155	3.94	.915	23.24
.005	0.13	.063	1.60	.154	3.91	.189	4.80
IN	MM	IN	MM	IN	MM	IN	MM

CONVERSION TABLE



THIS DRAWING IS A CONTROLLED DOCUMENT.

DWN	J. HUFFMAN	9-12-96
CHK	R. SWING	9-12-96
APVD	C. MARTIN	9-12-96

AMP AMP Incorporated
Harrisburg, PA 17105-3608

PIN,
.156 MATE-N-LOK™

SIZE	A2	CAGE CODE	00779	DRAWING NO	C-61086
WEIGHT	-	SCALE	5:1	SHEET	1 OF 1
CUSTOMER DRAWING		REV	N		