

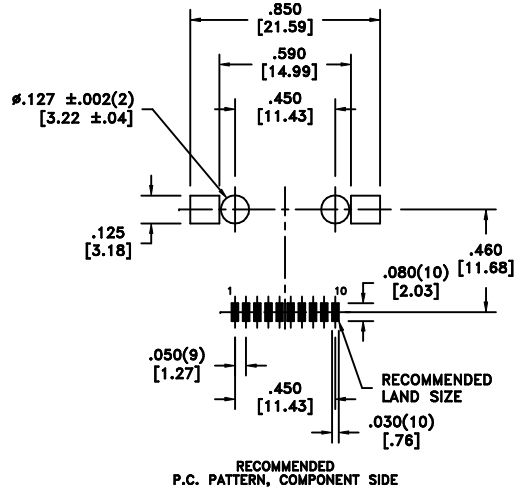
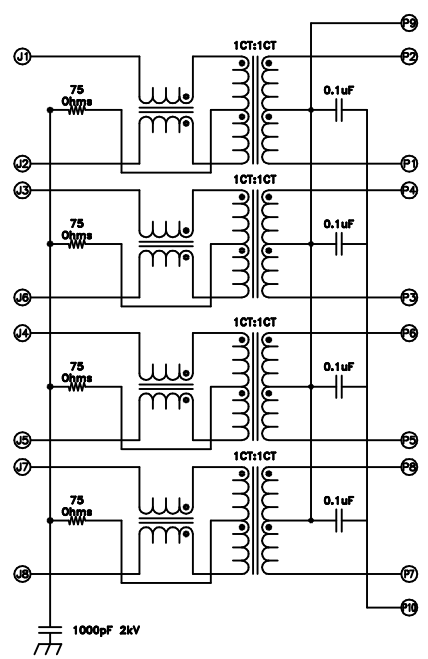
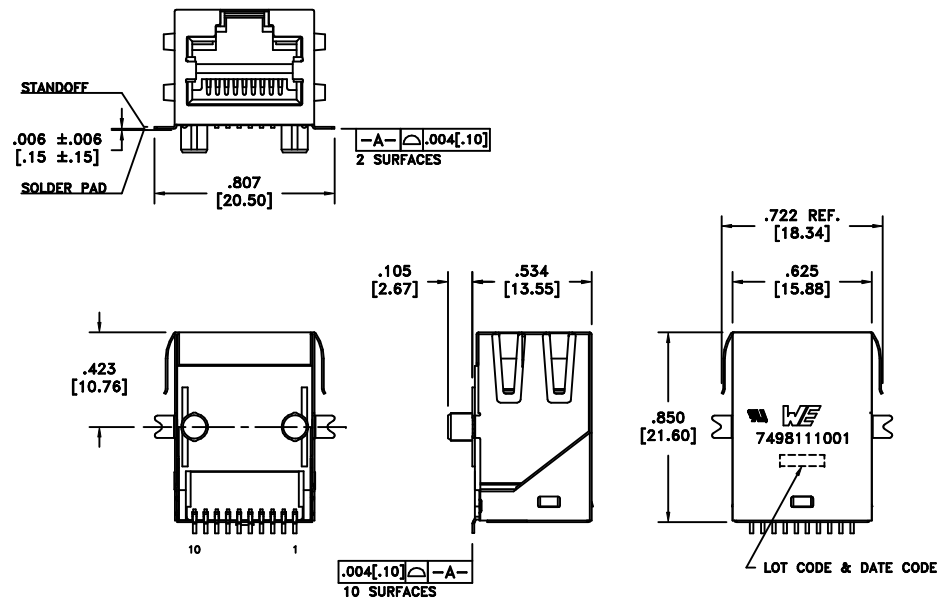
CUSTOMER TERMINAL	RoHS	LEAD(Pb)-FREE
Sn100%	Yes	No

more than you expect



ELECTRICAL SPECIFICATIONS @ 25°C unless otherwise noted:

PARAMETER	TEST CONDITIONS	VALUE
INDUCTANCE	J1-J2 100kHz, 100mVAC, 8mADC, Lp	350uH min.
INDUCTANCE	J3-J6 100kHz, 100mVAC, 8mADC, Lp	350uH min.
INDUCTANCE	J4-J5 100kHz, 100mVAC, 8mADC, Lp	350uH min.
INDUCTANCE	J7-J8 100kHz, 100mVAC, 8mADC, Lp	350uH min.
Ⓟ DIELECTRIC	P1-J1 tie(P1 thru P10+Shld, J1 thru J8)	2250VDC, 1 minute
URNS RATIO	Per schematic	-
INSERTION LOSS	1M - 100MHz	-1.0dB max.
RETURN LOSS	1M - 30MHz	-18dB min.
RETURN LOSS	30M - 60MHz	-15dB min.
RETURN LOSS	60M - 80MHz	-12dB min.
RETURN LOSS	80M - 100MHz	-10dB min.
CROSSTALK	1M - 30MHz	-37dB min.
CROSSTALK	30M - 60MHz	-32dB min.
CROSSTALK	60M - 100MHz	-27dB min.
CMRR	1M - 30MHz	-35dB min.
CMRR	30M - 100MHz	-30dB min.



GENERAL SPECIFICATIONS:

OPERATING TEMPERATURE RANGE: -40°C to +85°C (UL approved at 0°C to +70°C).

MATERIAL AND FINISH:

Housing: Thermoplastic LCP Black per UL94 V-0
 Shield: Brass with semi-bright nickel plating
 Contact: Phosphor Bronze, base material
 Contact Plating: 100% tin plating with nickel underplating, 15u" gold plating on contact area

RJ45 Jack cavity conforms to FCC rules and regulations Part 68.

AGENCY NUMBER	
UL60950-1	E205930

REV.	DATE	Packaging Specifications Method: Tape & Reel PKG-0563 www.we-online.com/midcom		Tolerances unless otherwise specified: Angles: ±1° Fractions: ±1/64 Decimals: ±.010 [.25] Footprint: ±.003 [.08]	DRAWING TITLE TRANSFORMER 10/100/1000Mbs eiSos p/n: 7498111001	PART NO. 7498111001
6B	7/12	SEE REVISION SHEET FOR REVISION LEVEL		This drawing is dual dimensioned. Dimensions in brackets are in millimeters.		
6A	8/11					SPECIFICATION SHEET 1 OF 1

