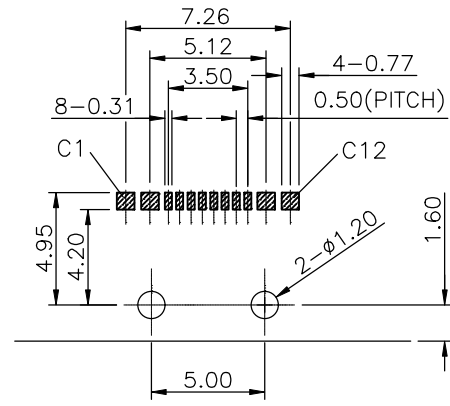
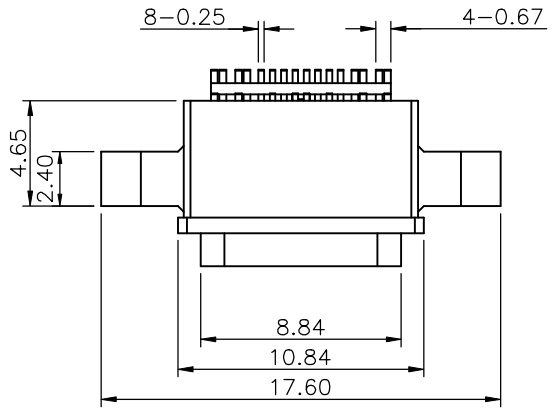
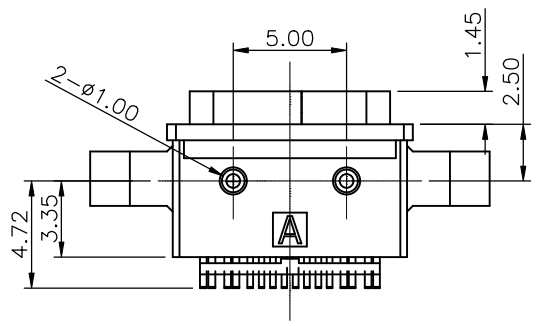
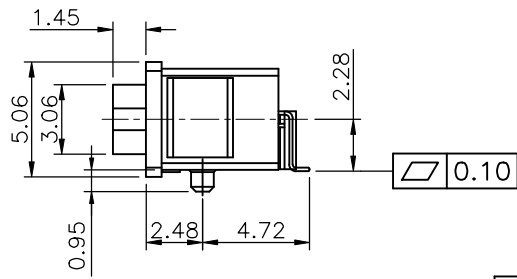
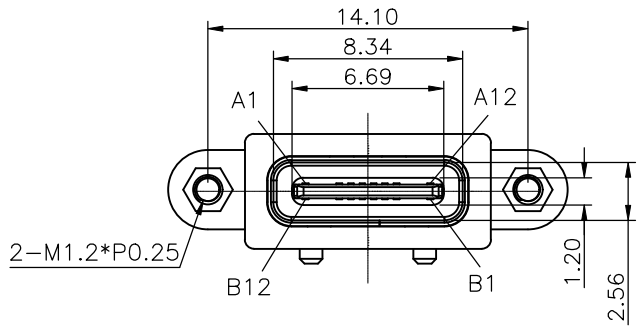


REV.	DESCRIPTION	DRAWN	DATE
1	INITIAL RELEASE	Michael	2025/02/20
2	ECR250512001	Fros	2025/05/12




RECOMMENDED PCB LAYOUT(TOP VIEW)  
GENERAL TOLERANCE: ±0.05mm

1. ELECTRICAL :
- 1-1. Current Rating:  
5A (VBUS 1.5A) (GND 1.25A) (Other 0.25A)
  - 1-2. Insulation Resistance:  
100M MIN. at 250VDC.
  - 1-3. Dielectric Withstanding Voltage:  
100VAC MIN.
  - 1-4. Low Level Contact Resistance :  
Initial 40mΩ MAX. after 50mΩ MAX.
  - 1-5. Voltage : 20V
- 2.MECHANICAL :
- 2-1. Mating Force: 5~20N. ;
  - 2-2. Unmating Force:  
8~20N (Initial), 6~20N (after 10000 cycles);
  - 2-3. Durability : 10,000
  - 2-4. Operating Temperature:-40°C to +85°C



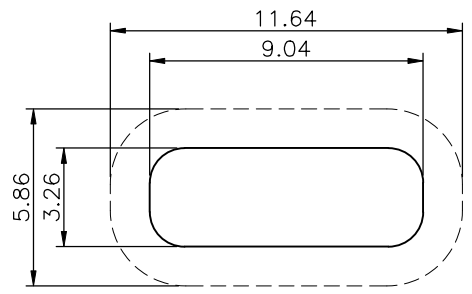
4	O-RING	Silicone
3	SHELL	Stainless steel, Nickel plating
2	CONTACT	Copper Nickel Silicon Alloy, 3u" Gold plating over Nickel
1	HOUSING	High temp. UL94V-0, black
NO.	PART NAME	DESCRIPTION

UNLESS OTHERWISE SPECIFIED TOLERANCE					
UNIT:	DECIMAL	LINEAR			ANGLES
mm	X.	±0.50	±5°		
	X.X	±0.25	±3°		
	X.XX	±0.12	±1°		
www.attend.com.tw					
DRAWN	Michael	2025/04/22	DRAWN NAME: USB Type C Receptacle, 16 Pin Single Row, SMD Type, IP68 Waterproof, w/ Oring, 3u"		
CHECKED	Fros	2025/04/22			
APPROVED	Ken	2025/04/22	PRODUCT NO.	217B-BB10	
SCALE	3/1	SHEET	1/2	SIZE	A4
		FILE NAME	217B-BB10_B_2		

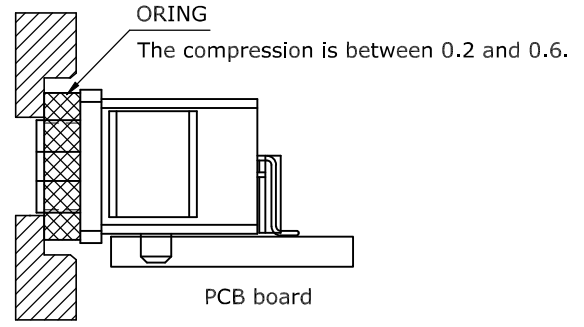
REV.	DESCRIPTION	DRAWN	DATE
------	-------------	-------	------

**PIN ASSIGNMENT:**

PIN NO.	A1 & B12	A4 & B9	B8	A5	B7	A6	A7	B6	A8	B5	A9 & B4	A12 & B1
SINGAL NAME	GND	VBUS	SBU2	CC1	DN2	DP1	DN1	DP2	SBU1	CC2	VBUS	GND
PCB PAD NO.	C1	C2	C3	C4	C5	C6	C7	C8	C9	C10	C11	C12

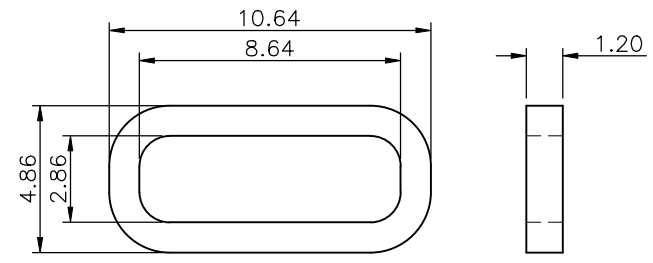



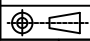
RECOMMENDED PANEL CUT



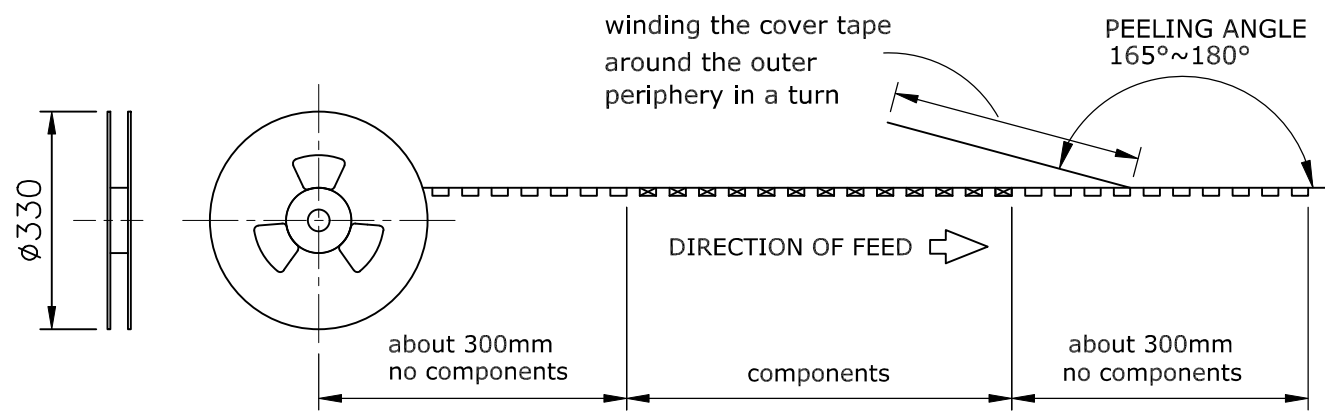
**ORING:**

PART NUMBER: 217-0010  
 The connector part number does not include ORING, so you must place an order separately when purchasing.



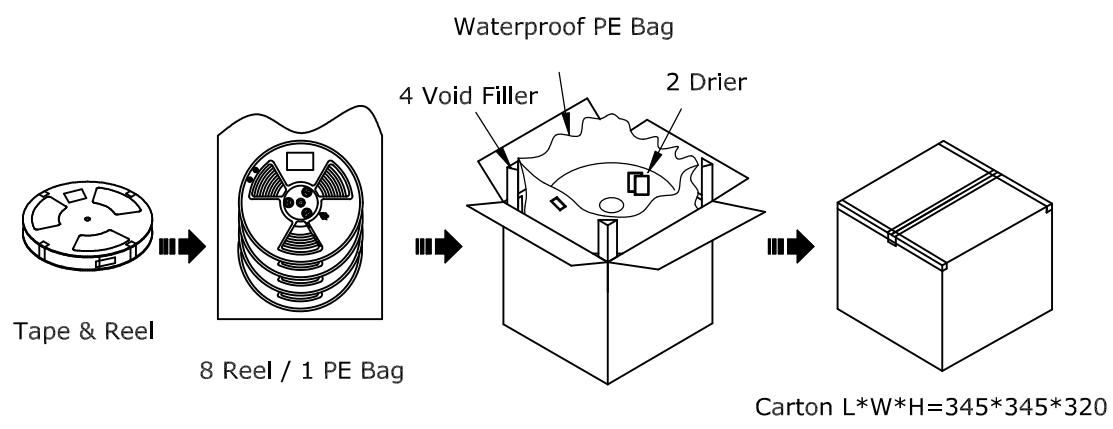
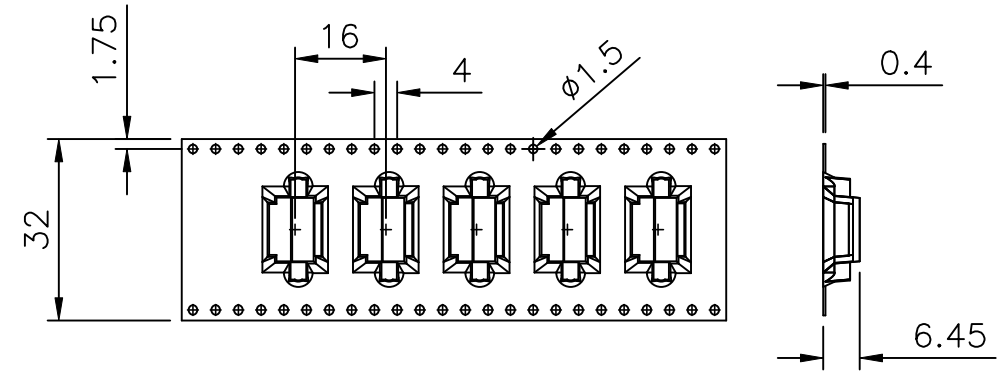
UNLESS OTHERWISE SPECIFIED TOLERANCE				
UNIT:	DECIMAL	LINEAR	ANGLES	
mm	X.	±0.50	±5°	
	X.X	±0.25	±3°	www.attend.com.tw
	X.XX	±0.12	±1°	
DRAWN	Michael	2025/04/22	DRAWN NAME: USB Type C Receptacle, 16 Pin Single Row, SMD Type, IP68 Waterproof, w/ Oring, 3u"	
CHECKED	Fros	2025/04/22		
APPROVED	Ken	2025/04/22	PRODUCT NO.	217B-BB10
	SCALE 4/1	SHEET 2/2	SIZE A4	FILE NAME 217B-BB10_B_2


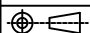
REV.	DESCRIPTION	DRAWN	DATE
1	INITIAL RELEASE	Michael	2025/02/20



## PACKAGING SPECIFICATION:

1. MATERIAL
  - 1.1 Embossed Carrier Tape: PS Black
  - 1.2 Top Cover Tape: PET 20-80g(Peel Speed 300mm/Minute)
  - 1.3 Taping Reel: Paper
2. PACKING
  - 2.1 Quantity:
    - 700 Piece/Reel
    - 5600 Piece/Outer Carton



UNLESS OTHERWISE SPECIFIED TOLERANCE					
UNIT:	DECIMAL	LINEAR	ANGLES		
mm	X.	±0.50	±5°	www.attend.com.tw	
	X.X	±0.25	±3°		
	X.XX	±0.12	±1°		
DRAWN	Michael	2025/04/22	DRAWN NAME: USB Type C Receptacle, 16 Pin Single Row, SMD Type, IP68 Waterproof, w/ Oring, 3u"		
CHECKED	Fros	2025/04/22	PRODUCT NO. 217B-BB10		
APPROVED	Ken	2025/04/22	FILE NAME 217B-BB10_D_1		
	SCALE N/A	SHEET 1/1	SIZE A4		