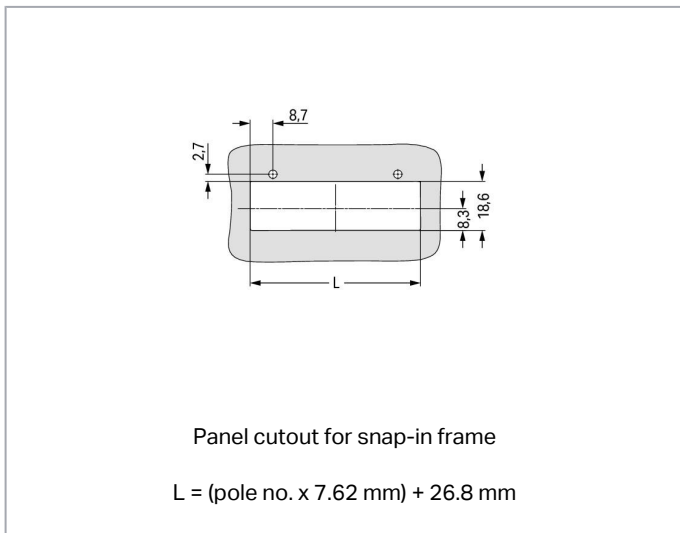
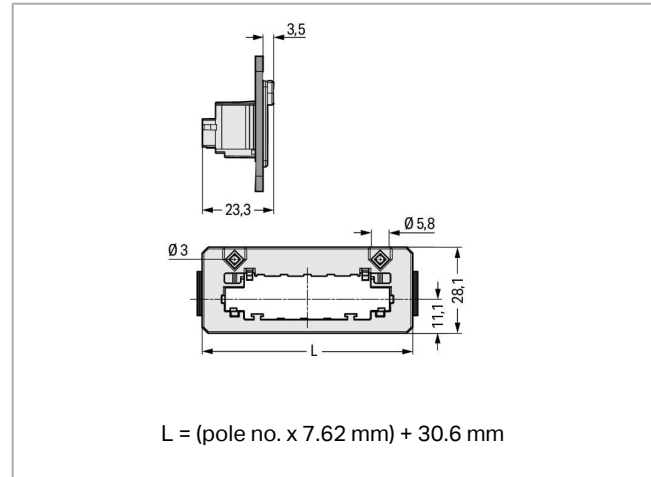
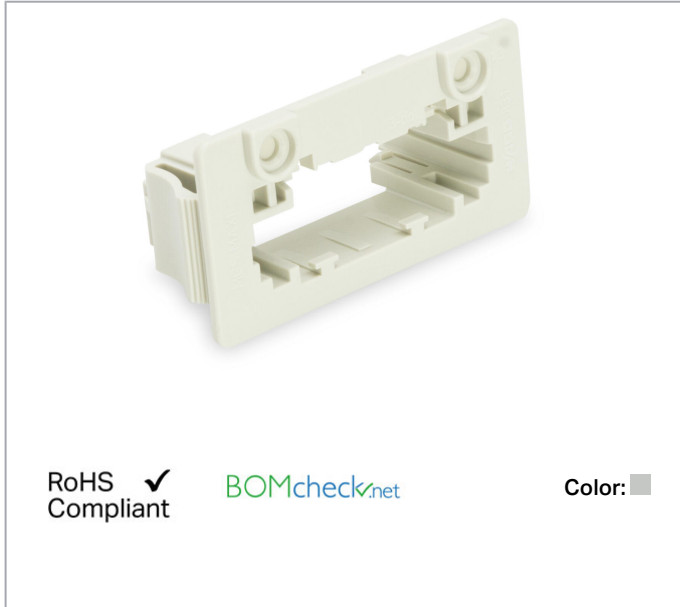


## Data sheet | Item number: 831-303

Snap-in frame; 1 part; Pin spacing 7.62 mm; 3-pole; light gray

[www.wago.com/831-303](http://www.wago.com/831-303)



### Item description

- Snap-in frames for through-panel MCS MAXI connectors
- Fast and easy installation – without tools
- Compatible with MCS MAXI male and female connectors

Subject to changes. Please also observe the further product documentation!

WAGO Kontakttechnik GmbH & Co. KG  
Hansastr. 27  
32423 Minden  
Phone: +49571 887-0 | Fax: +49571 887-169  
Email: [info.de@wago.com](mailto:info.de@wago.com) | Web: [www.wago.com](http://www.wago.com)

Do you have any questions about our products?  
We are always happy to take your call at +49 (571) 887-44222.



- For panel thickness ranging from 0.5 to 2.5 mm
- Optional screw mounting

## Data

### Physical data

Width	53.46 mm / 2.105 inch
Height	28.1 mm / 1.106 inch
Depth	23.3 mm / 0.917 inch

### Mechanical data

Mounting type	Snap-in
Mounting type	Feed-through mounting

### Material data

Color	light gray
Weight	6.1 g

### Commercial data

Packaging type	BOX
Country of origin	DE
GTIN	4055143564854
Customs tariff number	39269097900

## Downloads

### Documentation

#### Additional Information

Technical explanations	3. 4. 2019	pdf 2.0 MB	Download
------------------------	------------	---------------	----------

### CAD/CAE-Data

#### CAD data

2D/3D Models 831-303	URL	Download
----------------------	-----	----------

#### CAE data

ZUKEN Portal 831-303

Subject to changes. Please also observe the further product documentation!

WAGO Kontakttechnik GmbH & Co. KG  
Hansastr. 27  
32423 Minden  
Phone: +49571 887-0 | Fax: +49571 887-169  
Email: [info.de@wago.com](mailto:info.de@wago.com) | Web: [www.wago.com](http://www.wago.com)

Do you have any questions about our products?  
We are always happy to take your call at +49 (571) 887-44222.

## Environmental Product Compliance

### Compliance Search

Environmental Product Compliance 831-303

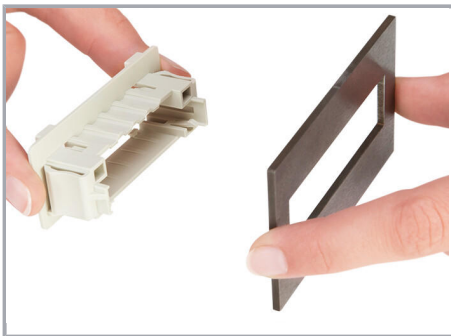
[URL](#)

[Download](#)

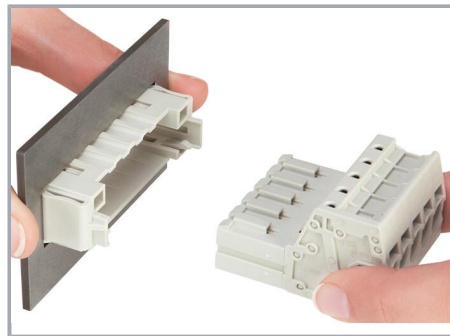
Snap-in frame; 1 part; Pin spacing 7.62 mm; 3-pole; light gray

## Installation Notes

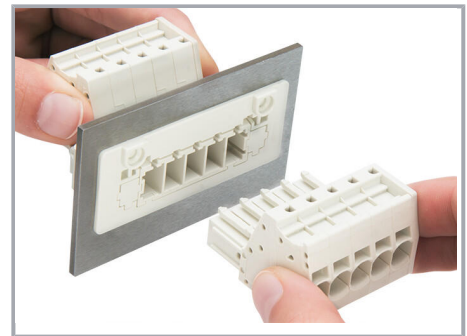
### Installation



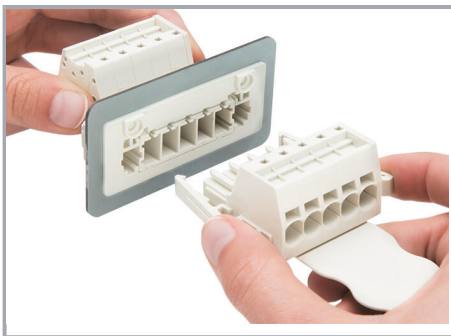
Insert the snap-in frame into the cutout.



Insert the male connector into the snap-in frame.



Inserting a female connector without lateral locking levers – lockout pins are inserted on both sides of the snap-in frame.



Inserting a female connector equipped with lateral locking levers.

Subject to changes. Please also observe the further product documentation!