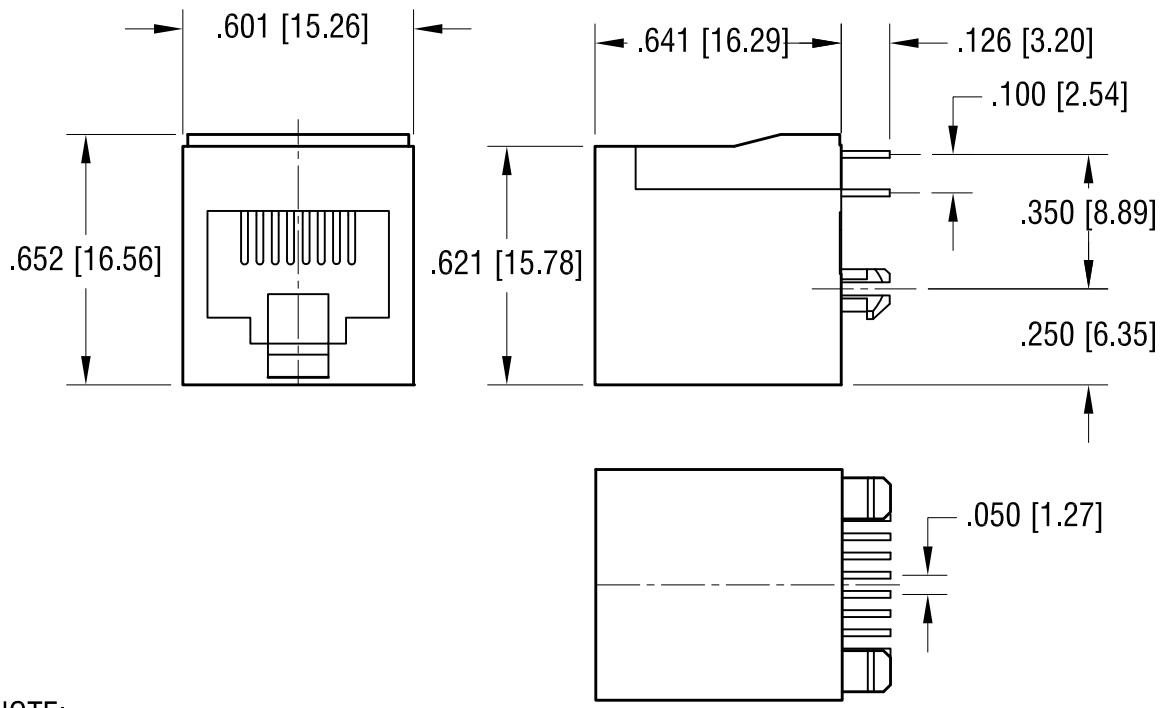
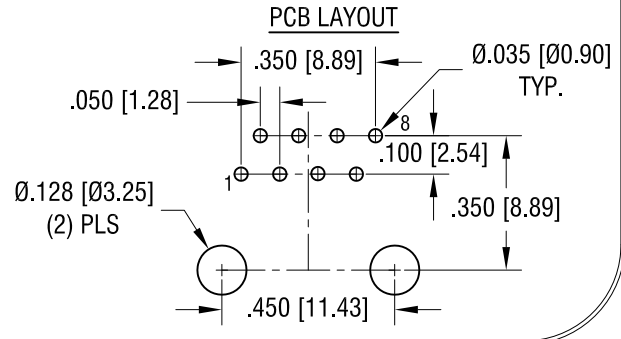
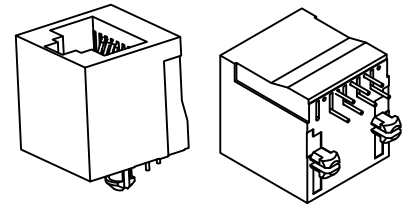


THIS DOCUMENT IS THE PROPERTY OF  
KEYSTONE ELECTRONICS CORP. AND  
SHALL NOT BE REPRODUCED, DISTRIBUTED  
OR USED AS A BASIS FOR MANUFACTURE  
WITHOUT PRIOR WRITTEN PERMISSION  
FROM KEYSTONE ELECTRONICS CORP.

**ACTUAL SIZE**



**NOTE:**

1. INSULATOR: MAT'L- THERMOPLASTIC, COLOR BLACK  
RATED UL 94V-0
2. CONTACT: MAT'L - .014 [0.35] TH'K PHOSPHOR BRONZE  
FINISH- GOLD PLATE, OVER NICKEL ON CONTACT  
TIN, OVER COPPER ON SOLDER TAILS
3. OPERATING VOLTAGE: 125 VAC.Rms.  
CURRENT RATING- 1.5 Amps  
CONTACT RESISTANCE- 40 m Ω MAX.  
INSULATION RESISTANCE- 1000 M Ω MIN. @500 VDC
4. DIELECTRIC STRENGTH: 1000 VAC Rms 60Hz, 1Min..
5. STORAGE TEMPERATURE:  
-40°F (-40°C) TO +176°F (+85°C)  
OPERATION TEMPERATURE:  
-4°F (-20°C) TO 167°F (+75°C)

<b>KEYSTONE ELECTRONICS CORP.</b>			
www.keyelco.com • ASTORIA, N.Y. 11105-2017 • Tel (718) 956-8900			
PART NAME MODULAR KEYSTONE JACK, 8P8C, VERTICAL			
MATERIAL AS NOTED			
FINISH AS NOTED		DRN BY NT	DATE 3.07.15
		APP'D LN	SCALE 2X
TOLERANCES	INCH [MM]	CODE	DWG NO.
DECIMAL	± .005 [± 0.13]	C	949
ANGULAR	± 1°		
UNLESS OTHERWISE SPECIFIED			

DATE	DESCRIPTION	REV.