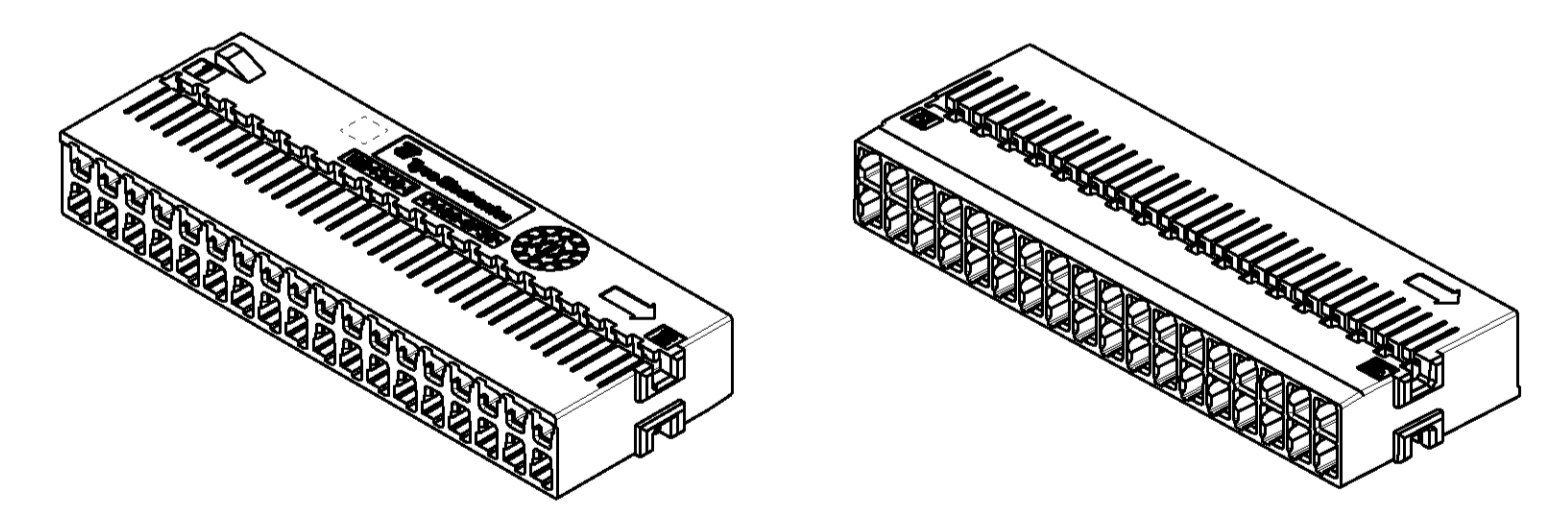
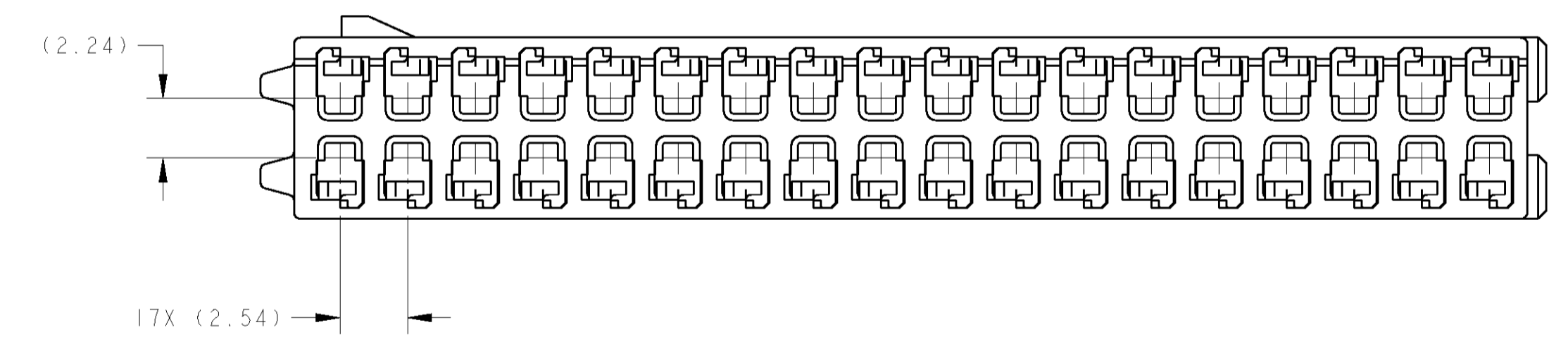
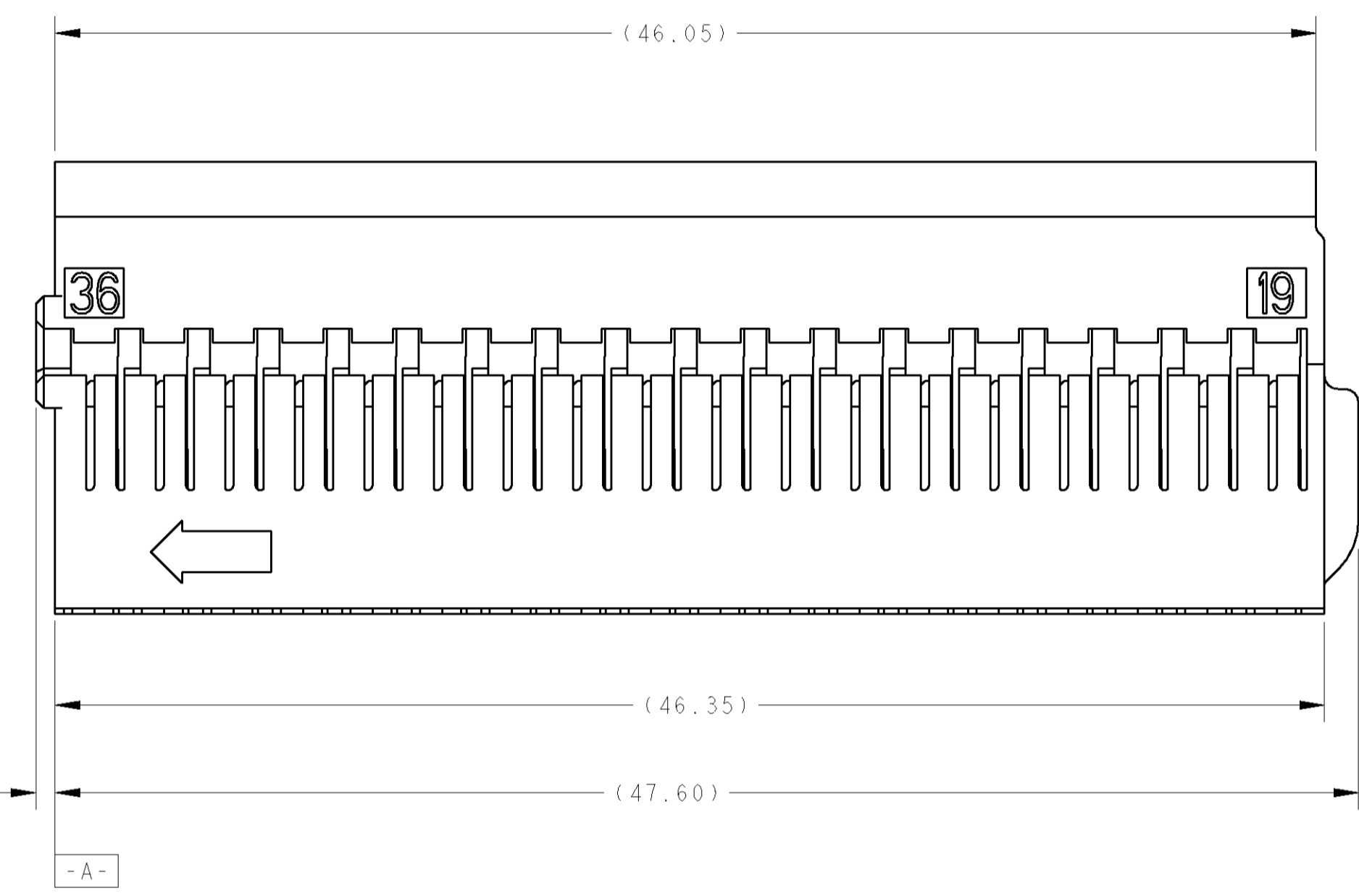
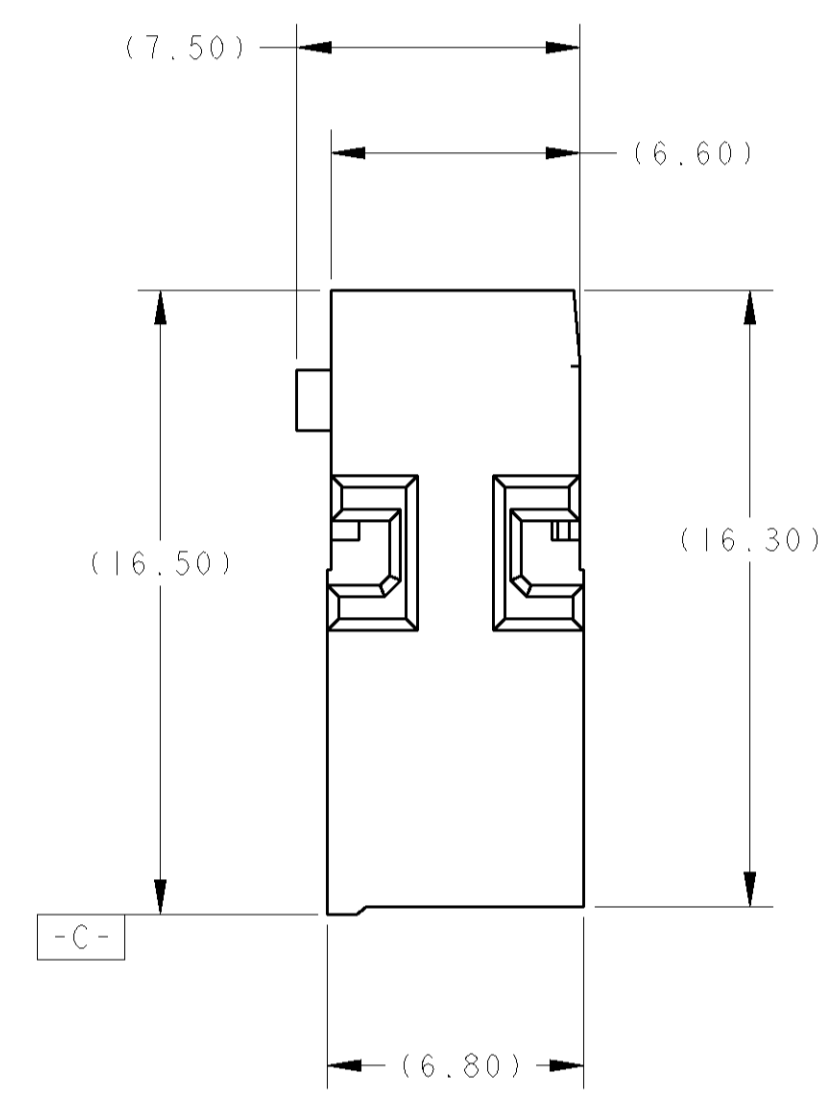
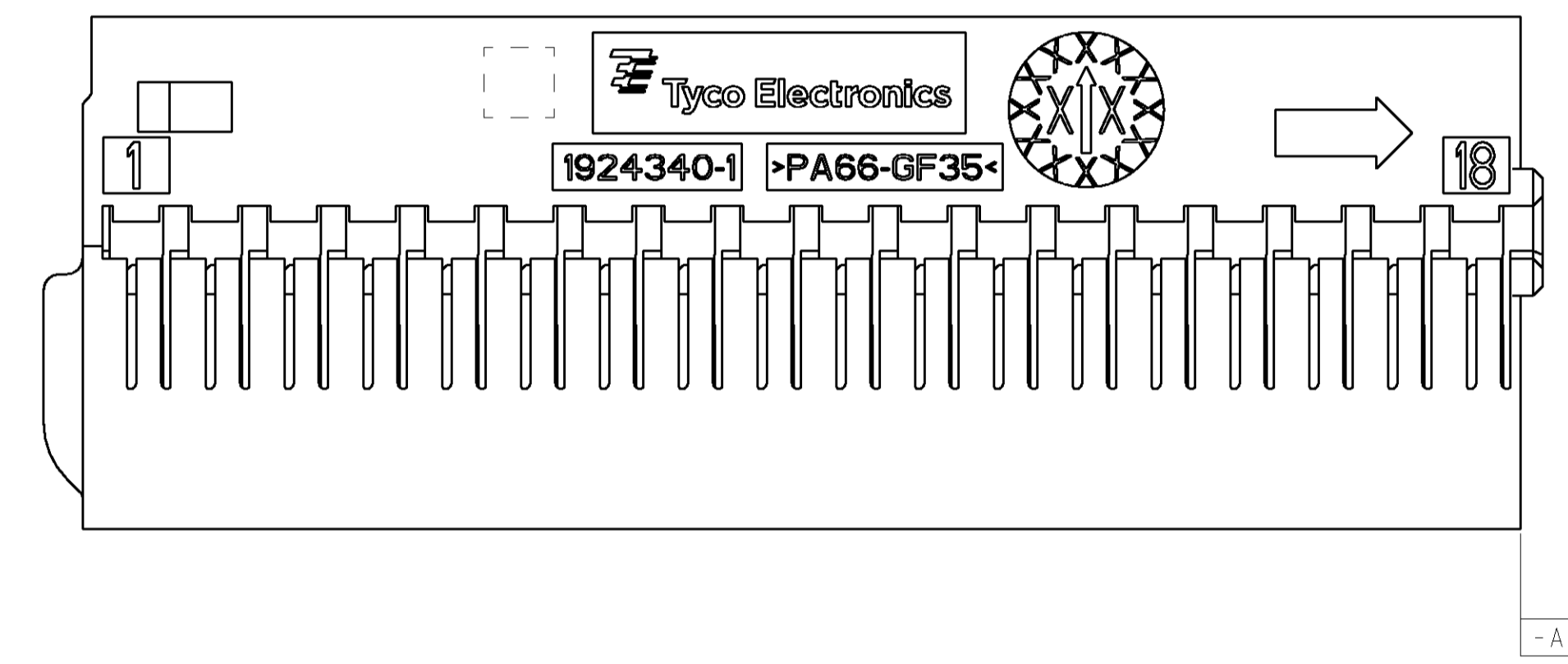
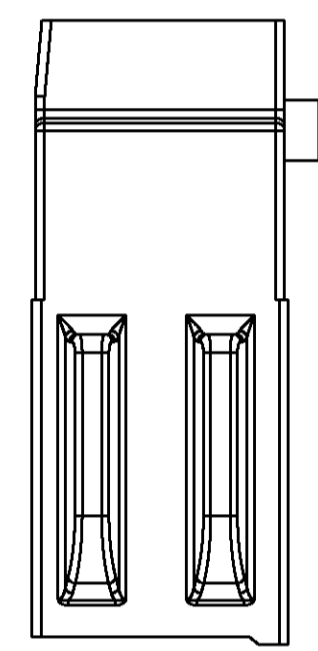
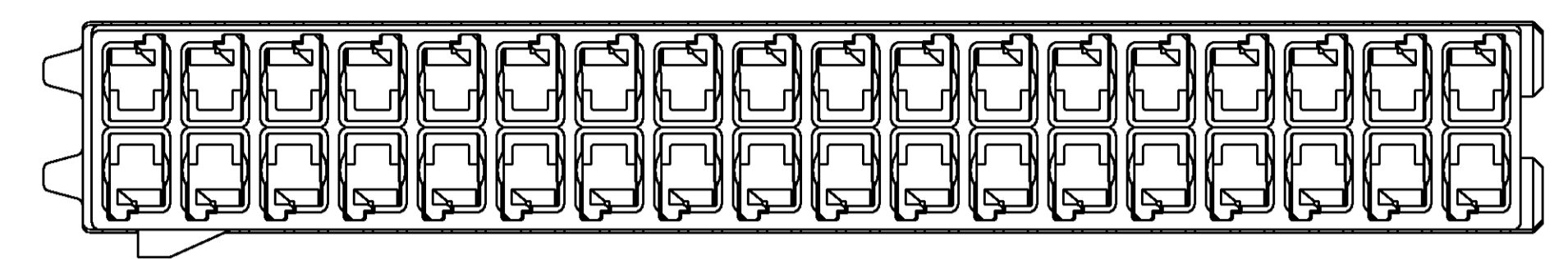


LOC		DIST		REVISIONS			
		P	LTR	DESCRIPTION	DATE	DWN	APVD
1	N	00		A	RLSD PER ECR 07-024469	03JAN2008	RGV RDH



ISOMETRIC VIEWS  
SCALE 2:1

- ▲ MATERIAL: NYLON 6/6, 35% GLASS FILLED, BLACK.
- RECEPTACLES SOLD SEPARATELY, SEE TYCO ELECTRONICS P/N 1456574 FOR TERMINATION AND REELING OPTIONS.
  - DOUBLE ROW CARRIER ASSEMBLES TO TYCO ELECTRONICS SINGLE ROW CARRIER P/N 1924341-1, AND IS USED IN TYCO ELECTRONICS SHIELD ASSEMBLY P/N 1924337.

DIMENSIONS:		TOLERANCES UNLESS OTHERWISE SPECIFIED:		DWN	R. FOLTZ	14FEB2007	BLACK	▲	1924340-1
mm	0 PLC	±		CHK	G. MARTIN	16FEB2007	COLOR REF	MATERIAL	PART NUMBER
	1 PLC	±0.1		APVD	G. MARTIN	16FEB2007			
	3 PLC	±0.05		PRODUCT SPEC			Tyco Electronics Harrisburg, PA 17105-3608		
	4 PLC	±		APPLICATION SPEC			NAME CARRIER, DOUBLE ROW, 36 POSITION, 0.64mm GenY CONNECTOR		
	ANGLES	±		WEIGHT			SIZE CAGE CODE DRAWING NO RESTRICTED TO		
MATERIAL	FINISH	-		CUSTOMER DRAWING			A   00779   C=1924340   -		
SEE TABLE				SCALE		5:1	SHEET 1 OF 1 REV A		