



AMP | MCON Interconnection System

TE Internal #: 1452503-1

Automotive Terminals, Receptacle, Mating Tab Width 1.2 mm [.047 in], Tab Thickness .6 mm [.024 in], 17 – 15 AWG Wire Size, MCON Interconnection System

[View on TE.com >](#)

Terminals & Splices > Automotive Terminals > MCON Receptacle and Tab



Terminal Type: **Receptacle**

Mating Tab Width: **1.2 mm [.047 in]**

Mating Tab Thickness: **.6 mm [.024 in]**

Terminal Transmits: **0 – 24 A (Low Power)**

Wire Size: **17 – 15 AWG**

[All MCON Receptacle and Tab \(100\)](#)

## Features

### Product Type Features

|                         |            |
|-------------------------|------------|
| Receptacle Style        | 180°       |
| Sealable                | No         |
| Primary Locking Feature | Clean Body |

### Contact Features

|  |                  |
|--|------------------|
| Contact Size                                   | 1.2mm            |
| Contact Fabrication                            | Stamped & Formed |
| Wire Contact Termination Area Plating Material | Tin              |
| Crimp Type                                     | F-Crimp          |
| Terminal Type                                  | Receptacle       |
| Mating Tab Width                               | 1.2 mm [.047 in] |
| Mating Tab Thickness                           | .6 mm [.024 in]  |
| Interface Plating                              | Tin (Sn)         |

### Termination Features

|                                    |       |
|------------------------------------|-------|
| Termination Method to Wire & Cable | Crimp |
| Product Terminates To              | Wire  |

### Dimensions



|                                      |                               |
|--------------------------------------|-------------------------------|
| Compatible Insulation Diameter Range | 1.9 – 2.4 mm [.075 – .094 in] |
| Wire Size                            | 1 – 1.5 mm <sup>2</sup>       |
| Wire Size Search                     | 15 AWG, 16 AWG, 17 AWG        |

### Usage Conditions

|                             |  |
|-----------------------------|--|
| Insulation Option           | Uninsulated  |
| Operating Temperature (Max) | 80 °C, 85 °C, 90 °C, 100 °C, 105 °C, 110 °C, 120 °C, 125 °C, 130 °C [176 °F][185 °F][194 °F][212 °F][221 °F][230 °F][248 °F][257 °F][266 °F] |
| Operating Temperature Range | -40 – 130 °C [-40 – 266 °F]  |

### Operation/Application

|                                    |        |
|------------------------------------|--------|
| Compatible With Wire Base Material | Copper |
|------------------------------------|--------|

### Industry Standards

|                 |       |
|-----------------|-------|
| Agency/Standard | LV214 |
|-----------------|-------|

### Packaging Features

|                    |      |
|--------------------|------|
| Packaging Quantity | 8000 |
| Packaging Method   | Reel |

### Other

|                    |                      |
|--------------------|----------------------|
| Terminal Transmits | 0 – 24 A (Low Power) |
|--------------------|----------------------|

## Product Compliance

[For compliance documentation, visit the product page on TE.com>](#)

|   |  |
|---|--|
| EU RoHS Directive 2011/65/EU                  | Compliant  |
| EU ELV Directive 2000/53/EC                   | Compliant  |
| China RoHS 2 Directive MIIT Order No 32, 2016 | No Restricted Materials Above Threshold  |
| EU REACH Regulation (EC) No. 1907/2006        | Current ECHA Candidate List: JUNE 2023 (235)<br>Candidate List Declared Against: JAN 2023 (233)<br>Does not contain REACH SVHC |
| Halogen Content                               | Low Halogen - Br, Cl, F, I < 900 ppm per homogenous material. Also BFR/CFR/PVC Free  |
| Solder Process Capability                     | Not applicable for solder process capability   |

Product Compliance Disclaimer

This information is provided based on reasonable inquiry of our suppliers and represents our current actual knowledge based on the information they provided. This information is subject to change. The part numbers that TE has identified as EU RoHS compliant have a maximum concentration of 0.1% by weight in homogenous materials for lead, hexavalent chromium, mercury, PBB, PBDE, DBP, BBP, DEHP, DIBP, and 0.01% for cadmium, or qualify for an exemption to these limits as defined in the Annexes of Directive 2011/65/EU (RoHS2). Finished electrical and electronic equipment products will be CE marked as required by Directive 2011/65/EU. Components may not be CE marked. Additionally, the part numbers that TE has identified as EU ELV compliant have a maximum concentration of 0.1% by weight in homogenous materials for lead, hexavalent chromium, and mercury, and 0.01% for cadmium, or qualify for an exemption to these limits as defined in the Annexes of Directive 2000/53/EC (ELV). Regarding the REACH Regulation, the information TE provides on SVHC in articles for this part number is based on the latest European Chemicals Agency (ECHA) 'Guidance on requirements for substances in articles' posted at this URL: <https://echa.europa.eu/guidance-documents/guidance-on-reach>

## Compatible Parts



TE Part # 1452426-1  
EXTRACTION TOOL



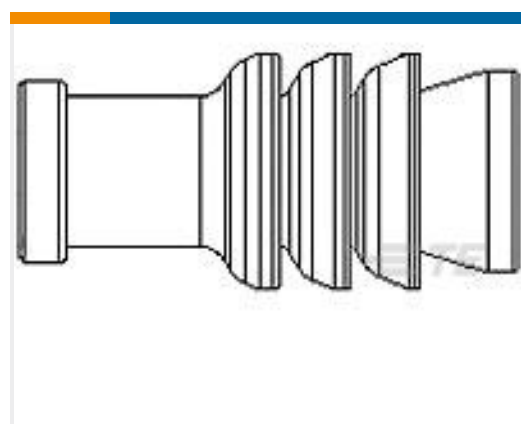
TE Part # 1579007-8  
EXTRACTION TOOL



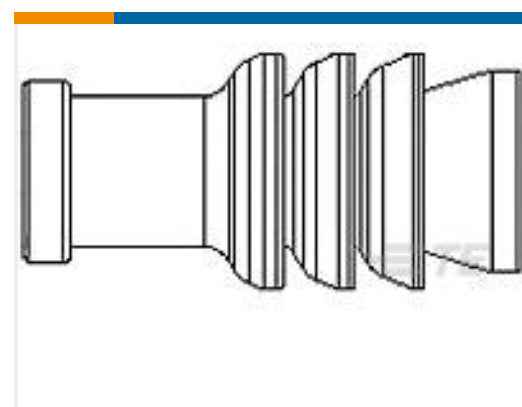
TE Part # 9-1452380-9  
96 POS. CONNECTOR ASSY



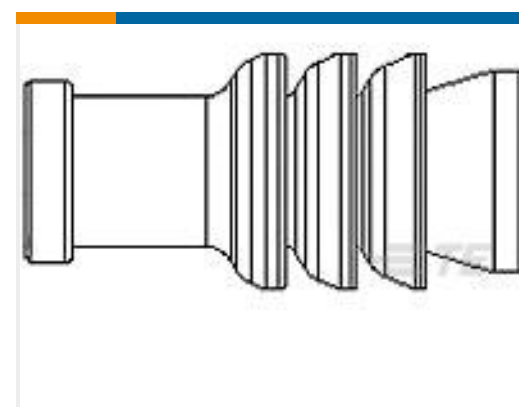
TE Part # 964972-1  
EINZELLEITERDICHTNG



TE Part # 967056-1  
MQS BLINDSTOPFEN4MM



TE Part # 967067-1  
MQS SGL WIRE SEAL



TE Part # 967067-2  
MQS EINZELLEITDICHT



TE Part # 2305570-1  
Strip Terminal Cutter-Side Feed-No Crimp



TE Part # 2137336-1  
36 POS PLUG ASSEMBLY



TE Part # 1-1579007-0  
EXTRACTION TOOL



TE Part # 9-1563173-9  
96POS,MCON-1.2 CB,REC HSG,ASSY



TE Part # 9-1452423-9  
96 POS. CONNECTOR ASSY



TE Part # 2203973-1  
26P SEALED PLUG, ASSY, KEY A



TE Part # 1-1579001-3  
DIE FOR 1,2MM CONTACT



TE Part # 1-2005475-2  
PCU SLD 105P PLUG ASSY(A-RH)



TE Part # 1-2208709-1  
91POS, MIXED,REC HSG,ASSY, SEALED






TE Part # 1-2208720-1  
105POS,MCON 1.2 CB,REC HSG, ASSY,SLD



TE Part # 1-2295393-1  
PLUG ASSY, 16WAY, HYBRID, UNSEALED, A




TE Part # 1-2316374-1  
48POS,MCON 1.2,REC HSG ASSY,SLD, COD NEUT

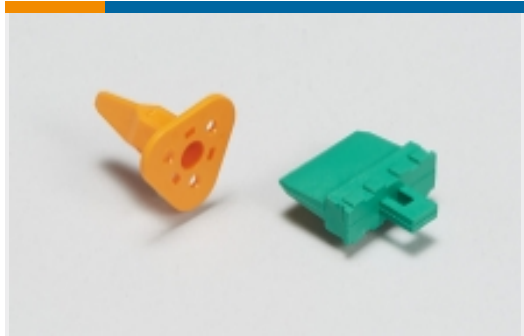


TE Part # 1-2316374-2  
48POS,MCON 1.2,REC HSG ASSY,SLD, COD NEUT


Also in the Series | MCON Interconnection System




Automotive Connector Caps & Covers (24)



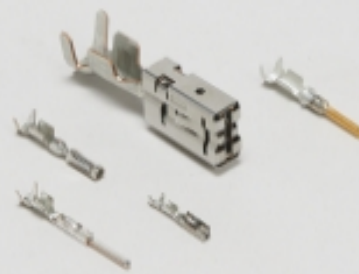
Automotive Connector Locks & Position Assurance(11)




Automotive Housings(315)




Automotive Seals & Cavity Plugs(5)



Automotive Terminals(118)



Insertion & Extraction Tools(31)



Other Automotive Connector Accessories(7)

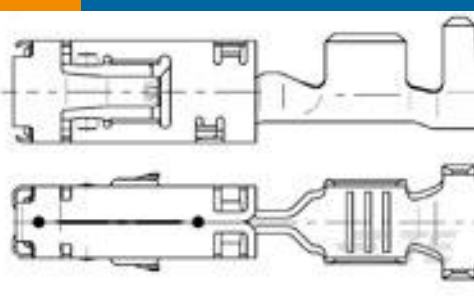


PCB Headers & Receptacles(1)

Customers Also Bought



TE Part #1456471-2  
8p Hybrid 0.64/2.8 Unsealed Plug Assy



TE Part #967543-2  
SENS FLA-KONT 2,8



TE Part #4-2112594-1  
MQS, CONNECTOR HOUSING




TE Part #1-1801178-1  
3W RECEPTACLE HP CONNECTOR BLACK




TE Part #1897462-2  
5ATM 12P PLUG ASSY



TE Part #2203770-2  
2POS, MCON 1.2 CB TAB 1p TL SEALED



TE Part #2177472-1  
73POS, MIXED,REC HSG,ASSY,BK



TE Part #2005479-6  
PCU 105P RETAINER HSG-MCON 1.2 MM



## Documents

### Product Drawings

[MCON 1.2 CB REC SRC SN](#)

German

### CAD Files

Customer View Model

[ENG\\_CVM\\_CVM\\_1452503-1\\_C.2d\\_dxf.zip](#)

English

[3D PDF](#)

3D

Customer View Model

[ENG\\_CVM\\_CVM\\_1452503-1\\_C.3d\\_igs.zip](#)

English

Customer View Model

[ENG\\_CVM\\_CVM\\_1452503-1\\_C.3d\\_stp.zip](#)

English

By downloading the CAD file I accept and agree to the [Terms and Conditions](#) of use.

### Datasheets & Catalog Pages

[MCON Interconnection System](#)

English

### Product Specifications

[Application Specification](#)

English

[Application Specification](#)

English

### Product Environmental Compliance

[MD\\_1452503-1\\_0525201857\\_dmtec](#)

English

[MD\\_1452503-1\\_0525201857\\_dmtec](#)

English