

E/UK - End bracket

1201442

<https://www.phoenixcontact.com/sk/products/1201442>

Please be informed that the data shown in this PDF document is generated from our online catalog. Please find the complete data in the user documentation. Our general terms of use for downloads are valid.

End bracket, Mounting on a DIN rail NS 32 or NS 35, material: PA, color: gray



Your advantages

- Large-surface marking
- With universal foot for NS 35 and NS 32 DIN rails
- Tall and low design

Commercial data

Item number	1201442
Packing unit	50 pc
Minimum order quantity	50 pc
Sales key	BE7
Product key	BE7111
Catalog page	Page 538 (C-3-2019)
GTIN	4017918017323
Weight per piece (including packing)	9.428 g
Weight per piece (excluding packing)	9.1 g
Customs tariff number	39269097
Country of origin	CN

E/UK - End bracket

1201442

<https://www.phoenixcontact.com/sk/products/1201442>

Technical data

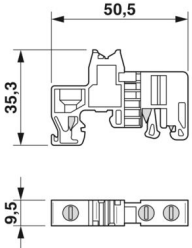
Product properties

Product type	End bracket
--------------	-------------

Connection data

Tightening torque	... 0.8 Nm
-------------------	------------

Dimensions

Dimensional drawing	
Width	9.5 mm
Height	50.5 mm
Depth	35.3 mm
Depth on NS 35/7,5	36.8 mm
Length	50.5 mm

Material specifications

Color	gray
Material	PA
Flammability rating according to UL 94	V0
Temperature index of insulation material (DIN EN 60216-1 (VDE 0304-21))	125 °C
Relative insulation material temperature index (Elec., UL 746 B)	125 °C

Environmental and real-life conditions

Ambient conditions

Ambient temperature (operation)	-60 °C ... 105 °C (max. short-term operating temperature RTI Elec.)
Ambient temperature (storage/transport)	-25 °C ... 60 °C (for a short time, not exceeding 24 h, -60 °C to +70 °C)
Ambient temperature (assembly)	-5 °C ... 70 °C
Ambient temperature (actuation)	-5 °C ... 70 °C
Permissible humidity (storage/transport)	30 % ... 70 %

Mounting

Mounting type	NS 35/7,5
	NS 35/15

E/UK - End bracket

1201442

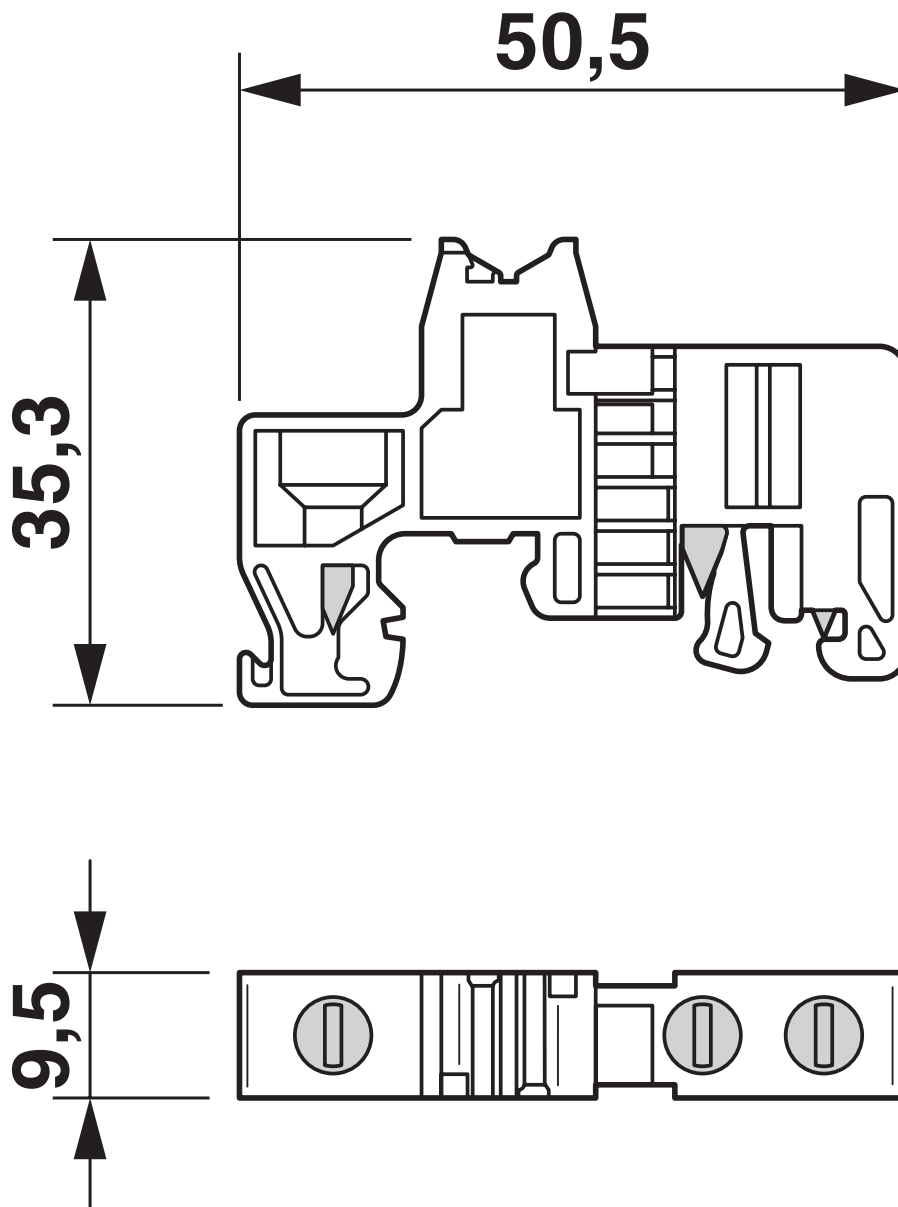
<https://www.phoenixcontact.com/sk/products/1201442>



NS 32

Drawings

Dimensional drawing



E/UK - End bracket



1201442

<https://www.phoenixcontact.com/sk/products/1201442>

Classifications

ECLASS

ECLASS-11.0	27141135
ECLASS-12.0	27141135
ECLASS-13.0	27250302

ETIM

ETIM 9.0	EC001041
----------	----------

UNSPSC

UNSPSC 21.0	39121400
-------------	----------

E/UK - End bracket



1201442

<https://www.phoenixcontact.com/sk/products/1201442>

Environmental product compliance

EU RoHS

Fulfills EU RoHS substance requirements	Yes, No exemptions
---	--------------------

China RoHS

Environment friendly use period (EFUP)	EFUP-E
	No hazardous substances above the limits

EU REACH SVHC

REACH candidate substance (CAS No.)	No substance above 0.1 wt%
-------------------------------------	----------------------------

E/UK - End bracket

1201442

<https://www.phoenixcontact.com/sk/products/1201442>



Accessories

UBE + ES/KMK 3 - Marker carriers

1004089

<https://www.phoenixcontact.com/sk/products/1004089>



Marker carriers, for the identification of terminal block groups, for E/UK end bracket or E/U end bracket, with 40 x 17 mm perforated insert strip, gray, unlabeled, perforated, mounting type: snapped, lettering field size: 40 x 17 mm

KLM-A - Terminal strip marker carrier

1004348

<https://www.phoenixcontact.com/sk/products/1004348>



Terminal strip markers, for strip marking, adjustable height, for use with end clamps E/UK, E/NS 35 N or CLIPFIX 35, lettering field size: 44 x 7 mm

E/UK - End bracket

1201442

<https://www.phoenixcontact.com/sk/products/1201442>



KLM - Terminal strip marker carrier

1004306

<https://www.phoenixcontact.com/sk/products/1004306>



Terminal strip marker carrier, for E/UK or CLIPFIX 35 end brackets, can be marked using insert labels in 25 x 6 mm format

NS 32 PERF 2000MM-VPE 10 - DIN rail perforated

1201002

<https://www.phoenixcontact.com/sk/products/1201002>



DIN rail perforated, Pack of 10 (20 m), acc. to EN 60715, material: Steel, galvanized, passivated with a thick layer, G profile, color: silver

E/UK - End bracket

1201442

<https://www.phoenixcontact.com/sk/products/1201442>



NS 32 UNPERF 2000MM-VPE 10 - DIN rail, unperforated

1201015

<https://www.phoenixcontact.com/sk/products/1201015>



DIN rail, unperforated, Pack of 10 (20 m), acc. to EN 60715, material: Steel, galvanized, passivated with a thick layer, G profile, color: silver

NS 35/ 7,5 PERF 2000MM - DIN rail perforated

0801733

<https://www.phoenixcontact.com/sk/products/0801733>



DIN rail perforated, Pack of 25 (50 m), acc. to EN 60715, material: Steel, galvanized, passivated with a thick layer, Standard profile, color: silver

E/UK - End bracket

1201442

<https://www.phoenixcontact.com/sk/products/1201442>



NS 35/ 7,5 UNPERF 2000MM - DIN rail, unperforated

0801681

<https://www.phoenixcontact.com/sk/products/0801681>



DIN rail, unperforated, Pack of 25 (50 m), acc. to EN 60715, material: Steel, galvanized, passivated with a thick layer, Standard profile, color: silver

NS 35/ 7,5 WH PERF 2000MM - DIN rail perforated

1204119

<https://www.phoenixcontact.com/sk/products/1204119>



DIN rail perforated, Pack of 25 (50 m), acc. to EN 60715, material: Steel, Galvanized, white passivated, Standard profile, color: silver

E/UK - End bracket

1201442

<https://www.phoenixcontact.com/sk/products/1201442>



NS 35/ 7,5 WH UNPERF 2000MM-VPE 10 - DIN rail, unperforated

1204122

<https://www.phoenixcontact.com/sk/products/1204122>



DIN rail, unperforated, Pack of 10 (20 m), acc. to EN 60715, material: Steel, Galvanized, white passivated, Standard profile, color: silver

NS 35/ 7,5 AL UNPERF 2000MM - DIN rail, unperforated

0801704

<https://www.phoenixcontact.com/sk/products/0801704>



DIN rail, unperforated, Pack of 25 (50 m), acc. to EN 60715, material: Aluminum, uncoated, Standard profile, color: silver

E/UK - End bracket

1201442

<https://www.phoenixcontact.com/sk/products/1201442>



NS 35/ 7,5 ZN PERF 2000MM - DIN rail perforated

1206421

<https://www.phoenixcontact.com/sk/products/1206421>



DIN rail perforated, Pack of 25 (50 m), acc. to EN 60715, material: Steel, galvanized, Standard profile, color: silver

NS 35/ 7,5 ZN UNPERF 2000MM - DIN rail, unperforated

1206434

<https://www.phoenixcontact.com/sk/products/1206434>



DIN rail, unperforated, Pack of 25 (50 m), acc. to EN 60715, material: Steel, galvanized, Standard profile, color: silver

E/UK - End bracket

1201442

<https://www.phoenixcontact.com/sk/products/1201442>



NS 35/ 7,5 CU UNPERF 2000MM-VPE 10 - DIN rail, unperforated

0801762

<https://www.phoenixcontact.com/sk/products/0801762>



DIN rail, unperforated, Pack of 10 (20 m), acc. to EN 60715, material: Copper, uncoated, Standard profile, color: copper-colored

NS 35/ 7,5 CAP - End cap

1206560

<https://www.phoenixcontact.com/sk/products/1206560>

DIN rail end piece, for DIN rail NS 35/7.5



E/UK - End bracket

1201442

<https://www.phoenixcontact.com/sk/products/1201442>



NS 35/15 PERF 2000MM - DIN rail perforated

1201730

<https://www.phoenixcontact.com/sk/products/1201730>



DIN rail perforated, Pack of 25 (50 m), similar to EN 60715, material: Steel, galvanized, passivated with a thick layer, Standard profile, color: silver

NS 35/15 UNPERF 2000MM - DIN rail, unperforated

1201714

<https://www.phoenixcontact.com/sk/products/1201714>



DIN rail, unperforated, Pack of 25 (50 m), similar to EN 60715, material: Steel, galvanized, passivated with a thick layer, Standard profile, color: silver

E/UK - End bracket

1201442

<https://www.phoenixcontact.com/sk/products/1201442>



NS 35/15 WH PERF 2000MM - DIN rail perforated

0806602

<https://www.phoenixcontact.com/sk/products/0806602>



DIN rail perforated, Pack of 25 (50 m), similar to EN 60715, material: Steel, Galvanized, white passivated, Standard profile, color: white

NS 35/15 WH UNPERF 2000MM-VPE 10 - DIN rail, unperforated

1204135

<https://www.phoenixcontact.com/sk/products/1204135>



DIN rail, unperforated, Pack of 10 (20 m), similar to EN 60715, material: Steel, Galvanized, white passivated, Standard profile, color: silver

E/UK - End bracket

1201442

<https://www.phoenixcontact.com/sk/products/1201442>



NS 35/15 AL UNPERF 2000MM - DIN rail, unperforated

1201756

<https://www.phoenixcontact.com/sk/products/1201756>



DIN rail, unperforated, similar to EN 60715, material: Aluminum, uncoated, Standard profile, color: silver

NS 35/15 ZN PERF 2000MM - DIN rail perforated

1206599

<https://www.phoenixcontact.com/sk/products/1206599>



DIN rail perforated, Pack of 25 (50 m), similar to EN 60715, material: Steel, galvanized, Standard profile, color: silver

E/UK - End bracket

1201442

<https://www.phoenixcontact.com/sk/products/1201442>



NS 35/15 ZN UNPERF 2000MM - DIN rail, unperforated

1206586

<https://www.phoenixcontact.com/sk/products/1206586>



DIN rail, unperforated, Pack of 25 (50 m), similar to EN 60715, material: Steel, galvanized, Standard profile, color: silver

NS 35/15 CU UNPERF 2000MM-VPE 10 - DIN rail, unperforated

1201895

<https://www.phoenixcontact.com/sk/products/1201895>



DIN rail, unperforated, Pack of 10 (20 m), similar to EN 60715, material: Copper, uncoated, Standard profile, color: copper-colored

E/UK - End bracket

1201442

<https://www.phoenixcontact.com/sk/products/1201442>



NS 35/15 CAP - End cap

1206573

<https://www.phoenixcontact.com/sk/products/1206573>

DIN rail end piece, for DIN rail NS 35/15



NS 35/15-2,3 UNPERF 2000MM-VPE 10 - DIN rail, unperforated

1201798

<https://www.phoenixcontact.com/sk/products/1201798>



DIN rail, unperforated, Pack of 10 (20 m), acc. to EN 60715, material: Steel, galvanized, passivated with a thick layer, Standard profile 2.3 mm, color: silver

E/UK - End bracket

1201442

<https://www.phoenixcontact.com/sk/products/1201442>



ZB 6:UNBEDRUCKT - Zack marker strip

1051003

<https://www.phoenixcontact.com/sk/products/1051003>



Zack marker strip, Strip, white, unlabeled, can be labeled with: PLOTMARK, CMS-P1-PLOTTER, mounting type: snapped, for terminal block width: 6.2 mm, lettering field size: 6.15 x 10.5 mm, Number of individual labels: 10

ZB 6 CUS - Zack marker strip

0824992

<https://www.phoenixcontact.com/sk/products/0824992>



Zack marker strip, can be ordered: Strip, white, labeled according to customer specifications, mounting type: snap into tall marker groove, for terminal block width: 6.2 mm, lettering field size: 6.15 x 10.5 mm, Number of individual labels: 10

E/UK - End bracket

1201442

<https://www.phoenixcontact.com/sk/products/1201442>



ZB 6,LGS:FORTL.ZAHLEN - Zack marker strip

1051016

<https://www.phoenixcontact.com/sk/products/1051016>



Zack marker strip, Strip, white, labeled, can be labeled with: CMS-P1-PLOTTER, printed horizontally: consecutive numbers 1 ... 10, 11 ... 20, etc. up to 491 ... 500, mounting type: snapped, for terminal block width: 6.2 mm, lettering field size: 6. 15 x 10.5 mm, Number of individual labels: 10

ZB 6,QR:FORTL.ZAHLEN - Zack marker strip

1051029

<https://www.phoenixcontact.com/sk/products/1051029>



Zack marker strip, Strip, white, labeled, can be labeled with: CMS-P1-PLOTTER, Printed vertically: consecutive numbers 1 ... 10, 11 ... 20, etc. up to 491 ... 500, mounting type: snapped, for terminal block width: 6.2 mm, lettering field size: 6. 15 x 10.5 mm, Number of individual labels: 10

E/UK - End bracket

1201442

<https://www.phoenixcontact.com/sk/products/1201442>



ZB 6,LGS:GLEICHE ZAHLEN - Zack marker strip

1051032

<https://www.phoenixcontact.com/sk/products/1051032>



Zack marker strip, Strip, white, labeled, can be labeled with: CMS-P1-PLOTTER, printed horizontally: Identical numbers 1 or 2, etc. up to 100, mounting type: snapped, for terminal block width: 6.2 mm, lettering field size: 6.15 x 10.5 mm, Number of individual labels: 10

ZB 6,LGS:L1-N,PE - Marker for terminal blocks

1051414

<https://www.phoenixcontact.com/sk/products/1051414>



Marker for terminal blocks, Strip, white, labeled, can be labeled with: CMS-P1-PLOTTER, horizontal: L1, L2, L3, N, PE, L1, L2, L3, N, PE, mounting type: snapped, for terminal block width: 6.2 mm, lettering field size: 6.15 x 10.5 mm, Number of individual labels: 10

E/UK - End bracket

1201442

<https://www.phoenixcontact.com/sk/products/1201442>



ZB 6,LGS:U-N - Marker for terminal blocks

1051430

<https://www.phoenixcontact.com/sk/products/1051430>



Marker for terminal blocks, Strip, white, labeled, can be labeled with: CMS-P1-PLOTTER, printed horizontally: U, V, W, N, GND, U, V, W, N, GND, mounting type: snapped, for terminal block width: 6.2 mm, lettering field size: 6.15 x 10.5 mm, Number of individual labels: 10

UC-TM 6 - Marker for terminal blocks

0818085

<https://www.phoenixcontact.com/sk/products/0818085>



Marker for terminal blocks, Sheet, white, unlabeled, can be labeled with: BLUEMARK ID COLOR, BLUEMARK ID, BLUEMARK CLED, PLOTMARK, CMS-P1-PLOTTER, mounting type: snapped, for terminal block width: 6.2 mm, lettering field size: 5.6 x 10.5 mm, Number of individual labels: 80

E/UK - End bracket

1201442

<https://www.phoenixcontact.com/sk/products/1201442>



UC-TM 6 CUS - Marker for terminal blocks

0824589

<https://www.phoenixcontact.com/sk/products/0824589>



Marker for terminal blocks, can be ordered: by sheet, white, labeled according to customer specifications, mounting type: snap into tall marker groove, for terminal block width: 6.2 mm, lettering field size: 5.6 x 10.5 mm, Number of individual labels: 80

UCT-TM 6 - Marker for terminal blocks

0828736

<https://www.phoenixcontact.com/sk/products/0828736>



Marker for terminal blocks, Sheet, white, unlabeled, can be labeled with: TOPMARK NEO, TOPMARK LASER, BLUEMARK ID COLOR, BLUEMARK ID, BLUEMARK CLED, THERMOMARK PRIME, THERMOMARK CARD 2.0, THERMOMARK CARD, mounting type: snapped, for terminal block width: 6.2 mm, lettering field size: 5.6 x 10.5 mm, Number of individual labels: 60

E/UK - End bracket

1201442

<https://www.phoenixcontact.com/sk/products/1201442>



UCT-TM 6 CUS - Marker for terminal blocks

0829602

<https://www.phoenixcontact.com/sk/products/0829602>



Marker for terminal blocks, can be ordered: by sheet, white, labeled according to customer specifications, mounting type: snap into tall marker groove, for terminal block width: 6.2 mm, lettering field size: 5.6 x 10.5 mm, Number of individual labels: 60

Phoenix Contact 2024 © - all rights reserved

<https://www.phoenixcontact.com>

PHOENIX CONTACT s.r.o.

Námestie Mateja Korvína 1

811 07 Bratislava

+421 2 3210 1470

obchod.sk@phoenixcontact.com