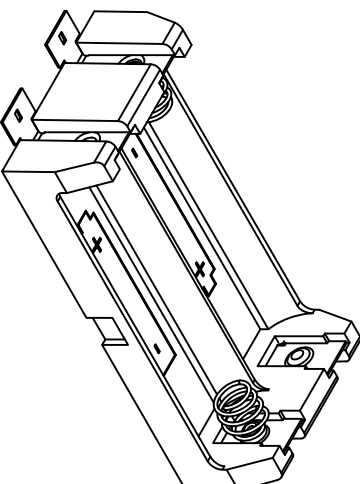
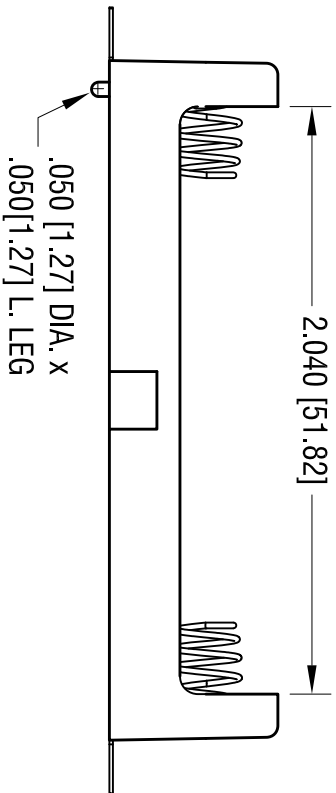
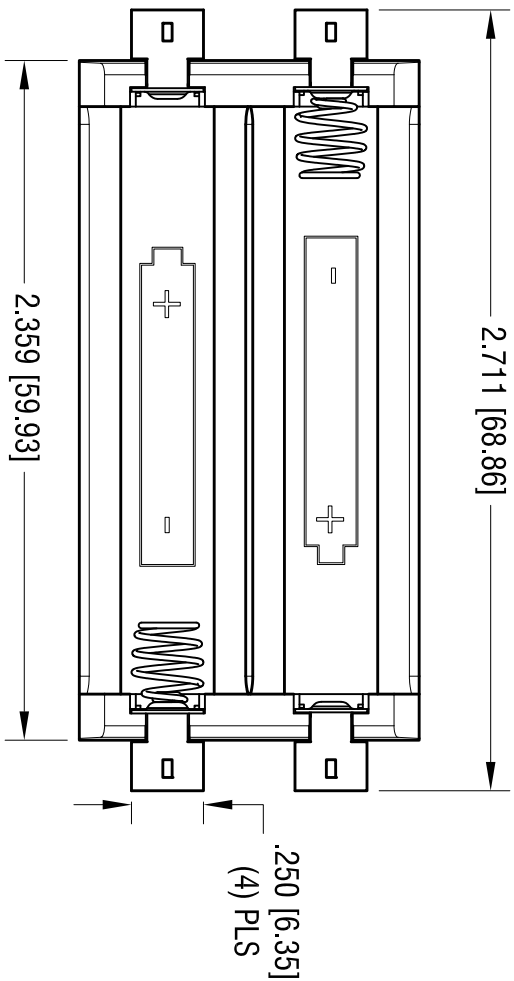
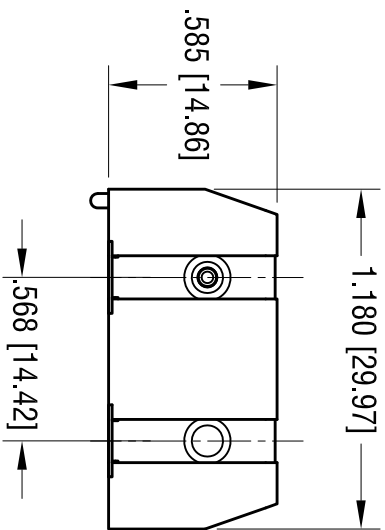
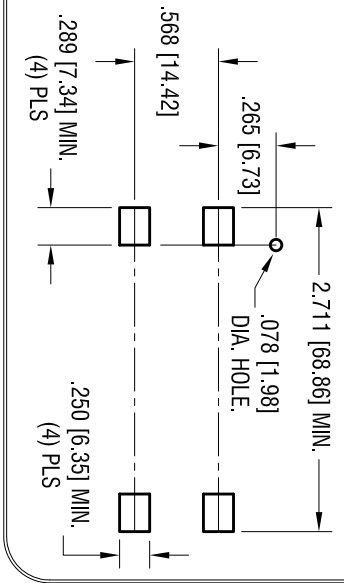


MOUNTING PAD LAYOUT



- NOTE:
1. BASE:  
MATERIAL: HEAT RESISTANCE NYLON  
STANLYL 46 OR EQUIVALENT
  2. CONTACTS:  
MATERIAL: BASE-.012 [0.30] THK STAINLESS STEEL  
SPRING-.020 [0.50] DIA. MUSIC WIRE  
FINISH: GOLD FLASH, OVER NICKEL PLATE

DATE	DESCRIPTION	REV.

<b>KEYSTONE ELECTRONICS CORP.</b>			
www.keystec.com • ASTORIA, N.Y. 11105-2017 • Tel (718) 956-8900			
PART NAME: SMT BATTERY HOLDER, (2) AA			
MATERIAL: AS NOTED			
FINISH	AS NOTED		
TOLERANCES	INCH	[MM]	CODE
DECIMAL	± .010	[± 0.25]	C
ANGULAR	± 1°		
UNLESS OTHERWISE SPECIFIED			
DRN BY	NT	DATE	6.12.14
APP'D	LN	SCALE	1.5X
DWG NO.		<b>1090</b>	

THIS DOCUMENT IS THE PROPERTY OF KEYSTONE ELECTRONICS CORP. AND SHALL NOT BE REPRODUCED, DISTRIBUTED OR USED AS A BASIS FOR MANUFACTURE WITHOUT PRIOR WRITTEN PERMISSION FROM KEYSTONE ELECTRONICS CORP.