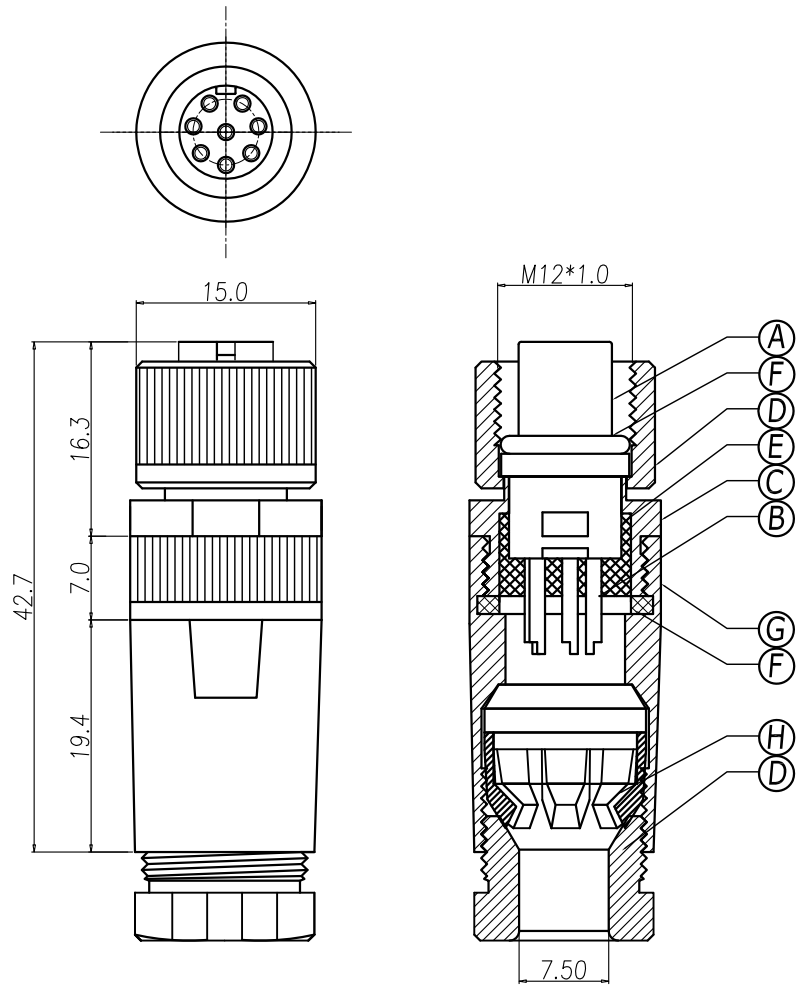


1	2	3	4	5	6	7	8	9	10
SWITCH CIRCUIT			MATERIAL AND FINISH AS BELOW						
WHEN CARD IS EJECTED		WHEN CARD IS INSERTED		A	Housing	PBT UL94V-0, Color: Black	E	Epoxy Base	Epoxy Black
				B	Contact	Brass C3604, Contact Area:10u" Gold Plating Over Nickel	F	O-Ring	EPDM Black
				C	Shell	Aluminum alloy , Nickel Plating	G	Main Body	Aluminum alloy , Nickel Plating
				D	Nut	Aluminum alloy , Nickel Plating	H	Gland Cage	POM White



SPECIFICATION:

1. ELECTRICAL

1.1 Current Rating: 2A per pin

1.2 Voltage Rating: 30V

1.3 Water Proof: IPX7

2. ENVIRONMENTAL

△ 2.1 Operating temperature range: -40°C ~ +85°C

P1	P2	P3	P4	P5	P6	P7	P8	P9	P10	P11	P12
----	----	----	----	----	----	----	----	----	-----	-----	-----

PIN ASSIGNMENT

216A-08FF0	M12 A Code Plug for Cable, 8Pin Female For Field Installable, Contact: 10u" Gold Plating
------------	--

PRODUCT NO.	DESCRIPTION	
	UNLESS OTHERWISE SPECIFIED TOLERANCE	
ANGLES	ANG.	±5°
LINEAR	0.	±0.3
	0.0	±0.25
	0.00	±0.20
SCALE	AS SHOWN	UNIT: mm
DRAWN	Willis	2013/12/24
CHECKED	Angel	2013/12/24
APPROVED	Ken	2013/12/24
SIZE	A4	REV. 1.0
FILE NAME	216A-08FF0_B_3	



www.attend.com.tw

DRAWN NAME: M12 A- Code Plug for Cable 8Pin Female For Field Installable

PRODUCT NO. 216A-08FF0

REV.	DESCRIPTION	DATE	REV.	DESCRIPTION	DATE
A	△ ECR220421001	2022/04/22			
	△ ECR1700027	2017/10/26			
	△ INITIAL RELEASE	2013/12/24			