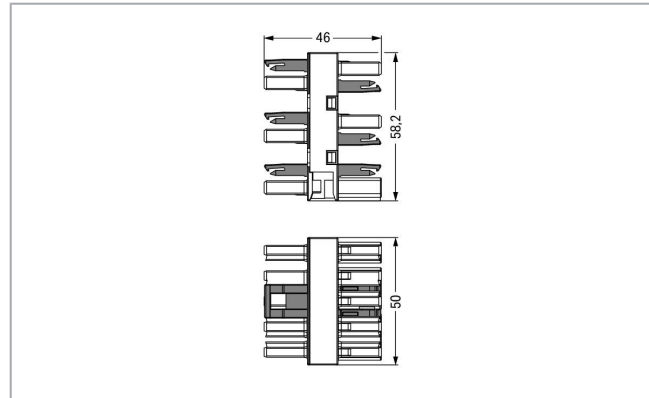


## Data sheet | Item number: 770-1947

5-way distribution connector; 5-pole; Cod. I; 1 input; 5 outputs; blue

[www.wago.com/770-1947](http://www.wago.com/770-1947)



### Item description

- Protected against mismatching and maintenance-free
- Additional variable coding is possible.

### Data

#### Electrical data

Note on contact resistance

approx. 1 mΩ of contact resistance approx. 0.25 mΩ contact transition plug/socket

#### Ratings per IEC/EN

Ratings per	IEC/EN 60664-1
Nominal voltage (III/3)	400 V
Rated surge voltage (III/3)	6 kV
Rated current	25 A
Legend (ratings)	(III / 3) ≙ Overvoltage category III / Pollution degree 3

Subject to changes. Please also observe the further product documentation!

WAGO Kontakttechnik GmbH & Co. KG  
Hansastr. 27  
32423 Minden  
Phone: +49571 887-0 | Fax: +49571 887-169  
Email: [info.de@wago.com](mailto:info.de@wago.com) | Web: [www.wago.com](http://www.wago.com)

Do you have any questions about our products?  
We are always happy to take your call at +49 (571) 887-44222.



## Ratings per UL

Hinweis für den amerikanischen Markt

Application note for the U.S. market (USR): Some versions may also be used for current interruption in accordance with the UL certificate in select applications with currents below 16 A and voltages up to 600 V. For further information, please contact your local sales office.

Rated voltage UL 1977	600 V
Rated current UL 1977	23 A

## Connection data

Pole No.	5
Total number of potentials	5
Ground function	with preceding ground contact

## Physical data

Pin spacing	10 mm / 0.394 inch
Width	50 mm / 1.969 inch
Height	58.2 mm / 2.291 inch
Depth	46 mm / 1.811 inch

## Mechanical data

Application	DALI, Lighting Management
Coding	I
Marking	N L DA- DA+
Potential marking	N L DA- DA+
Mating force of a plug-in connection	approx. 20 ... 70 N (depending on pole number)
Retention force of a plug-in connection	When locked: > 80 N
Unmating force of a plug-in connection	Unlocked: approx. 20 ... 70 N (depending on pole number)
Number of mating cycles	200, without resistive load
Distributor type	Distribution connector (5-way)
Protection type	IP20
Note on protection type	When mated: IP2xC (These compact connectors are not designed for use in open, easily accessible areas!)

## Plug-in connection

Contact type (pluggable connector)	Socket/plug
------------------------------------	-------------

Subject to changes. Please also observe the further product documentation!

Mismating protection	Yes
Note on mismating protection	All WINSTA <sup>®</sup> components are 100% protected against mismating when: a.) plugging different numbers of poles b.) plugging while rotated 180 c.) plugging while laterally staggered d.) plugging one pole
Locking lever	yes
Locking of plug-in connection	locking lever
Hinweis zur Verriegelung	All connectors for mounted installations (snap-in versions for lighting fixtures or devices, all types of PCB and distribution connectors) are factory-equipped with locking levers to ensure plugs and sockets are securely locked. Additional locking levers are only required for flying leads (plug/socket).

## Material data

Color	blue
Insulation material	Polyamide (PA66)
Contact material	Copper or copper alloy (surface-treated)
Weight	64 g

## Environmental requirements

Processing temperature	-5 ... +40 °C
Continuous operating temperature	-35 ... +85 °C
Note on continuous operating temperature	Insulating parts for temperatures ≤ 105 °C

## Commercial data

Packaging type	BOX
Country of origin	DE
GTIN	4055143706940
Customs tariff number	85366990990

## Counterpart



**Item no.770-1105**  
Socket; 5-pole; Cod. I; 4,00 mm<sup>2</sup>; blue

[www.wago.com/770-1105](http://www.wago.com/770-1105)



**Item no.770-1105/022-000**  
Socket; with strain relief housing; 5-pole; Cod. I; 4,00 mm<sup>2</sup>; blue

[www.wago.com/770-1105/022-000](http://www.wago.com/770-1105/022-000)



**Item no.770-1115/022-000**  
Plug; with strain relief housing; 5-pole; Cod. I; 4,00 mm<sup>2</sup>; blue

[www.wago.com/770-1115/022-000](http://www.wago.com/770-1115/022-000)

Subject to changes. Please also observe the further product documentation!



Item no.770-1115  
Plug; 5-pole; Cod. I; 4,00 mm²; blue

[www.wago.com/770-1115](http://www.wago.com/770-1115)



Item no.771-9985/106-101  
pre-assembled connecting cable; Eca; Socket/open-ended; 5-pole; Cod. I; H05VV-F 5G 1.5 mm²; 1 m; 1,50 mm²; blue

[www.wago.com/771-9985/106-101](http://www.wago.com/771-9985/106-101)



Item no.771-9985/006-101  
pre-assembled interconnecting cable; Eca; Socket/plug; 5-pole; Cod. I; H05VV-F 5G 1.5 mm²; 1 m; 1,50 mm²; blue

[www.wago.com/771-9985/006-101](http://www.wago.com/771-9985/006-101)



Item no.771-9985/206-101  
pre-assembled connecting cable; Eca; Plug/open-ended; 5-pole; Cod. I; H05VV-F 5G 1.5 mm²; 1 m; 1,50 mm²; blue

[www.wago.com/771-9985/206-101](http://www.wago.com/771-9985/206-101)

## Required accessories

### protection



Item no.: 770-201  
Lockout cap; 12-pole, separable; 12-pole; for sockets; black

[www.wago.com/770-201](http://www.wago.com/770-201)



Item no.: 770-221  
Lockout cap; for socket; 12-pole; separable; white

[www.wago.com/770-221](http://www.wago.com/770-221)



Item no.: 770-360  
Lockout cap; for plugs; 5-pole; separable; yellow

[www.wago.com/770-360](http://www.wago.com/770-360)

### assembling



Item no.: 770-625  
Mounting plate; 5-pole; for distribution connectors; Plastic; black

[www.wago.com/770-625](http://www.wago.com/770-625)



Item no.: 770-675  
Mounting plate; 5-pole; for distribution connectors; Plastic; white

[www.wago.com/770-675](http://www.wago.com/770-675)

## Downloads

### Documentation

#### Bid Text

770-1947 X81 - Datei	19. 2. 2019	xml 2.8 kB	Download
770-1947 doc - Datei	21. 3. 2018	doc 23.0 kB	Download

## Environmental Product Compliance

### Compliance Search

Environmental Product Compliance 770-1947

Subject to changes. Please also observe the further product documentation!

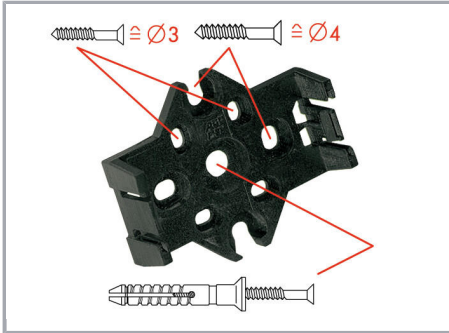
WAGO Kontakttechnik GmbH & Co. KG  
Hansastr. 27  
32423 Minden  
Phone: +49571 887-0 | Fax: +49571 887-169  
Email: [info.de@wago.com](mailto:info.de@wago.com) | Web: [www.wago.com](http://www.wago.com)

Do you have any questions about our products?  
We are always happy to take your call at +49 (571) 887-44222.

5-way distribution connector; 5-pole; Cod. I; 1 input; 5 outputs; blue

## Installation Notes

### Installation



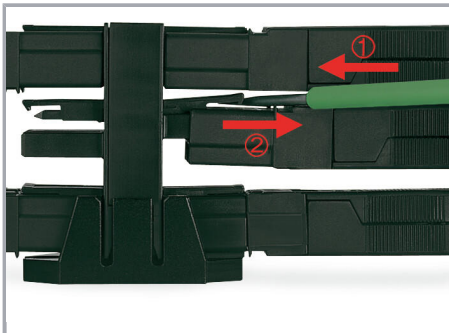
Mounting plates can be secured using commercially available screws or nail-drive anchors.



The distribution connectors snap together when attached to the mounting plate.



To release the distribution connector, unlock the latch using a screwdriver.



All distribution connector connections are locked and protected against accidental disconnection directly after mating. Locking of any connection is released using a screwdriver, even if all connections are used.

## Product family

*WINSTA*® MIDI

[Show all products from the family](#)

Subject to changes. Please also observe the further product documentation!