



2JM015a 2JM015Ga (DATASHEET)

Type	GNSS module
Frequencies	GPS (1575.42 MHz) GLONASS (1592 - 1610 MHz)
Mounting	Embedded Patch Mount
Revision	00



P. Tipul

D. Noble

1. PRODUCT SELECTOR

2JM015a GPS L1
 2JM015Ga GPS L1 + Glonass

2. SPECIFICATION

2.1. Electrical Specifications

	2JM015a	2JM015GA
Frequencies	GPS (1575.42 MHz)	GPS (1575.42 MHz) GLONASS (1592 - 1610 MHz)
Impedance	50 Ohms	
Noise figure	1.5 dB	
Polarization	RHCP	
LNA Gain	14.8 dB	
Voltage supply	1.5 V - 3.6 V	
Current	4 mA	
Power (max.)	14.4 mW	
Operating temperature	-40°C to +85°C	

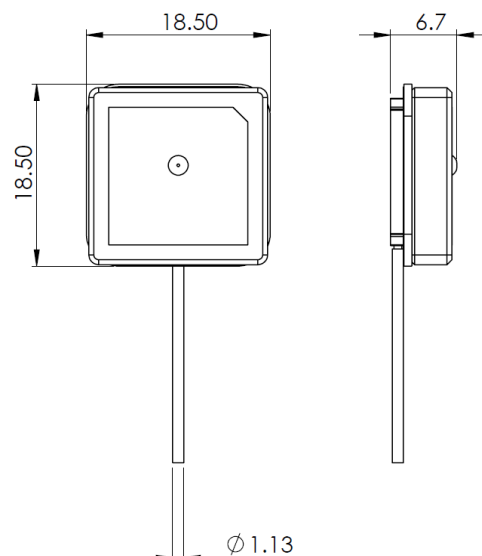
2.2. Connection Specifications

Connector type: U.FL
 Cable: Microcoax 1,13mm
 Cable length: 10 cm

For different cable length and connector type ask our sales team.

2.3. Mechanical Specifications and Dimensions

Max. dimensions: 18.5mm x 18.5mm x 6,7mm



3. MEASUREMENT

3.1. GNSS

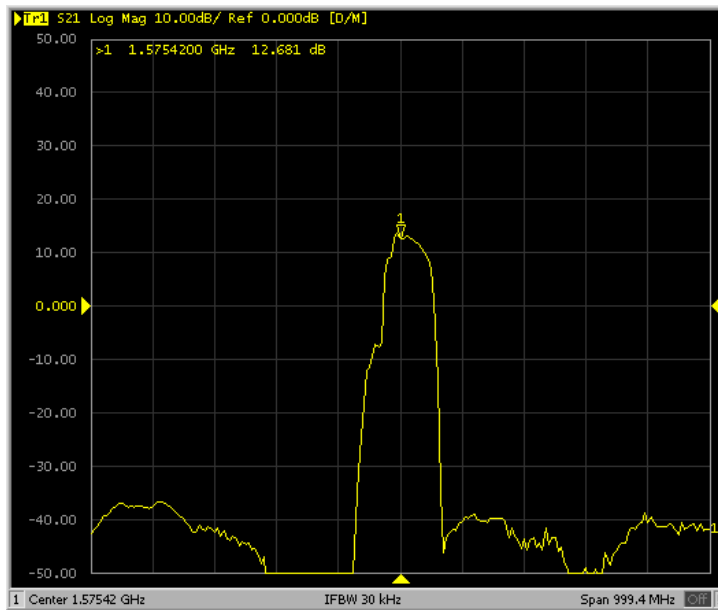


Figure 1 - 2JM015a gain at 3V

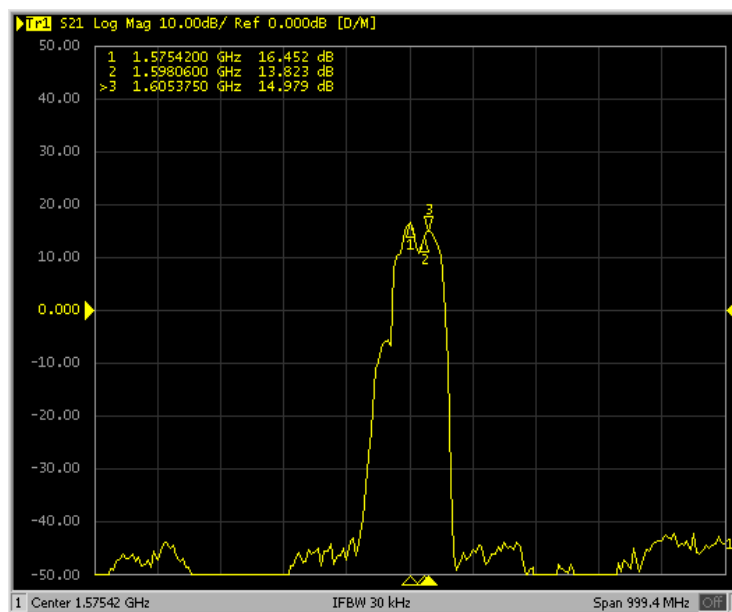


Figure 2 - 2JM015Ga gain at 3V