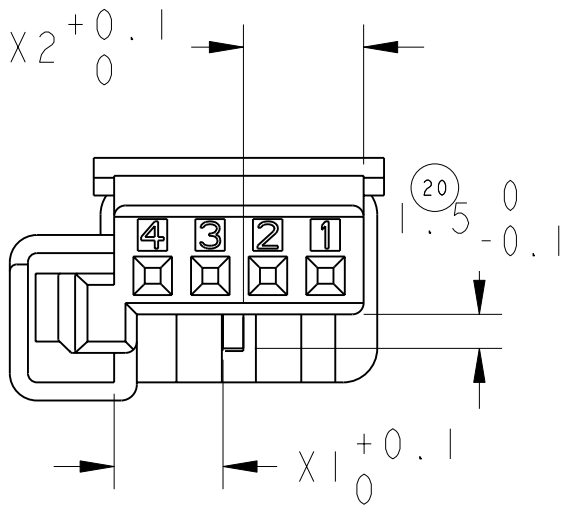


THIS DRAWING IS UNPUBLISHED.  
 DIFFUSION RESTREINTE  
 © COPYRIGHT 20 BY TYCO ELECTRONICS CORPORATION. ALL RIGHTS RESERVED.  
 LIBRE A LA DIFFUSION  
 TOUS DROITS RESERVES

LOC	DIST	REVISIONS					
		P	LTR	DESCRIPTION MODIFICATIONS	DATE	DWN DESS.	APVD APP.
F	7	A		ADD RADIUS ON THE LOCKING LANCE RIB.	22JUN2001	SA	JJR
		B		TE UPDATE - MARKING POSITION UPDATED	25JAN2011	EC	XR

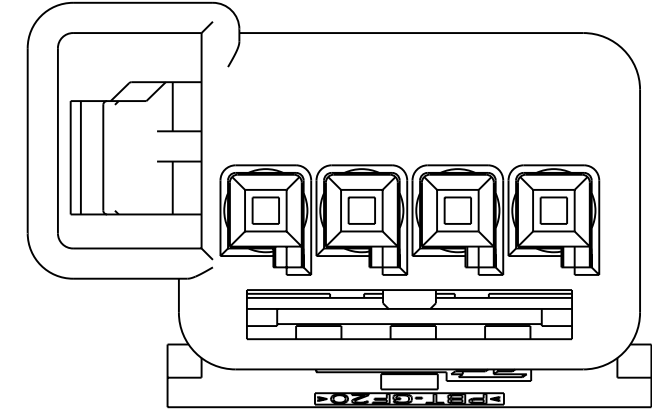
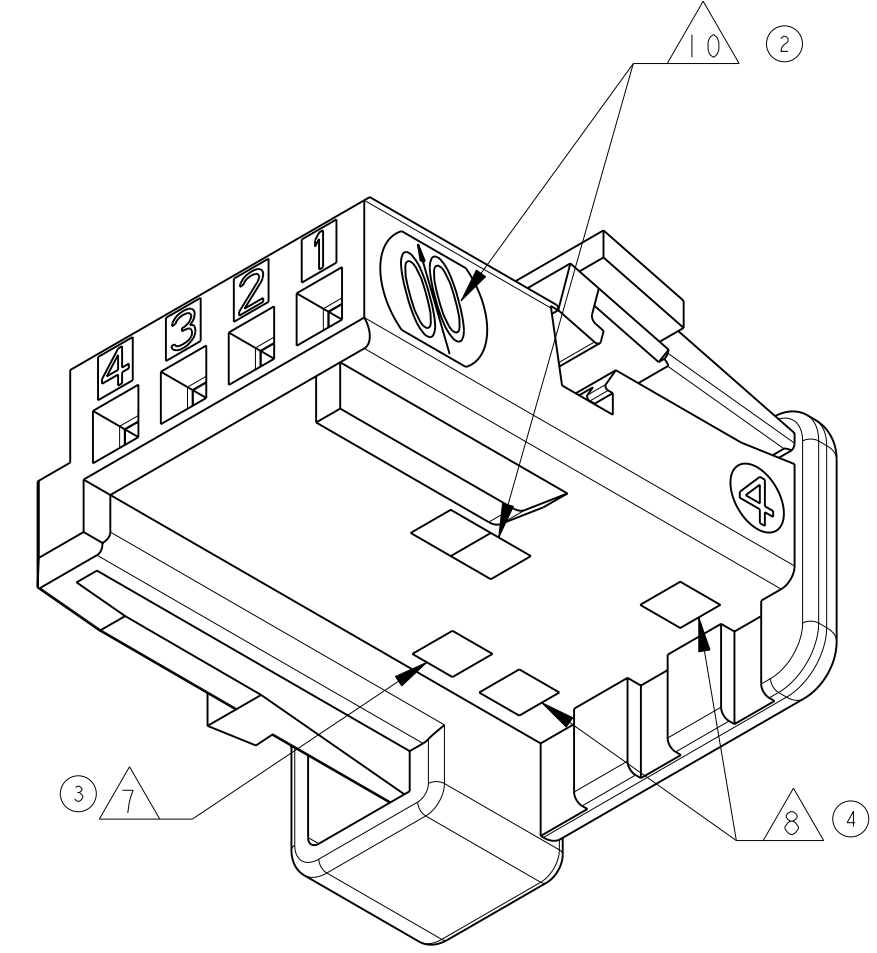
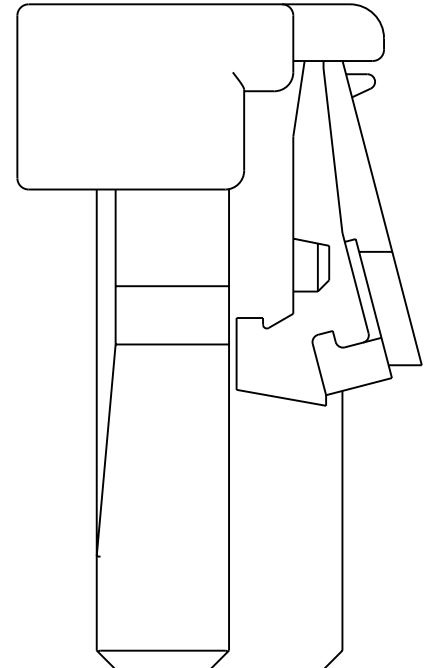
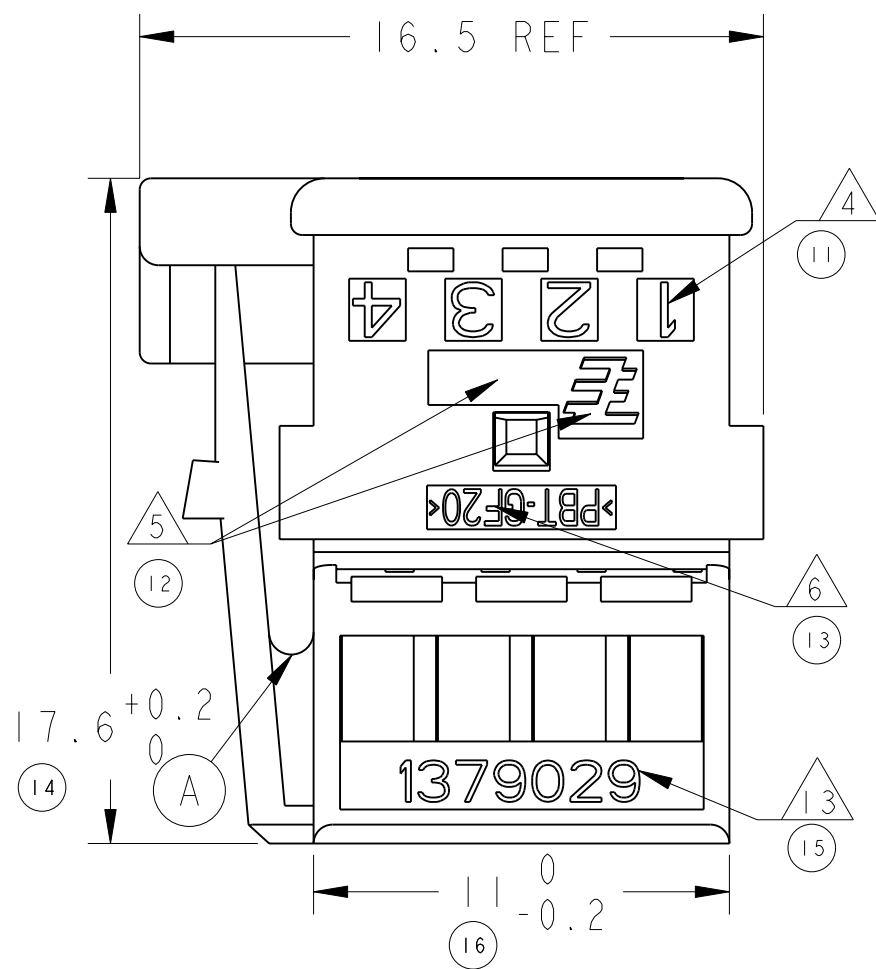
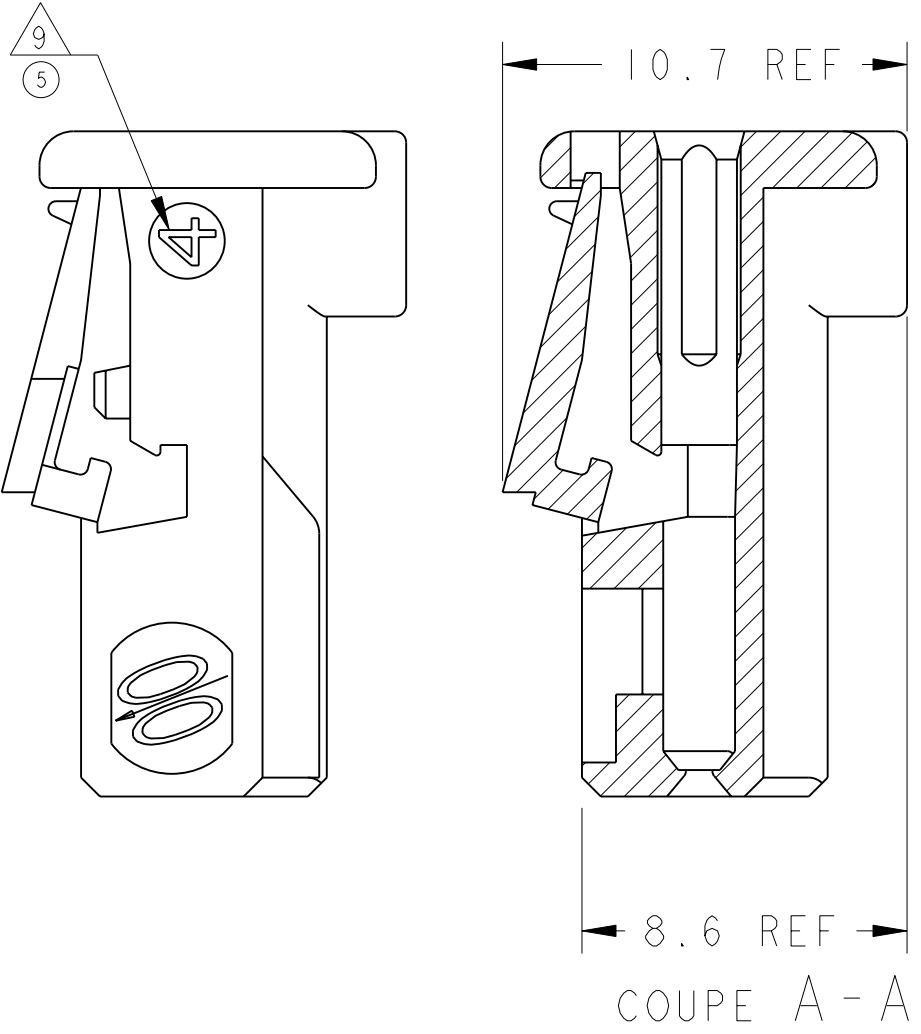
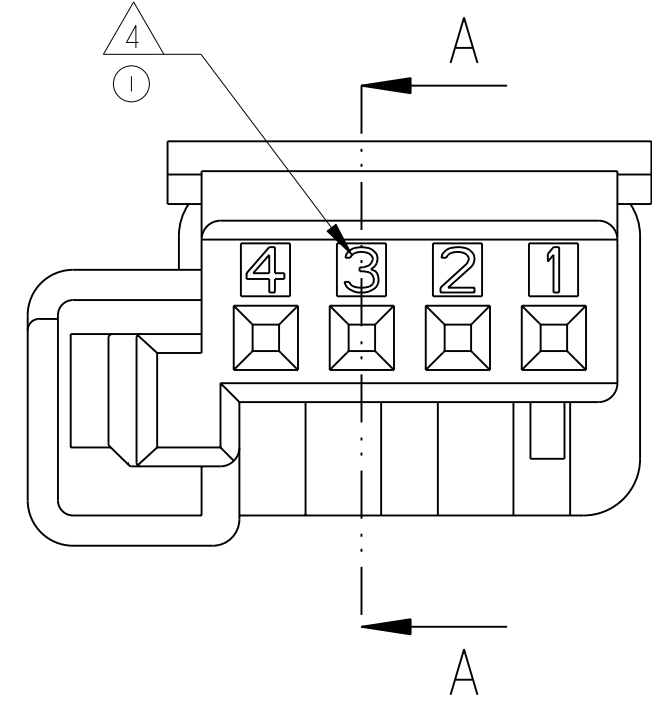
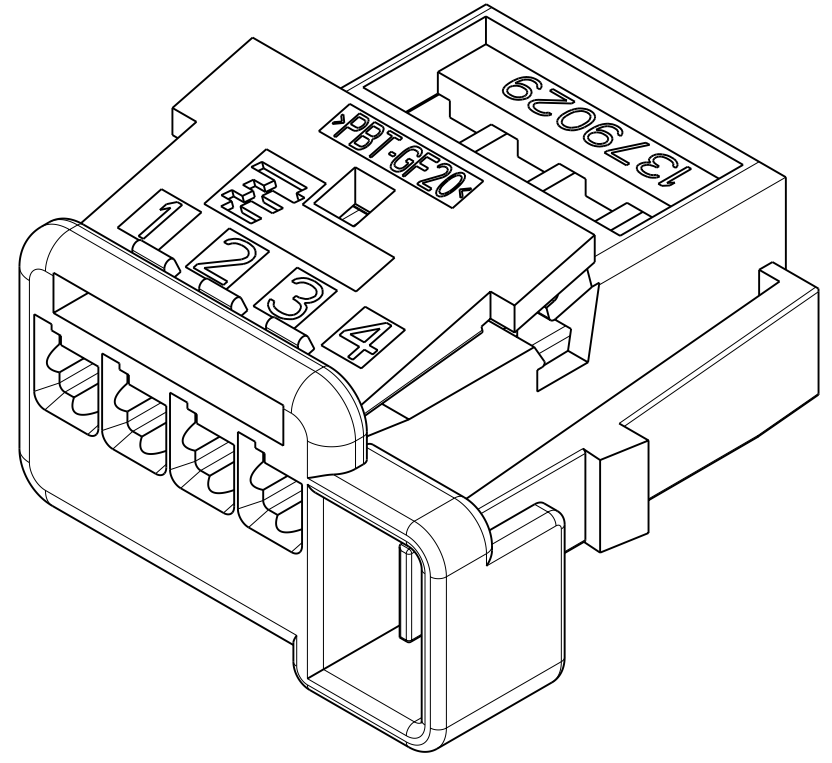
TABLE DE CODAGE - KEYING TABLE

COULEUR COLOUR	X1	X2	REF. TE TE PN
NOIR BLACK	(21) 8.7	(22) 1.4	1379029-1
BLANC WHITE	(23) 7.4	(24) 2.7	1379029-2
BLEU BLUE	(25) 6.1	(26) 4	1379029-3
JAUNE YELLOW	(27) 4.8	(28) 5.3	1379029-4
GRIS GREY	(29) 3.5	(30) 6.6	1379029-5
MARRON BROWN	(31) 2.2	(32) 7.9	1379029-6



NOTES :

- POSITION DES ALVEOLES SUIVANT INTERFACE TE 208-15592  
 INTERFACE ACCORDING TO TE 208-15592
- PIECE A UTILISER AVEC LE CLIP MQS 144969-x, 928999-x OU 963715-x  
 TO USE WITH MQS RECEPTACLE 144969-x, 928999-x OR 963715-x
- 1379029-1 REPRESENTE  
 1379029-1 AS SHOWN
- REPERE D'ALVEOLE  
 CAVITY IDENTIFICATION
- LOGO TE OR AMP  
 TE OR AMP STAMP
- MARQUAGE MATIERE  
 MATERIAL IDENTIFICATION
- MARQUAGE DU MOULE (OPTION)  
 MOLD IDENTIFICATION (OPTIONAL)
- INDICE DE REVISION DE MOULE (EMPLACEMENT OPTIONNEL)  
 MOLD REVISION NUMBER (OPTIONAL LOCATION)
- NUMERO D'EMPREINTE DE MOULE  
 MOLD CAVITY IDENTIFICATION NUMBER
- DATEUR (EMPLACEMENT OPTIONNEL)  
 DATE CODE (OPTIONAL LOCATION)
- REFERENCE TE  
 TE PN



THIS DRAWING IS A CONTROLLED DOCUMENT FOR TYCO ELECTRONICS CORPORATION IT IS SUBJECT TO CHANGE AND THE CONTROLLING ENGINEERING ORGANIZATION SHOULD BE CONTACTED FOR THE LATEST REVISION. CE PLAN EST UN DOCUMENT CONTROLE PAR AMP INCORPORATED. IL EST SUSCEPTIBLE D'UNE REVISION. CONTACTER LE SERVICE TECHNIQUE D'AMP DE FRANCE POUR OBTENIR LA DERNIERE REVISION.		DWN/DESSINE O. LEMAIRE 13JAN00	TYCO Electronics France 95301 PONTOISE
DIMENSIONS: mm		CHK/VERIFIE J. LALANGE 14FEB00	NAME TITRE PORTE-CLIPS 4 VOIES MQS AVALOIR 4 POS. MQS RECEPTACLE HOUSING POSITIVE MATE
TOLERANCES UNLESS OTHERWISE SPECIFIED: (SUIV. NB DE DECIMALES) 0 P.LC/DEC. ± 1 P.LC/DEC. ± 2 P.LC/DEC. ±0.2 3 P.LC/DEC. ± 4 P.LC/DEC. ± ANGLES ±5°		APVD/APROUVE JJ. REVIL 14FEB00	
MATERIAL/MATIERE PBT GF20		PRODUCT SPEC SPEC. PRODUIT 108-15236	SIZE FORMAT A2
FINISH/FINITION		APPLICATION SPEC SPEC. APPLICATION 411-15635	CAGE CODE 00779
WEIGHT MASSE APPROX. 1.2g		DRAWING NO No PLAN C-1379029	RESTRICTED TO RESERVE A -
CUSTOMER DRAWING /PLAN CLIENT		UNIQUEMENT POUR REFERENCE	SCALE ECHELLE 5:1
		SHEET FEUILLE 1	OF DE 1
		REV B	