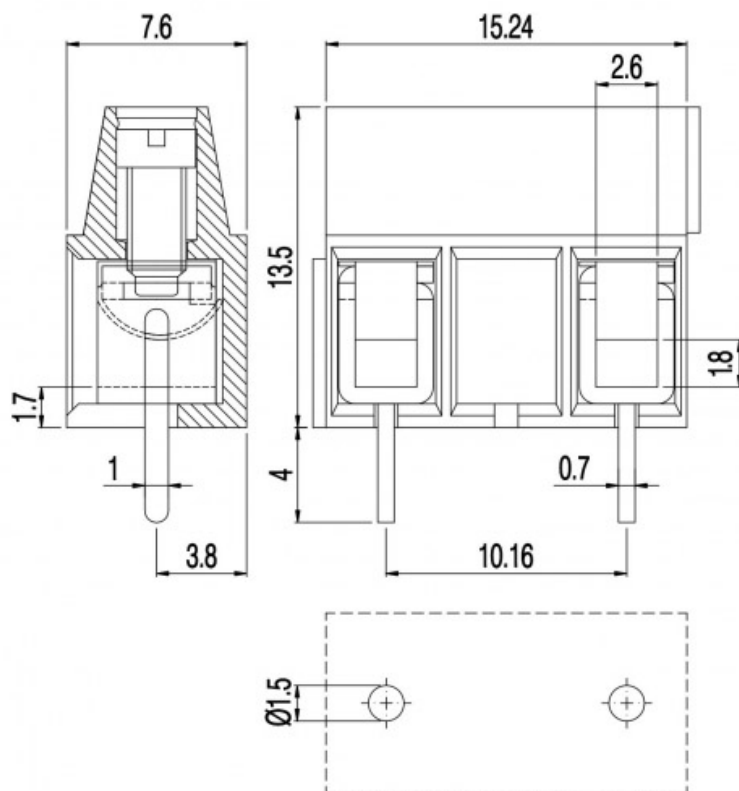


MVES15x-10,16-V euroclamp



Single-deck terminal block - Modular version - Pitch 10,16mm - 1÷2 poles ,16-V

GENERAL INFORMATION

pitch:	10,16 mm
housing height:	13,50 mm
housing depth:	7.6 mm
dimensional class:	slow
wire section:	1.5 mm ² / 16 AWG
clamp opening size:	2.6 × 2.6 mm
wire stripping:	max 7 mm
operating temperature:	-40°C ÷ +130°C

ELECTRICAL CHARACTERISTICS

current:	17.5A
voltage:	750V
test voltage:	7 kVrms/60s

MECHANICAL CHARACTERISTICS

screw:	M2.5
max. torque:	0.4 Nm / 3.6 in.lbs

APPROVALS DATA



EN 60998-1



-



UL 1059

17.5A factory / 10A field

current: 17.5A

-

voltage: 750V

-

600V

wire section: 1.5mm²

-

16÷30AWG

torque: 0.4Nm

-

3.6Lb-in

FILE: EP151

-

E178356

MATERIALS

housing: PA - UL 94 V0
screw: Galvanized steel
clamp/spring: Tin-plated copper alloy
terminal: Tin-plated copper alloy

AVAILABLE COLOURS



other colours:

upon request

poles	P/N	pcs/pack	W [Kg]*	W [Kg]*
1	MVES151-10,16-V	N/A	N/A	N/A
2	MVES152-10,16-V	N/A	N/A	N/A
..	MVES15..-10,16-V	N/A	N/A	N/A