

## STANDARD PITCH

**NEW**

### HARTING type SEK18

A comprehensive series of industry compatible, Class 2 insulation displacement connectors (IDC) for applications which require a high performance level. Reliability is assured by use of gold plated contacts and grey PBTP moulded bodies, flame retardant to UL94V-0. Designed for use with 0.05in. (1.27mm) pitch ribbon cable to provide a quick and easy connection system. Suitable cable shown on page 173.

#### Specification

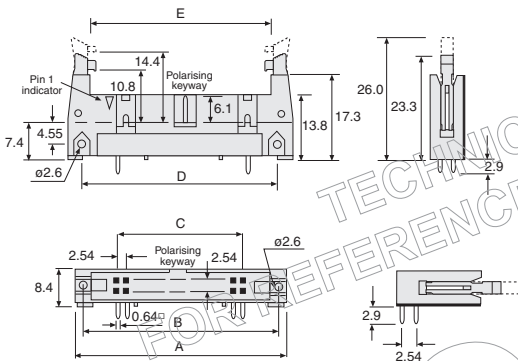
Contacts..... Phosphor bronze, gold plated on contact area, tinned on termination area  
 Contact performance ..... Level 2 as per DIN41651 part 2  
 200 mating cycles, 4 days gas test  
 Body..... Grey thermoplastic resin (PBTP)  
 flame retardant to UL94V-0  
 Current rating ..... 1A  
 Proof voltage ..... 1000Vac  
 Contact resistance (max) ..... 20mΩ  
 Insulation resistance (min) ..... 10<sup>9</sup>Ω  
 Operating temperature range..... -55°C to +125°C

- ◆ Comprehensive series
- ◆ Gold plated contacts
- ◆ Grey flame retardant bodies
- ◆ Industry compatible
- ◆ **Class 2** mating level
- ◆ High performance
- ◆ Option of long or short latches
- ◆ Ribbon cable available

#### Dimensions (mm)

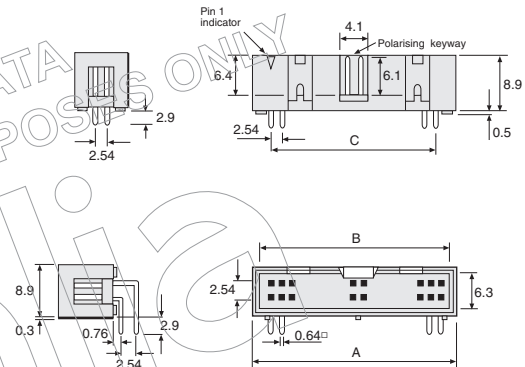


#### PCB PLUGS - Latched headers



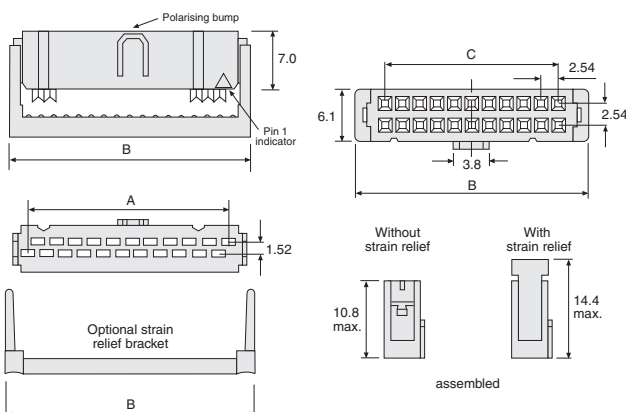
WAYS	A	B	C	D	E
6	26.9	22.86	5.08	16.76	12.45
10	32.0	27.94	10.16	21.84	17.53
14	37.1	33.02	15.24	26.92	22.61
16	39.6	35.56	17.78	29.46	25.15
20	44.7	40.64	22.86	34.54	30.23
26	52.3	48.26	30.48	42.16	37.85
34	62.5	58.42	40.64	52.32	48.01
40	70.1	66.04	48.26	59.94	55.63
50	82.8	78.74	60.96	72.64	68.33
60	95.5	91.44	73.66	85.34	81.03
64	100.6	96.52	78.74	90.42	86.11

#### PCB PLUGS - Boxed headers



WAYS	A	B	C
6	15.2	12.78	5.08
10	20.3	17.86	10.16
14	25.4	22.94	15.24
16	27.9	25.48	17.78
20	33.0	30.56	22.86
26	40.6	38.18	30.48
34	50.8	48.34	40.64
40	58.4	55.96	48.26
50	71.3	68.66	60.96
60	84.0	81.36	73.66
64	89.1	86.44	78.74

#### CABLE SOCKETS

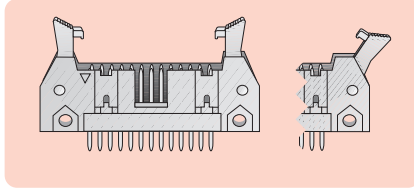


WAYS	A	B	C
6	6.4	12.2	5.08
10	11.4	17.3	10.16
14	16.5	22.4	15.24
16	19.1	24.9	17.78
20	24.1	30.0	22.86
26	31.8	37.6	30.48
34	41.9	47.8	40.64
40	49.5	55.4	48.26
50	62.2	68.1	60.96
60	74.9	80.8	73.66
64	80.0	85.9	78.74

## PCB PLUGS - Latched headers

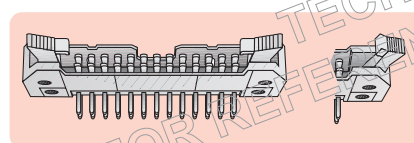
Choice of mounting position with Class 2 gold plated contacts.  
Option of long lever latches to accommodate strain relief bracket on cable sockets, or short lever versions for use with cable sockets without strain relief bracket.

### Straight



Type	Short levers	Long levers
	Manf. Part No. & anglia Order Code	Manf. Part No. & anglia Order Code
6 way	0918-506-6914	0918-506-6904
10 way	0918-510-6914	0918-510-6904
14 way	0918-514-6914	0918-514-6904
16 way	0918-516-6914	0918-516-6904
20 way	0918-520-6914	0918-520-6904
26 way	0918-526-6914	0918-526-6904
34 way	0918-534-6914	0918-534-6904
40 way	0918-540-6914	0918-540-6904
50 way	0918-550-6914	0918-550-6904
60 way	0918-560-6914	0918-560-6904
64 way	0918-564-6914	0918-564-6904

### Right Angle

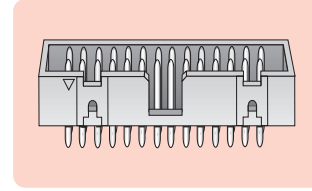


Type	Short levers	Long levers
	Manf. Part No. & anglia Order Code	Manf. Part No. & anglia Order Code
6 way	0918-506-6913	0918-506-6903
10 way	0918-510-6913	0918-510-6903
14 way	0918-514-6913	0918-514-6903
16 way	0918-516-6913	0918-516-6903
20 way	0918-520-6913	0918-520-6903
26 way	0918-526-6913	0918-526-6903
34 way	0918-534-6913	0918-534-6903
40 way	0918-540-6913	0918-540-6903
50 way	0918-550-6913	0918-550-6903
60 way	0918-560-6913	0918-560-6903
64 way	0918-564-6913	0918-564-6903

## PCB PLUGS - Boxed headers

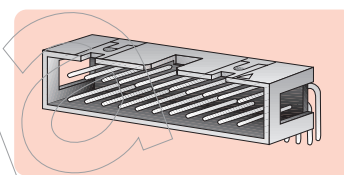
Choice of mounting position with Class 2 gold plated contacts.

### Straight



Type	Manf. Part No. & anglia Order Code
6 way	0918-506-6324
10 way	0918-510-6324
14 way	0918-514-6324
16 way	0918-516-6324
20 way	0918-520-6324
26 way	0918-526-6324
34 way	0918-534-6324
40 way	0918-540-6324
50 way	0918-550-6324
60 way	0918-560-6324
64 way	0918-564-6324

### Right Angle

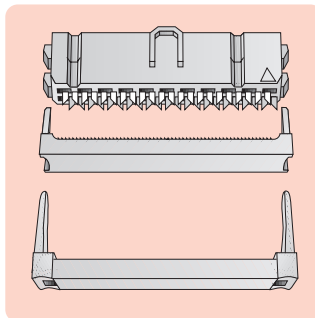


Type	Manf. Part No. & anglia Order Code
6 way	0918-506-6323
10 way	0918-510-6323
14 way	0918-514-6323
16 way	0918-516-6323
20 way	0918-520-6323
26 way	0918-526-6323
34 way	0918-534-6323
40 way	0918-540-6323
50 way	0918-550-6323
60 way	0918-560-6323
64 way	0918-564-6323

Surface mount compatible versions are also available

## CABLE SOCKETS

Option of with or without strain relief bracket. Contacts Class 2 gold plated. Centre bump polarised.



Type	Without strain relief	With strain relief
	Manf. Part No. & anglia Order Code	Manf. Part No. & anglia Order Code
6 way	0918-506-6803	0918-506-6813
10 way	0918-510-6803	0918-510-6813
14 way	0918-514-6803	0918-514-6813
16 way	0918-516-6803	0918-516-6813
20 way	0918-520-6803	0918-520-6813
26 way	0918-526-6803	0918-526-6813
34 way	0918-534-6803	0918-534-6813
40 way	0918-540-6803	0918-540-6813
50 way	0918-550-6803	0918-550-6813
60 way	0918-560-6803	0918-560-6813
64 way	0918-564-6803	0918-564-6813

Strain relief brackets are also available separately