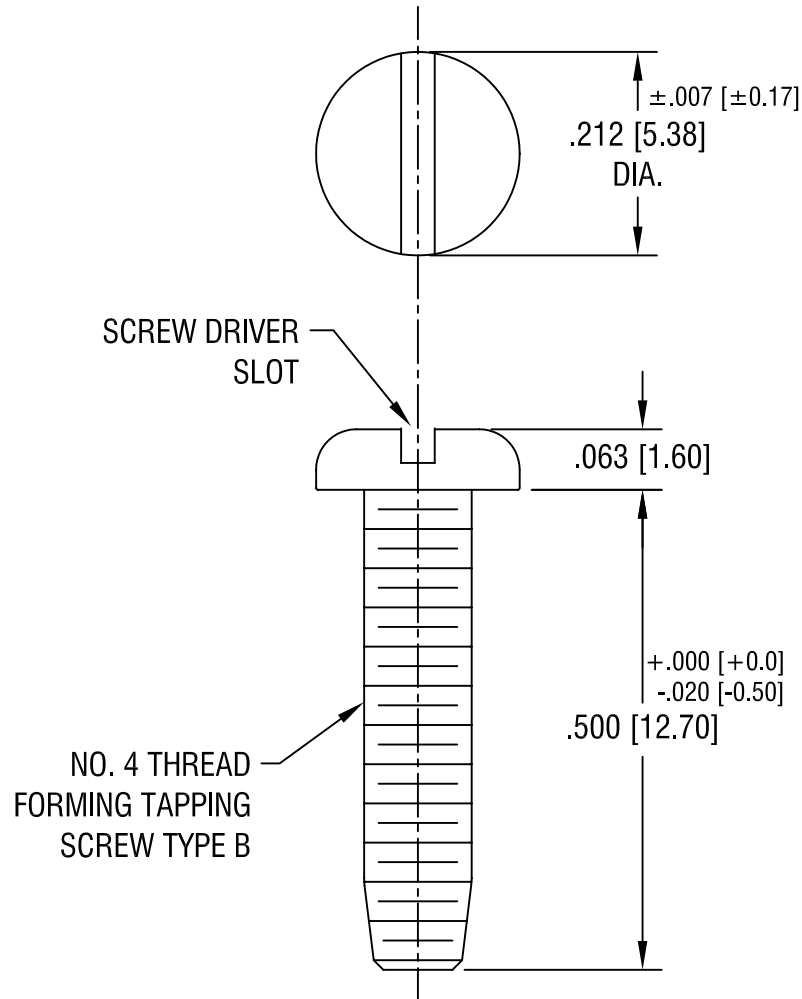


THIS DOCUMENT IS THE PROPERTY OF  
KEYSTONE ELECTRONICS CORP. AND  
SHALL NOT BE REPRODUCED, DISTRIBUTED  
OR USED AS A BASIS FOR MANUFACTURE  
WITHOUT PRIOR WRITTEN PERMISSION  
FROM KEYSTONE ELECTRONICS CORP.



<b>KEYSTONE ELECTRONICS CORP.</b>			
ASTORIA, N.Y. 11105-2017			
PART NAME			
NO. 4 PAN HEAD SCREW			
MATERIAL			
STEEL			
FINISH		DRN BY	DATE
BRIGHT ZINC		BOONE	12.30.93
		APPD	SCALE
			5X
TOLERANCES	INCH [MM]	CODE	DWG NO.
DECIMAL	± .005 [± 0.15]	C	<b>4697</b>
ANGULAR	± 1°		
UNLESS OTHERWISE SPECIFIED			

11.4.03 CHANGE AS PER ECN 03-080

A

DATE	DESCRIPTION	REV.
------	-------------	------