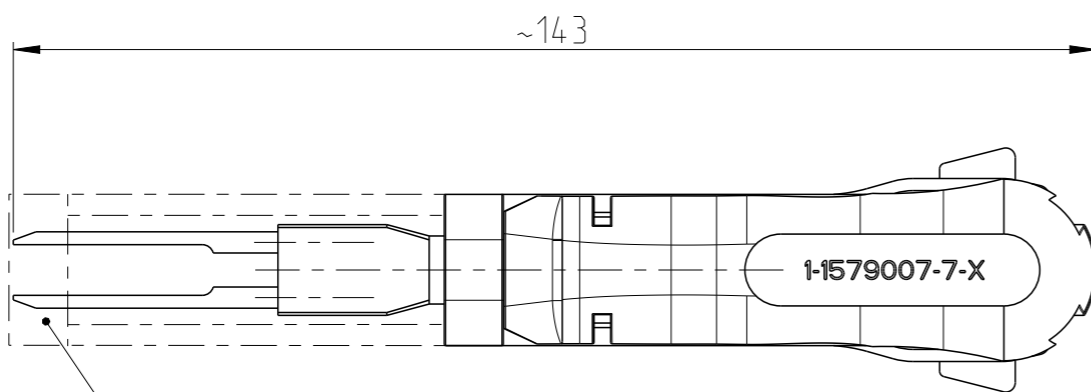
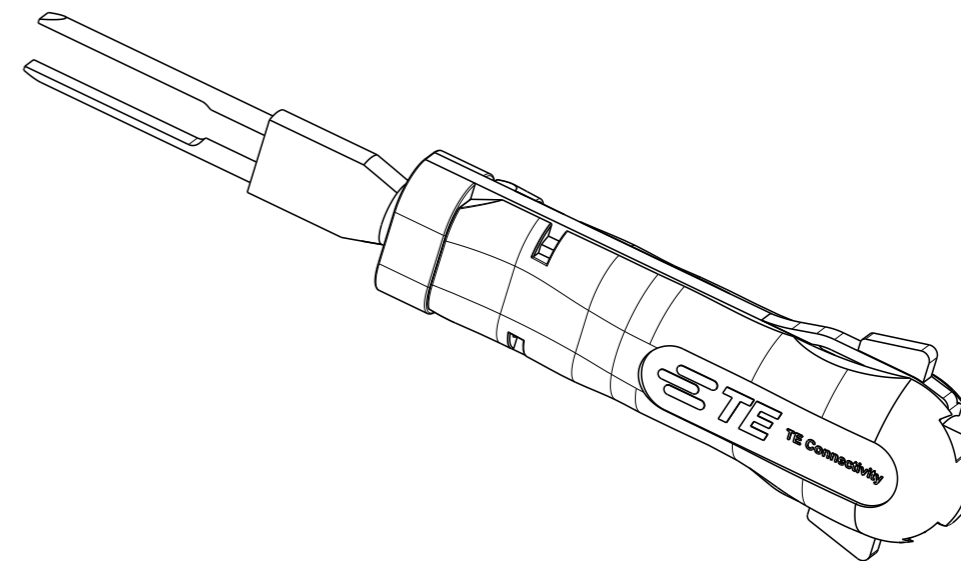
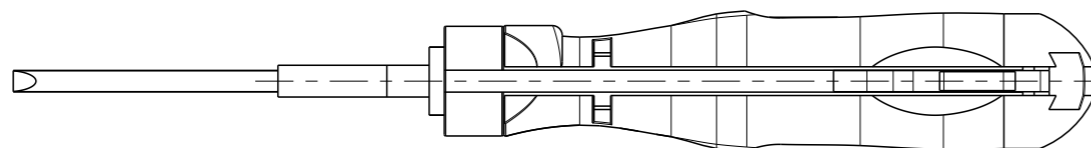
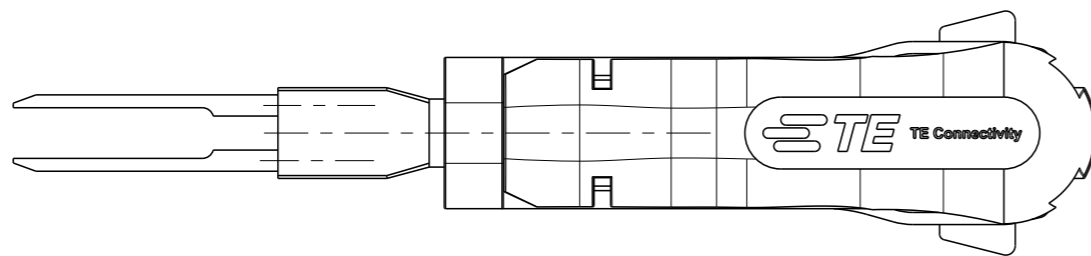


REVISIONS

P	LTR	DESCRIPTION	DATE	DWN	APVD
	B	ECR-19-009167	12 JUN19	AM	RG




COVER SLIDE
Schutzschieber

Anwendungsbereich / APPLICATION RANGE

Terminal: MPT; AMP MCP 9.5 TAB

Housing: MPT; MCP 9.5mm P/N 1743797

(REPLACEMENT FOR TOOLS 539963-1, 726551-1)

THIS DRAWING IS A CONTROLLED DOCUMENT.		DWN J.ZAJICEK	07APR2003	 TE Connectivity											
DIMENSIONS: mm		CHK	-												
TOLERANCES UNLESS OTHERWISE SPECIFIED:		APVD	-	NAME EXTRACTION TOOL Entriegelungswerkzeug											
<table border="0"> <tr><td>0 PLC</td><td>±</td></tr> <tr><td>1 PLC</td><td>±</td></tr> <tr><td>2 PLC</td><td>±</td></tr> <tr><td>3 PLC</td><td>±</td></tr> <tr><td>4 PLC</td><td>±</td></tr> <tr><td>ANGLES</td><td>±</td></tr> </table>		0 PLC	±			1 PLC	±	2 PLC	±	3 PLC	±	4 PLC	±	ANGLES	±
0 PLC	±														
1 PLC	±														
2 PLC	±														
3 PLC	±														
4 PLC	±														
ANGLES	±														
MATERIAL		APPLICATION SPEC	-	SIZE	A3										
FINISH		WEIGHT	0.048 kg	CAGE CODE	00779										
		CUSTOMER DRAWING		DRAWING NO	1-1579007-7										
		SCALE		1:1	SHEET										
				1 OF 1	REV										
					B										