

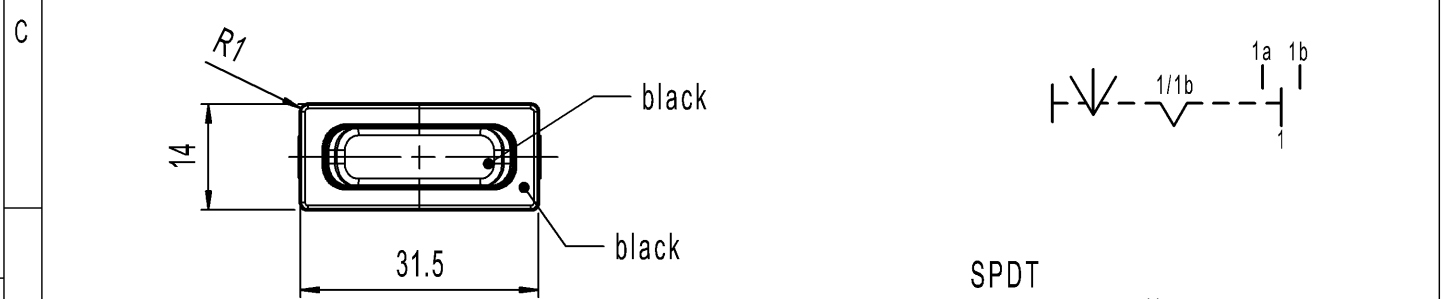
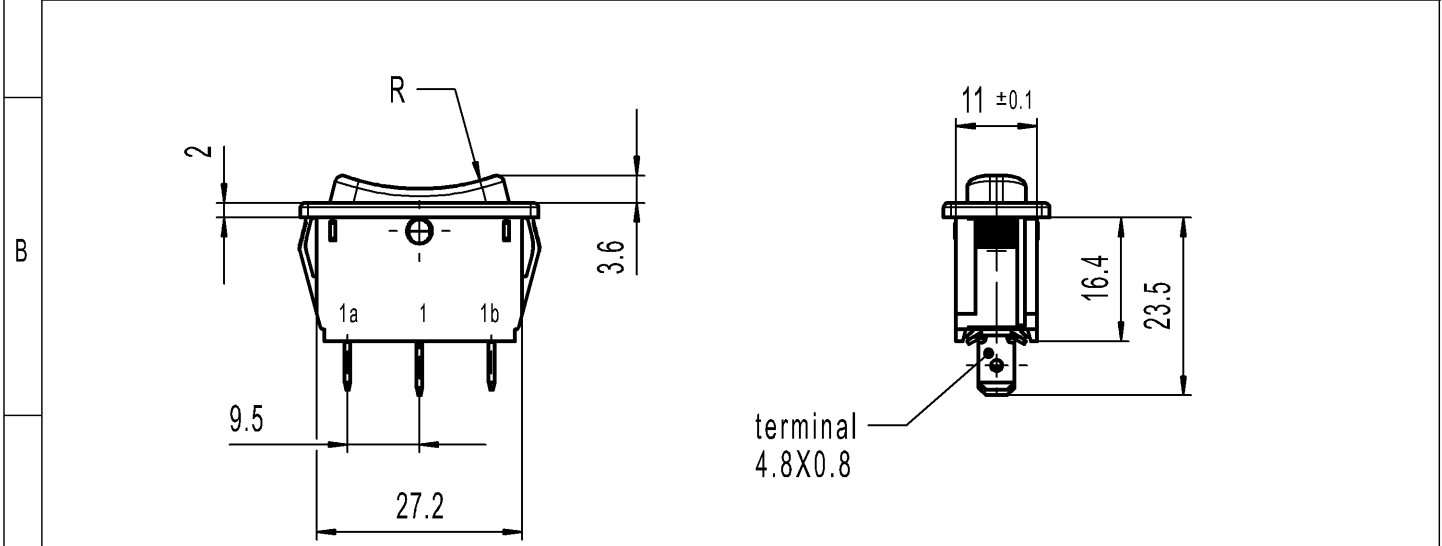
CONFIDENTIAL

VERTRAULICH

THIS DRAWING IS THE EXCLUSIVE PROPERTY OF MARQUARDT. WITHOUT THEIR CONSENT IT MAY NOT BE REPRODUCED OR GIVEN TO THIRD PARTIES.

Alle Rechte bei Marquardt, auch fuer den Fall von Schutzrechtsanmeldungen. Jede Veruegungsbefugnis, wie Kopier- und Weitergaberecht, bei uns.

A	recommended cut-out for snap-in fixing (edge opposite to snap-in direction)	1	2	3	4
		wall thickness	length of cut-out	width of cut-out	
		0.75 to 1.25	30 -0.1	11+0.1	
		1.25 to 2	30.2 -0.1	11+0.1	
		2 to 3	30.6 -0.1	11+0.1	



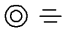
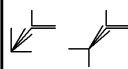
SPDT
With centre-off
Suitable for appliances of class II

Marking

 1838.
 6(4)/250~T105/55

 6A 125-250V AC
 1/8 HP
 R58 
 Code of manufacture: place/year/week



-	-	-	1838.1602-XX
Figure	Type	Customer Part No.	Art.No.-PI
Shape and location	Angle ± 2 °	Sheet 01	Ident. K
	Edge tolerance	Format DIN A4	Document number 18381602
 	Length	Projection	Index f
	Radii	Scale 1:1	Appliance Switch
f	141194	All dimensions are in millimetres	
e	29986	System NX V1899	
d	29631	Replacement of	
c	17418	Zg.gl.Nr.v.14.07.1983	
Index	MEC-No.	MARQUARDT	