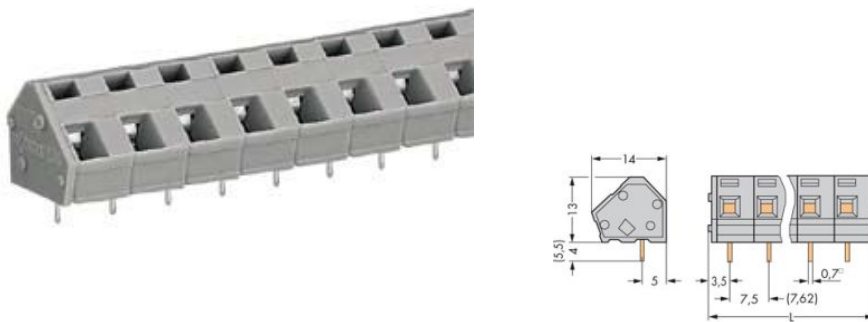


Item no.: 236-206  
 Product description: PCB TERMINAL STRIP 1 SOLDER PIN / POLE REAR 6 POLE  
 PIN SPACING 7.5/7.62 MM / 0.3 IN



Produkt kann von Bild abweichen / product may differ

Packing unit 100 4\*25 pieces

RoHS compliant

Product group	4 (Printed Circuit)
Weight	6.516 g
Color	gray
No. of connection Points	6
No. of potentials	6
pole count	6
Height	13 mm
Height	0.512 in
Width	47.3 mm
Width	1.862 in
Depth	14 mm
Depth	0.551 in
Pin spacing from	7.5 mm
Pin spacing up to	7.62 mm
Pin spacing from	0.295 in
Pin spacing up to	0.3 in
Pollution degree	2
Measured voltage EN	630 V
Measured shock voltage	6 kV

Current intensity EN  
Pollution degree  
Measured voltage EN

24 A  
2  
1000 V



Measured shock voltage	6 kV
Current intensity EN	24 A
Connection method	CAGE CLAMP® CONNECTION
Cross section [mm²]	0.08 - 2.5 mm²
Wiring method	solid
Cross section [mm²]	0.08 - 2.5 mm²
Cross section [mm²]	0.25 - 1.5 mm²
Cross section [mm²]	0.25 - 1.5 mm²
Cross section [AWG]	28 - 12 AWG
Strip length from	5 mm
Strip length to	6 mm
Material group	I
xxx-xxx/000-004	black
xxx-xxx/000-006	blue
xxx-xxx/000-008	dark gray
xxx-xxx/000-009	light gray
xxx-xxx/000-012	orange
xxx-xxx/000-017	light green
xxx-xxx/000-023	green
xxx-xxx/332-xxx	with 2 solder pins/pole and 5,5 mm long solder pins
xxx-xxx/334-000	with 2 solder pins/pole and 3,6 mm long solder pins



Item no.	Admission office	Approval no.	Voltage [V]	Current [A]	Cross section [ mm <sup>2</sup> ]
236-206	BV	11915/BO	800/400	16	0,08-2,5
236-206	CCA	NL6247	400	24	0,08-2,5
236-206	CSA	154112-1673957	300	15	28-12
236-206	DNV	E-9215	400	16	0,5-2,5
236-206	GL	17296-00HH	800/400	16	0,5-2,5
236-206	KEMA	2110204.01	400	24	0,08-2,5
236-206	RMR	11130002	400	16	0,5-2,5
236-206	UR	E45172	300	10	28-12

Sorting criteria: admission office - approval number

© WAGO Kontakttechnik GmbH & Co. KG

Specifications are subject to changes and errors may be expected