

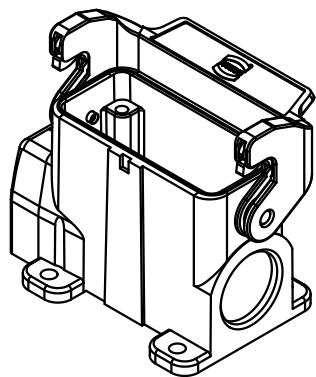
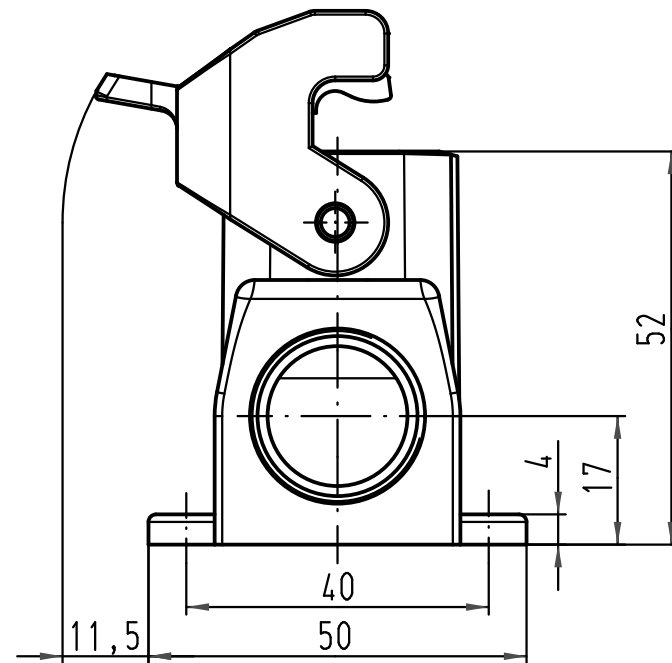
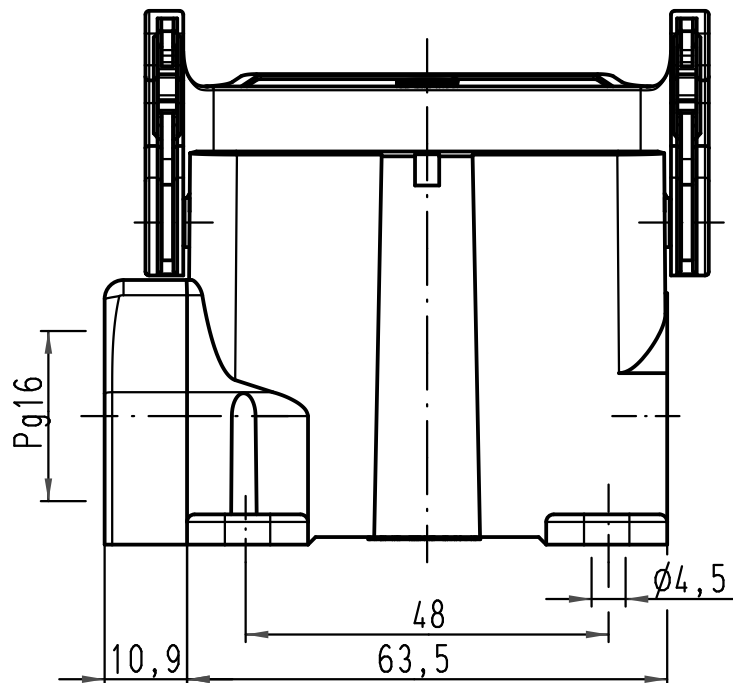
1 2 3 4 5 6

A

B

C

D



All Dimensions in mm Original Size DIN A 4		Techn. Character.		Nicht tolerierte Maß/Free size tolerances	
			Dat.	Name	Han 10A-asg1-LB-16 Sockelgehäuse <i>housing surface mounting</i>
		Detail.	13.04.10	Ho	
		Insp.		Be	
		Stand.			
				Maßstab/Scale	1:1
A					
Mod.	Dat.	Name	HARTING Electric GmbH & Co. KG D-32339 Espelkamp		TB 09 20 010 0251 Sub. TB 09 20 010 0251 v. 15.09.94
					Blatt/ page

Mouser Electronics

Authorized Distributor

Click to View Pricing, Inventory, Delivery & Lifecycle Information:

[HARTING:](#)

[09200100251](#)