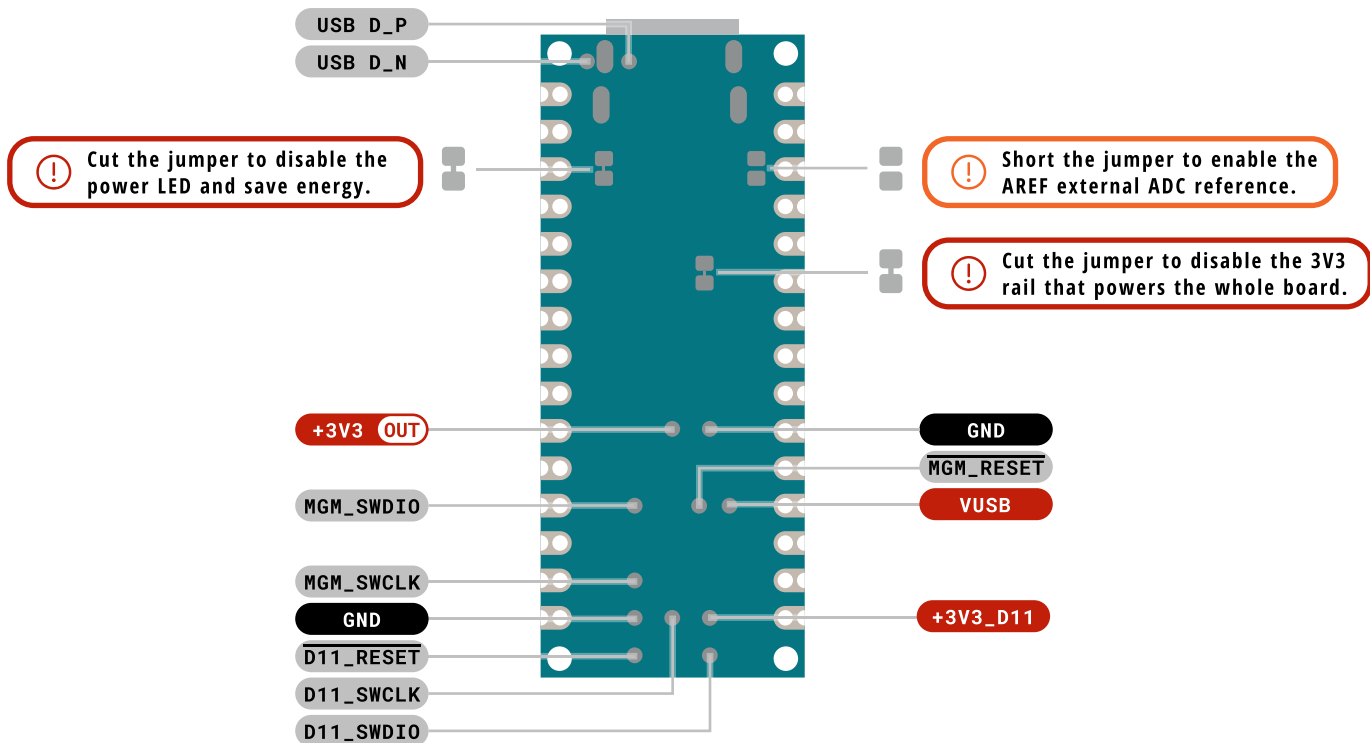


Legend:	■ Digital	■ SPI	D Default
■ Power	□ Analog	■ UART/USART	
■ Ground	■ I2C	 Not Connected	



Nano Matter
SKU code: ABX00112
Full Pinout
Last update: 14 Nov, 2024



Legend:	■ Digital	■ SPI	D Default
■ Power	□ Analog	■ UART/USART	
■ Ground	■ I2C	□ Not Connected	



Nano Matter
 SKU code: ABX00112
 Full Pinout
 Last update: 14 Nov, 2024