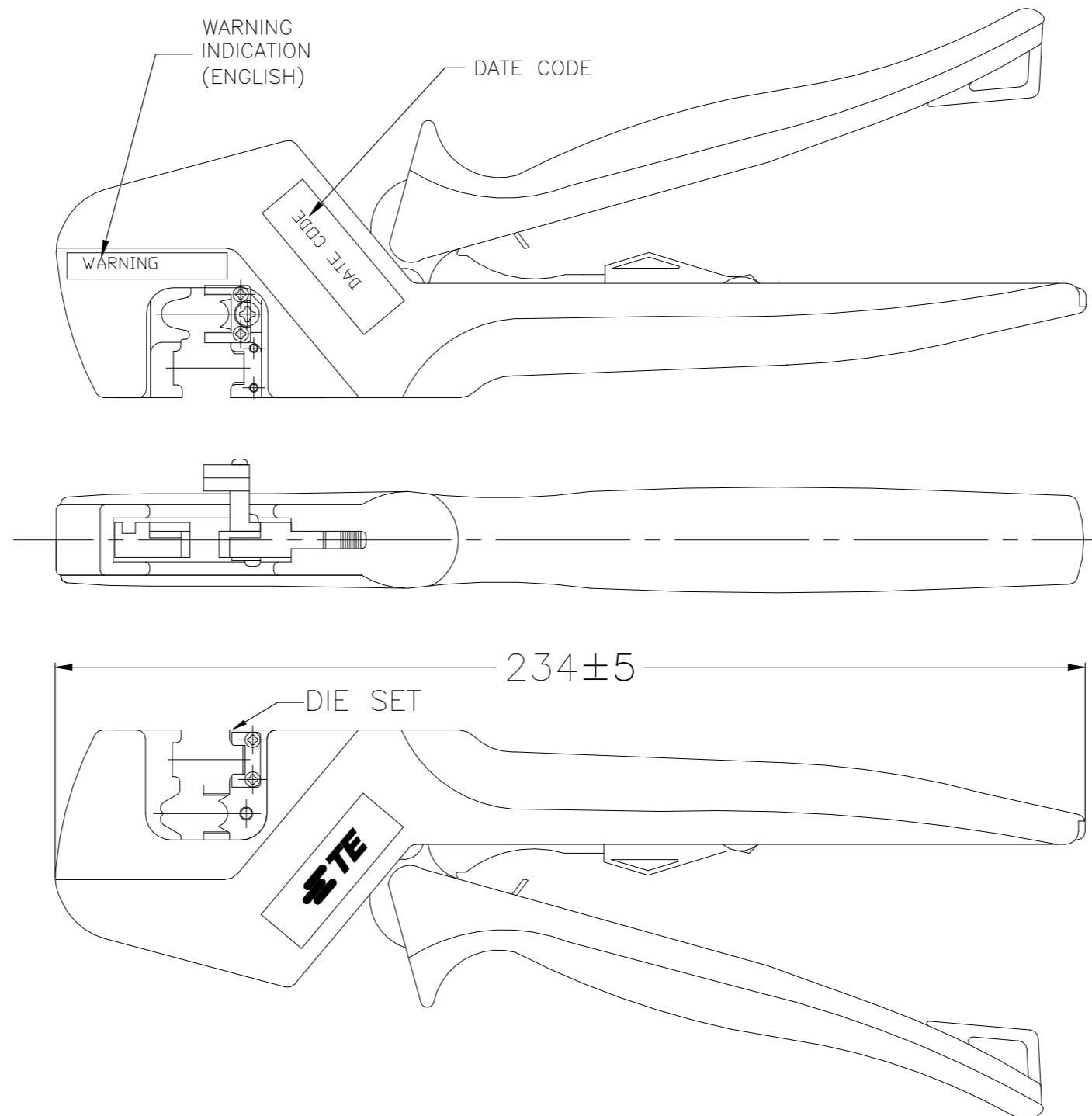
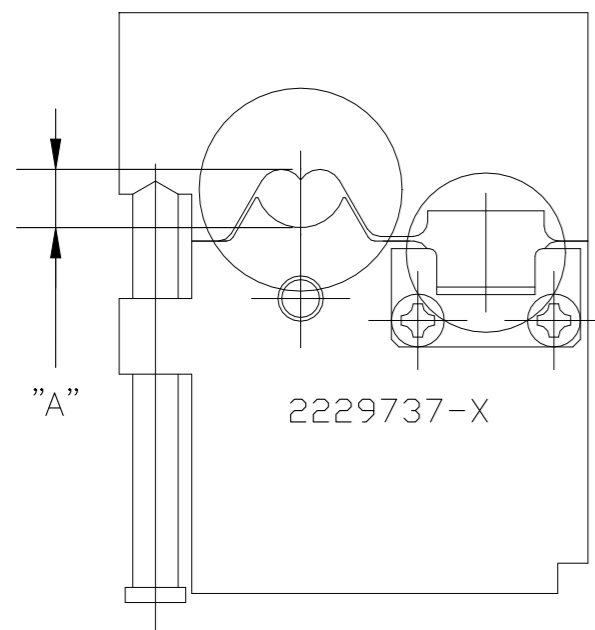


REVISIONS

P	LTR	DESCRIPTION	DATE	DWN	APVD
	A1	-2 VARIANT ADDED	03FEB2021	SS	KP



DIMENSIONS OF CLOSED DIE



4.65±0.05	2229737-2
3.85±0.05	2229737-1
DIMENSION "A"	TEPN

THIS DRAWING IS A CONTROLLED DOCUMENT.		DWN S.SHARMA 10DEC2019	<b>STE</b> TE Connectivity		
DIMENSIONS: mm		CHK J.DE BRUIJN 10DEC2019			
TOLERANCES UNLESS OTHERWISE SPECIFIED:		APVD J.DE BRUIJN 10DEC2019	NAME INDUSTRIAL MINI I/O PIERCING TYPE HAND TOOL		
0 PLC ± -		PRODUCT SPEC	APPLICATION SPEC		
1 PLC ± -		WEIGHT 460 GR		SIZE A3	CAGE CODE 00779
2 PLC ± -		CUSTOMER DRAWING		DRAWING NO C-2229737	RESTRICTED TO
3 PLC ± -		SCALE NTS		SHEET 1 OF 1	REV A1
4 PLC ± -					
ANGLES ± -					
FINISH -					