

Square mounting flange - SF-Z0068



1620927

<https://www.phoenixcontact.com/sk/products/1620927>

Please be informed that the data shown in this PDF document is generated from our Online Catalog. Please find the complete data in the user documentation. Our General Terms of Use for Downloads are valid.



Square mounting flange, 4xM3, flange dimensions: 38 mm x 38 mm, series: SF, Alternative product in accordance with RoHS II without Exemption 6c (Pb <0.1%) item no.: 1244326

Commercial Data

Item number	1620927
Packing unit	1 pc
Minimum order quantity	1 pc
Note	Made to Order (non-returnable)
Sales Key	ABR
Product Key	ABRCBZ
GTIN	4055626021607
Weight per Piece (including packing)	32.9 g
Weight per Piece (excluding packing)	30.5 g
Customs tariff number	74198090
Country of origin	DE

Square mounting flange - SF-Z0068



1620927

<https://www.phoenixcontact.com/sk/products/1620927>

Technical Data

Product properties

Product type	Mounting material
Series	SF
	SH

Dimensions

Housing

Flange dimensions	38 mm x 38 mm
-------------------	---------------

Mounting

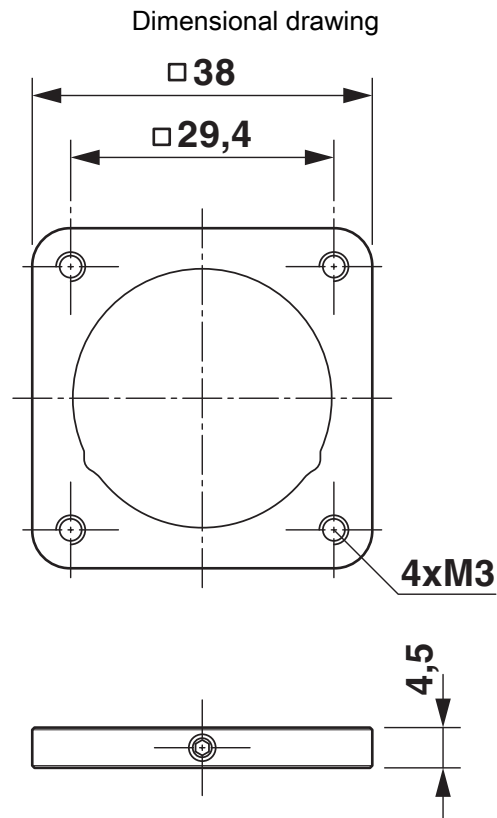
Mounting	4x M3
----------	-------

Square mounting flange - SF-Z0068

1620927

<https://www.phoenixcontact.com/sk/products/1620927>

Drawings



Dimensional drawing

Square mounting flange - SF-Z0068

1620927

<https://www.phoenixcontact.com/sk/products/1620927>



Approvals



EAC

Approval ID: B.01687

Square mounting flange - SF-Z0068



1620927

<https://www.phoenixcontact.com/sk/products/1620927>

Classifications

ECLASS

ECLASS-9.0	27440210
ECLASS-10.0.1	27440210
ECLASS-11.0	27440210

ETIM

ETIM 8.0	EC002310
----------	----------

UNSPSC

UNSPSC 21.0	39121400
-------------	----------

Square mounting flange - SF-Z0068



1620927

<https://www.phoenixcontact.com/sk/products/1620927>

Environmental Product Compliance

REACH SVHC	Lead 7439-92-1
China RoHS	Environmentally Friendly Use Period = 50 years For information on hazardous substances, refer to the manufacturer's declaration available under "Downloads"

Phoenix Contact 2023 © - all rights reserved

<https://www.phoenixcontact.com>

PHOENIX CONTACT s.r.o.

Námestie Mateja Korvína 1

811 07 Bratislava

+421 2 3210 1470

obchod.sk@phoenixcontact.com