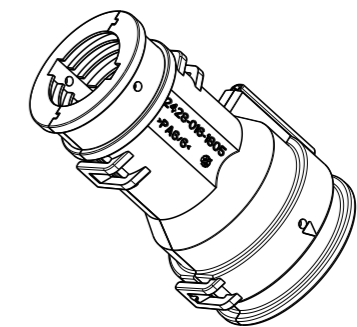
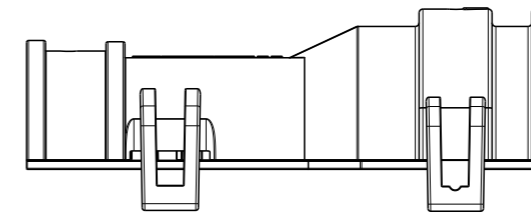
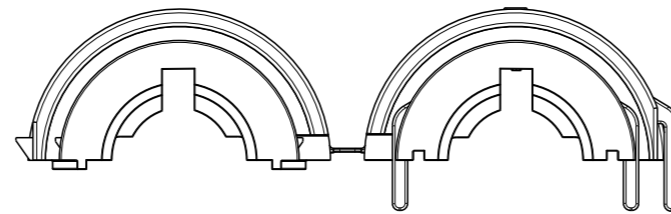
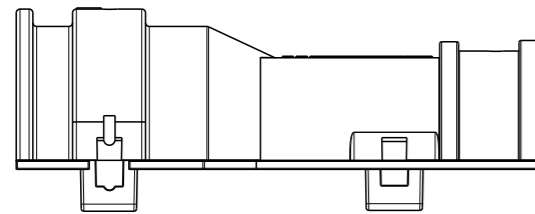
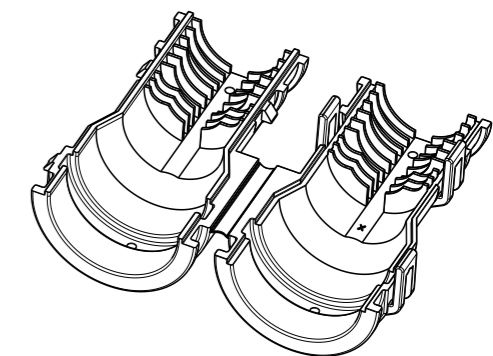
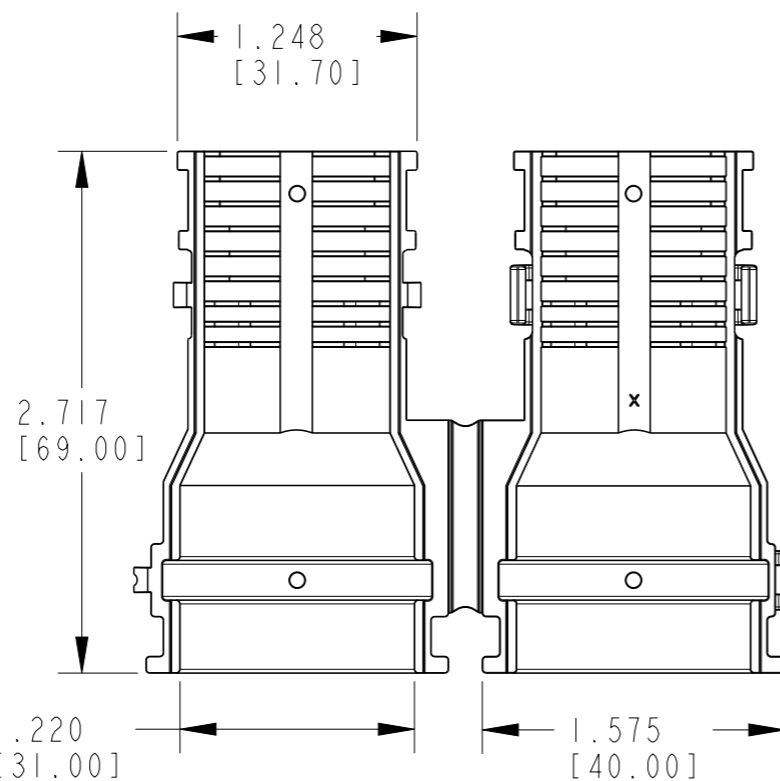


P	LTR	DESCRIPTION	DATE	DWN	APVD
NC		NEW RELEASE PER E.O. P18688	12NOV2007		RDR
A		REVISED PER E.O. P20010	10JAN2008		RDR
AI		REVISED PER PCN-22-153957	17MAY2022	SP	AW



**3-D VIEW**  
CLOSED



**3-D VIEW**  
OPEN

- 5. MATERIAL: PLASTIC; COLOR: BLACK
- 4. THIS PART IS MANUFACTURED BY DI-EU, GERMANY.
- 3. THIS PART ACCOMMODATES CORRUGATED TUBES SIZES NW 13, 17, AND 19.
- 2. THIS PART MATES WITH HDP24/26-18-xP/Sx-L017.
- 1. DELETED

NOTES:

THIS DRAWING IS A CONTROLLED DOCUMENT.		DWN	20OCT2004	TE Connectivity NAME STRAIGHT BACKSHELL 18 SIZE - HDP SERIES	
DIMENSIONS: INCHES		CHK	30SEP2008		
TOLERANCES UNLESS OTHERWISE SPECIFIED:		APVD	01OCT2008		
0 PLC ±- 1 PLC ±- 2 PLC ±- 3 PLC ±0.025[0.63] 4 PLC ±- ANGLES ±0° 30' 0"		PRODUCT SPEC	108-151015		
MATERIAL VYDYNE 47H PA 6/6		FINISH	-	APPLICATION SPEC	114-151015
		WEIGHT	20 g	SIZE	A3
		CUSTOMER DRAWING		CAGE CODE	00779
				DRAWING NO	2428-016-1805
				RESTRICTED TO	-
				SCALE	5:1
				SHEET	1 OF 1
				REV	AI